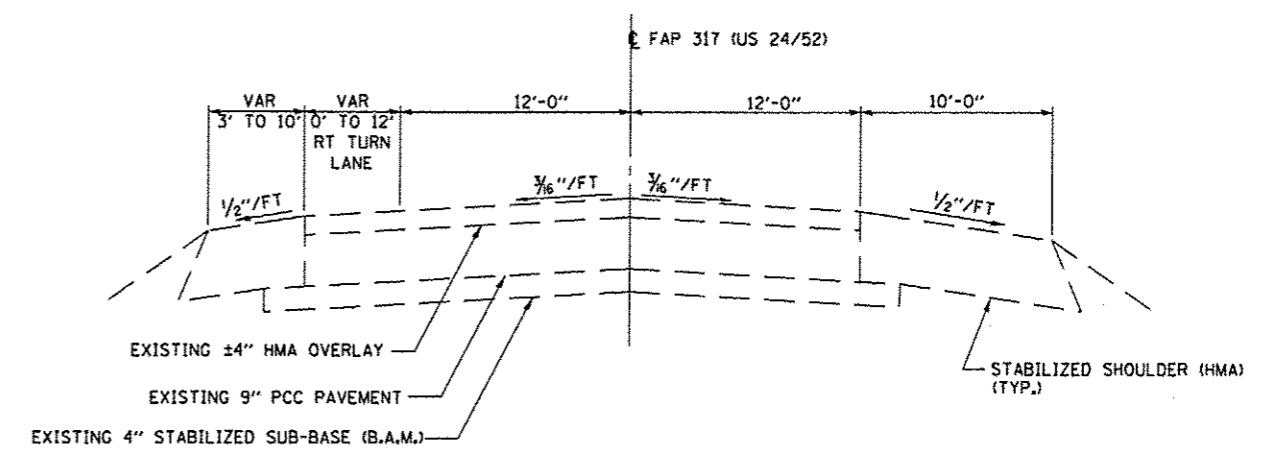
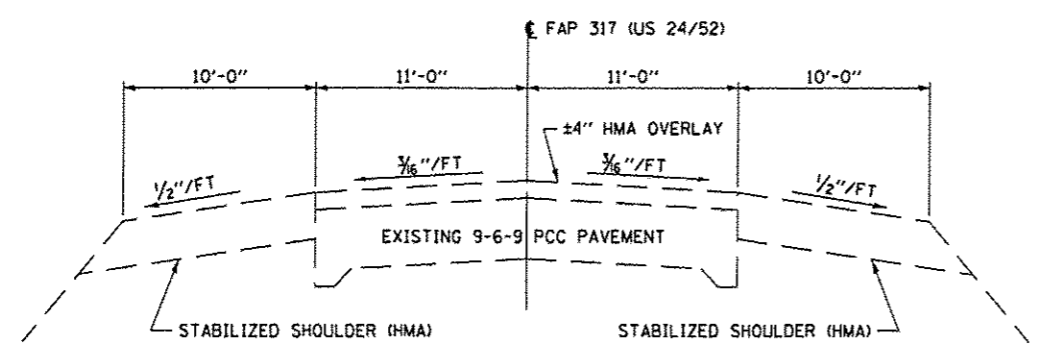


TYPICAL SECTION 4
STA 3005+12 TO STA 3017+80



TYPICAL SECTION 5
STA 3017+80 TO STA. 3037+42



TYPICAL SECTION 6
STA 3037+42 - STA 3042+83

FILE NAME =	USER NAME = woodhenkrl	DESIGNED - RW	REVISED -	STATE OF ILLINOIS DEPARTMENT OF TRANSPORTATION	TYPICAL SECTIONS	F.A.P. RTE.	SECTION	COUNTY	TOTAL SHEETS	SHEET NO.
ai\pwwork\pwwork\woodhenkrl\d0308589\366C37-details.dgn	DRAWN - RW	REVISED -	317			D3 PAVEMENT PATCHING 2013-6	IROQUOIS	8	5	
PLOT SCALE = 1/8" = 1' / in.	CHECKED -	REVISED -	CONTRACT NO. 66C37							
PLOT DATE = 7/9/2012	DATE -	REVISED -	ILLINOIS FED. AID PROJECT							
				SCALE:	SHEET 2 OF 3 SHEETS	STA.	TO STA.			