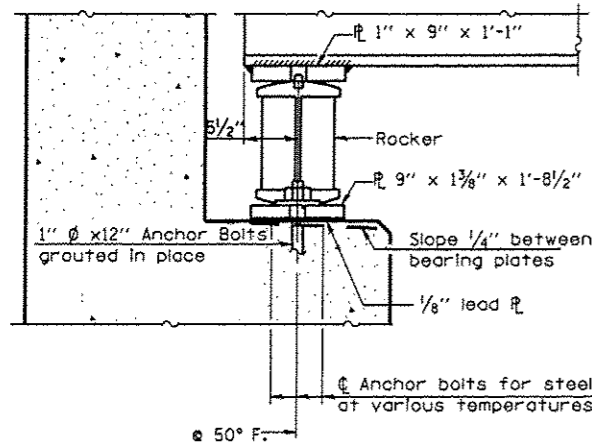
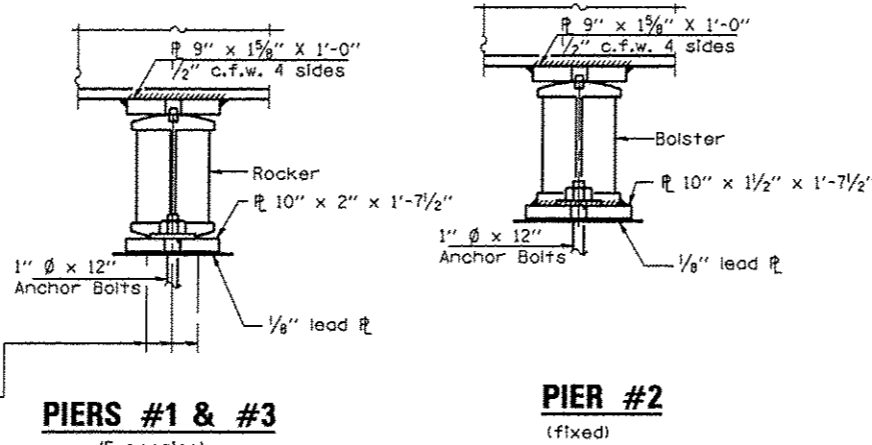


STEEL FRAMING PLAN
SN 046-0039 & SN 046-0040

⬡ REMOVE AND REPLACE EXISTING STEEL ROCKERS BEARINGS WITH ELASTOMERIC BEARINGS

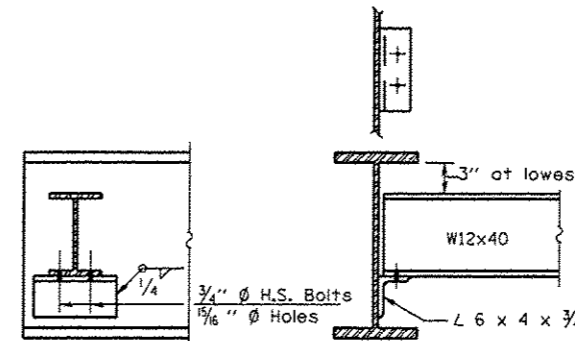


SECTION AT ABUTMENT

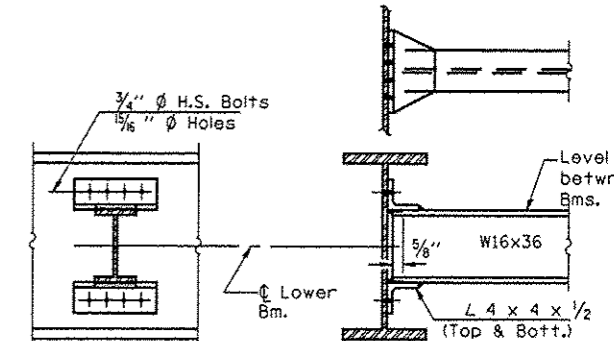


PIERS #1 & #3
(Expansion)

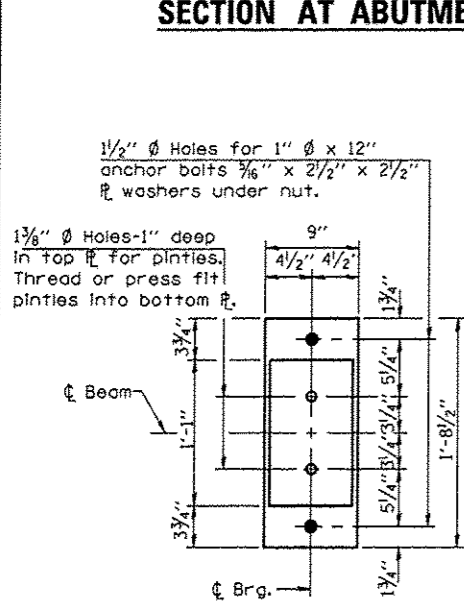
PIER #2
(fixed)



DIAPHRAGM D

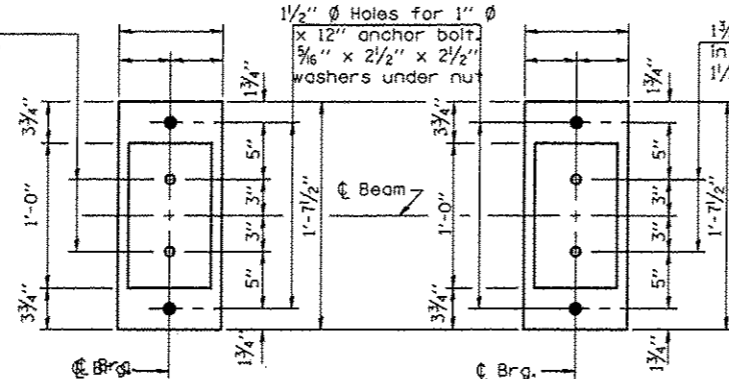


DIAPHRAGMS D1 & D2



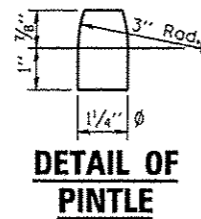
PLAN

1 3/8" ϕ Holes-1" deep in top ϕ for pintles. Thread or press fit pintles in bottom ϕ .

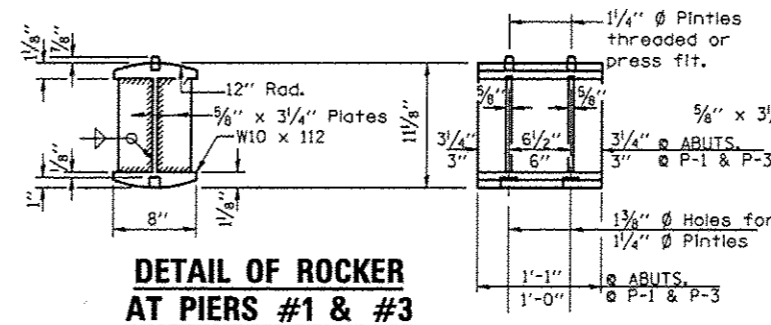


PLAN

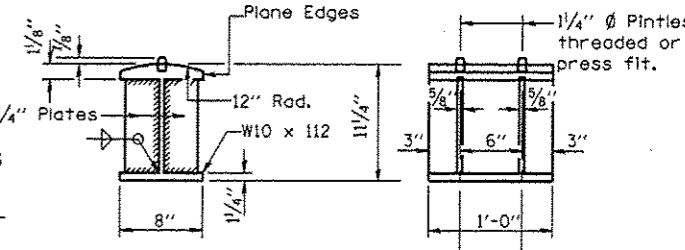
PLAN



DETAIL OF PINTLE



DETAIL OF ROCKER AT PIERS #1 & #3



DETAIL OF BOLSTER AT PIER #2

THIS SHEET FOR INFORMATION ONLY

FILE NAME =	USER NAME = woodshankr1	DESIGNED - RW	REVISED -	STATE OF ILLINOIS DEPARTMENT OF TRANSPORTATION	EXISTING BEARING DETAILS FOR STRUCTURE NO. 046-0039 (EB) & 046-0040 (WB)	F.A.P. RTE. 330	SECTION (IR-B1)-4	COUNTY KANKAKEE	TOTAL SHEETS 7	SHEET NO. 6	
al:\pe\work\p1\dot\woodshankr1\d03121410\066C46-shr-detals.dgn	DRAWN - RW	CHECKED -	REVISED -			SCALE: SHEET 1 OF 1 SHEETS STA. TO STA.	CONTRACT NO. 66C46		ILLINOIS FED. AID PROJECT		
PLOT SCALE = 100.0000' / 1"	DATE -	REVISED -	REVISED -								
MODELNAME =	PLOT DATE = 8/30/2012	DATE -	REVISED -								