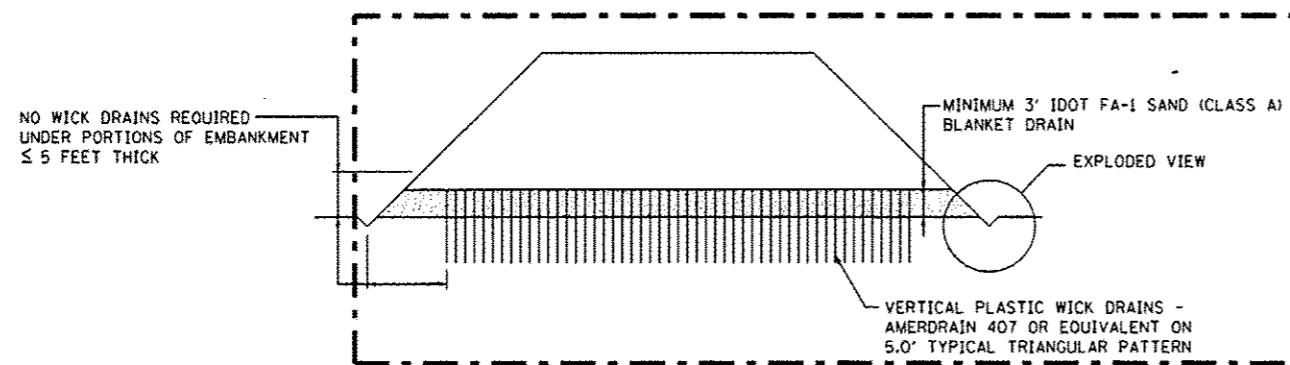
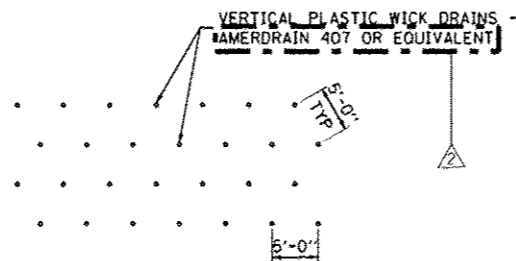


EXPLODED VIEW



ELEVATION VIEW



PLAN VIEW

NOTES

1. PLACE WICK DRAINS AT 5' TRIANGLE SPACING THROUGHOUT THE LIMITS SHOWN IN "LIMITS OF WICK DRAINS AND SAND BLANKET DRAIN" SHEET.
2. WICK DRAINS ARE REQUIRED TO EXTEND 15' BELOW THE EXISTING GROUND
3. WICK DRAINS PAID FOR AS WICK DRAINS
4. SAND BLANKET PAID FOR AS SAND BLANKET

FILE NAME *	DESIGNED - AJP	REVISED - 10/23/12 EJA
...ND46628-shr-tp-wick-drain-detail.dgn	DRAWN - TWB	REVISED -
USER NAME * jeebillo	CHECKED - JNR	REVISED -
PLOT DATE * 10/21/2012	DATE - JULY 20, 2012	REVISED -



**STATE OF ILLINOIS
DEPARTMENT OF TRANSPORTATION**

**TYPICAL WICK DRAIN & DRAINAGE
SAND BLANKET DETAIL**

SCALE: SHEET NO. 2 OF 2 SHEETS STA. TO STA.

F.A.J. RTE.	SECTION	COUNTY	TOTAL SHEETS	SHEET NO.
• 90-14Rn(14MB-4,14,14HVB)BR		TAZEWELL	2433	1473
ILLINOIS FED. AID PROJECT			CONTRACT NO. 68620	