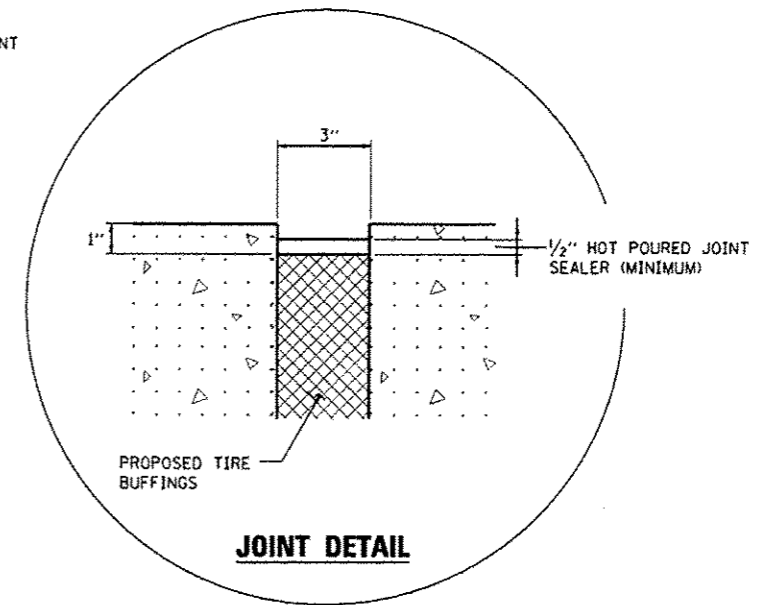


EXPANSION JOINT DETAIL



JOINT DETAIL

DETAIL A

GENERAL NOTES:

1. ALL WORK SHALL BE DONE AS DIRECTED BY THE ENGINEER.
2. USE BUFFINGS FROM THE TIRE RETREADING INDUSTRY.
3. ENSURE TIRE BUFFINGS ARE CLEAN, DRY, AND WITHOUT ANY CONTAMINATION.
4. PLACE LOOSE BUFFINGS AND STRIKE OFF LEVEL.
5. COMPACT BUFFINGS BY SPADING WITH A SQUARE-NOSE SHOVEL.
6. USE HOT-POURED JOINT SEALER THAT MEETS THE REQUIREMENT OF ARTICLE 1050.02 AND ACCORDING TO THE APPLICABLE SECTION OF ARTICLE 420.12 OF THE STANDARD SPECIFICATIONS.
7. ALL WORK AND MATERIAL SHALL BE INCLUDED IN THE PAY ITEM REMOVING AND REPLACING EXPANSION JOINT.

ADDED SHEET

FILE NAME *	DESIGNED - JNR	REVISED - 10/23/12 MOA/JNR
...D4EB628-shr-ExpansionJoint-21.dgn	DRAWN - MOA	REVISED -
USER NAME * jraambillo	CHECKED - JNR	REVISED -
PLOT DATE = 10/22/2012	DATE - 10/23/12	REVISED -



**STATE OF ILLINOIS
DEPARTMENT OF TRANSPORTATION**

EXPANSION JOINT DETAIL

SCALE: NTS SHEET NO. OF SHEETS STA. TO STA.

F.A.I. RTE.	SECTION	COUNTY	TOTAL SHEETS	SHEET NO.
90-114R(14HB-4,14,14HVB)BR	TAZEWELL		2433	1504
ILLINOIS FED. AID PROJECT			CONTRACT NO. 68620	