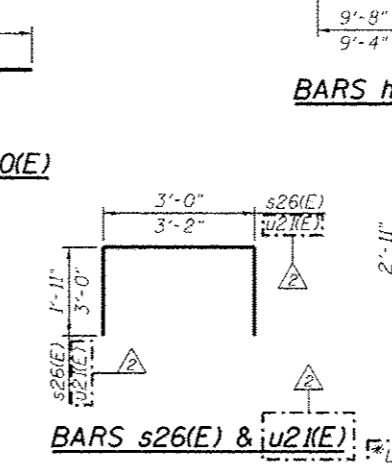
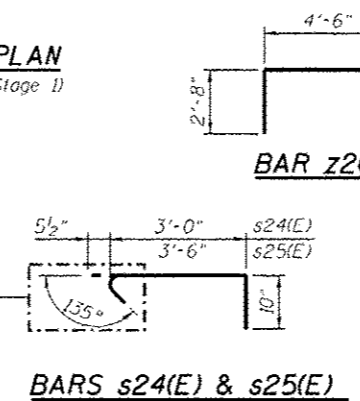
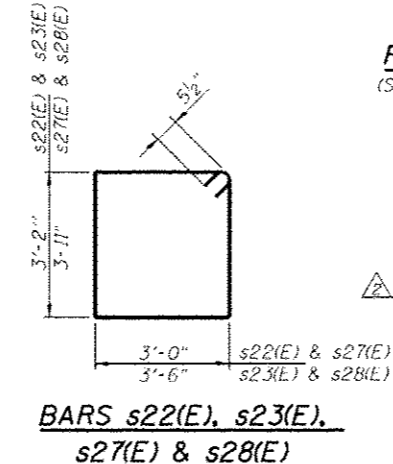
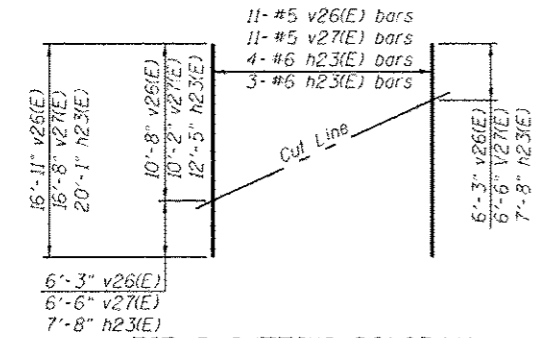
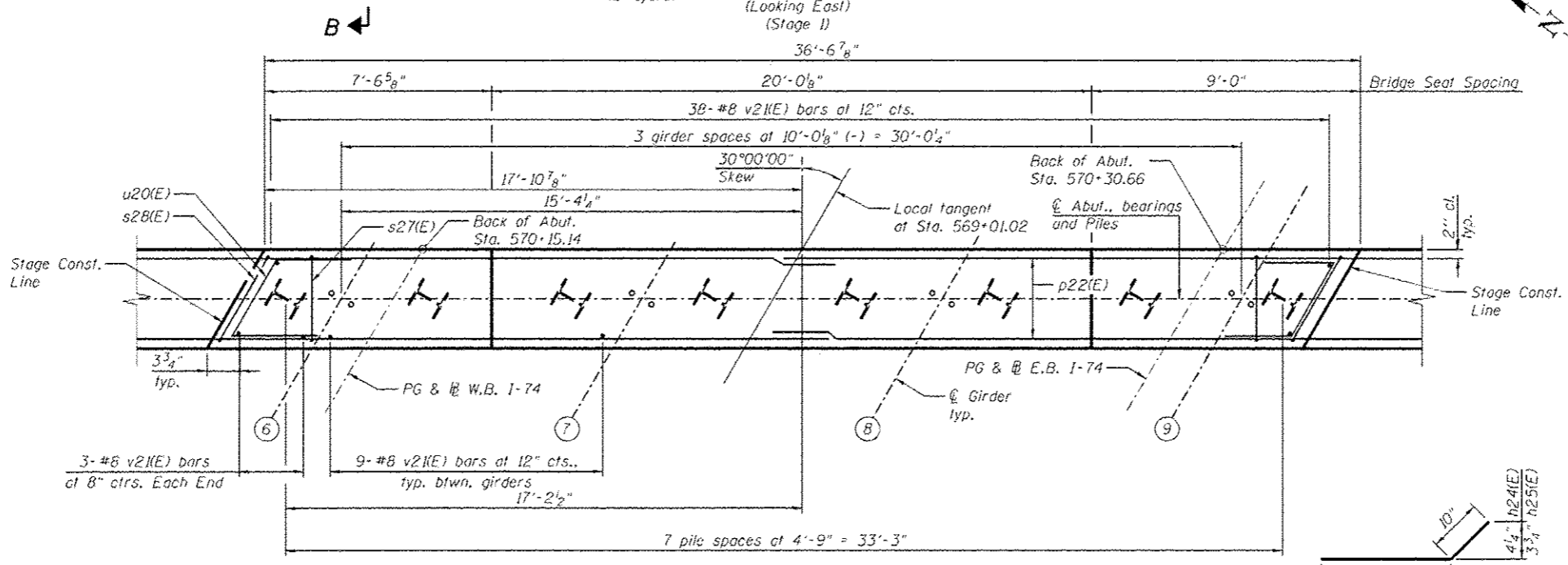
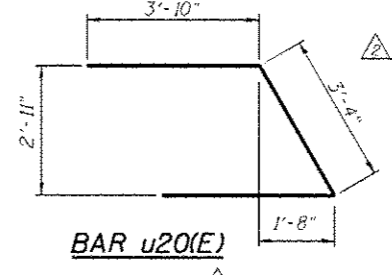


**BILL OF MATERIAL**

Bar	No.	Size	Length	Shape
h20(E)	64	#7	13'-6"	
h21(E)	11	#4	3'-8"	
h22(E)	11	#4	5'-8"	
h23(E)	7	#6	20'-1"	
h24(E)	2	#5	10'-6"	
h25(E)	2	#5	10'-2"	
p20(E)	16	#7	28'-0"	
p21(E)	8	#5	27'-0"	
p22(E)	8	#7	36'-2"	
p23(E)	12	#5	19'-9"	
p24(E)	16	#7	27'-9"	
s25(E)	8	#5	26'-9"	
p26(E)	4	#5	7'-3"	
p27(E)	4	#5	23'-3"	
p28(E)	4	#5	10'-9"	
p29(E)	8	#5	22'-0"	
p30(E)	4	#5	9'-8"	
s22(E)	98	#5	13'-3"	
s23(E)	6	#5	14'-3"	
s24(E)	301	#5	4'-4"	
s25(E)	18	#5	4'-10"	
s26(E)	82	#5	6'-10"	
s27(E)	35	#5	14'-9"	
s28(E)	2	#5	15'-9"	
sp(E)	30	#4	2'-0"	WWW
u20(E)	27	#6	11'-0"	
u21(E)	6	#5	9'-2"	
v21(E)	268	#8	6'-6"	
v26(E)	11	#5	16'-11"	
v27(E)	11	#5	16'-8"	
v28(E)	5	#4	8'-5"	
v29(E)	7	#4	8'-8"	
w20(E)	6	#5	3'-8"	
w21(E)	6	#5	5'-8"	
z20(E)	15	#4	7'-2"	
Structure Excavation	Cu. Yd.		421	
Concrete Structures	Cu. Yd.		79.7	
Reinforcement Bars, Epoxy Coated	Pound		16,710	
Furnishing Steel Piles	Foot		1,943	
Driving Piles	Foot		1,943	
Test Pile Steel	Each		1	
HP12x74				
Pile Shoes	Each		30	



**BARS h24(E) & h25(E)**



**benesch**  
 engineers - scientists - planners  
 Alfred Benesch & Company  
 205 North Michigan Avenue, Suite 2400  
 Chicago, Illinois 60601  
 312-565-0450 Job No. 10056

FILE NAME: 8\001614_68620_39_abut5.dgn	USER NAME: mbecker	DESIGNED: DTS	REVISED: 10/23/2012 MFB
PL01 SCALE:	PL01 DATE: 10/22/2012	CHECKED: SLD	REVISIONS:
		DRAWN: PRT/SLD	
		CHECKED: SLD	

**STATE OF ILLINOIS**  
**DEPARTMENT OF TRANSPORTATION**

**EAST ABUTMENT DETAILS 2 OF 3**  
**STRUCTURE NO. 090-0169**  
 SHEET NO. SC39 OF SC63 SHEETS

F.A.I. R.T.E.	SECTION	COUNTY	TOTAL SHEETS	SHEET NO.
74	BO-114R-14HB-4.14.14HB/BIBR	TAZEWELL	2433	2015
			CONTRACT NO. 68620	
ILLINOIS FED. AID PROJECT				

x:\102005\102056\engineering\documents\phase-1\1740ver-jackson\F.inel\0900169\_68620\_39\_abut5.dgn 3:30:23 PM 10/22/2012