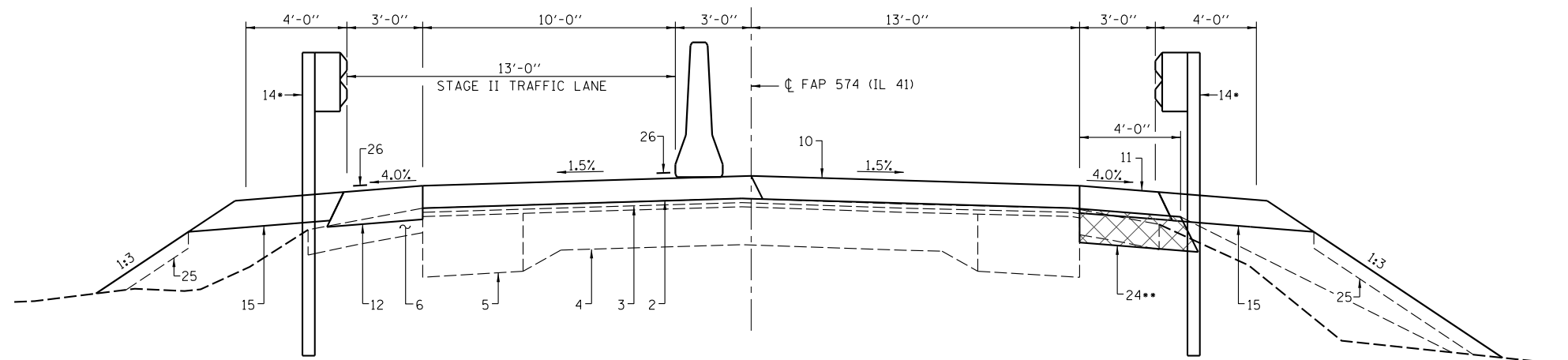


PROPOSED TYPICAL SECTION
STAGE I


- STA. 399+93.01 TO STA. 401+73.66 LT
STA. 402+78.74 TO STA. 405+59.39 LT
STA. 398+93.01 TO STA. 401+73.66 RT
STA. 402+78.74 TO STA. 403+71.89 RT
- STA. 398+60 TO STA. 401+87.83 RT
STA. 402+63.57 TO STA. 405+80 RT
(TBR) STA. 398+60 TO STA. 400+50 RT
(TBR) STA. 403+75 TO STA. 405+80 RT



PROPOSED TYPICAL SECTION
STAGE II

PAVEMENT LEGEND

1. EX PVMT MRK
2. EX HMA SURF CRSE
3. EX OVERLAY
4. EX PVMT BSE CRSE
5. EX BIT CONC BSE CRSE WIDENING (12")
6. EX AGG SHOULDER (6")
7. EX GUARDRAIL
8. EX PRECAST UNIT
9. PR HMA SURF CRSE (1 1/2" NOM.)
10. PR HMA BINDER CRSE (2 1/4" MIN.)
11. PR AGG SHOULDER, 8"
12. PR HMA SHOULDER, 8"
13. PR HMA SHLD, 1 1/2"
14. PR GUARDRAIL
15. PR AGG EROSION CONTROL, 8" (AT GUARDRAIL LOCATIONS)
16. PR CONCRETE APPROACH SLAB (15")
17. PR PVMT CONN (FLEX)
18. PR GRAN SUBBASE, TY A
19. PR HMA SURF REM-BUTT JT
20. PR HMA SURF REM, 1 1/2"
21. PR PVMT MRK - LINE 4"
22. PR CONC FTG (10")
23. PR EARTH SHLD
24. PR HMA BSE CRSE WIDENING, 8"
25. PR TOPSOIL, 4"
26. PR TEMP PVMT MARKING

USER NAME = *USER*	DESIGNED -	REVISED -	 Allen Henderson & Associates, Inc. Civil and Structural Engineers Springfield, IL 62703 Phone: (217)544-8033 IL Design Firm No. 184-001907	STAGE CONSTRUCTION TRAFFIC DETAILS		F.A.P. RTE.	SECTION	COUNTY	TOTAL SHEETS	SHEET NO.	
PLOT SCALE = *SCALE*	DRAWN -	REVISED -		SCALE: NONE	SHEET NO. 1 OF 3 SHEETS	STA.	574	12BR-1	FULTON	62	18
PLOT DATE = *DATE*	CHECKED -	REVISED -				TO STA.	CONTRACT NO. 68732				
	DATE -	REVISED -					FED. ROAD DIST. NO. ILLINOIS FED. AID PROJECT				