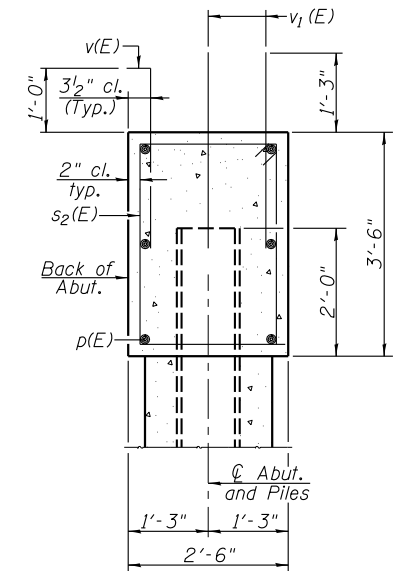
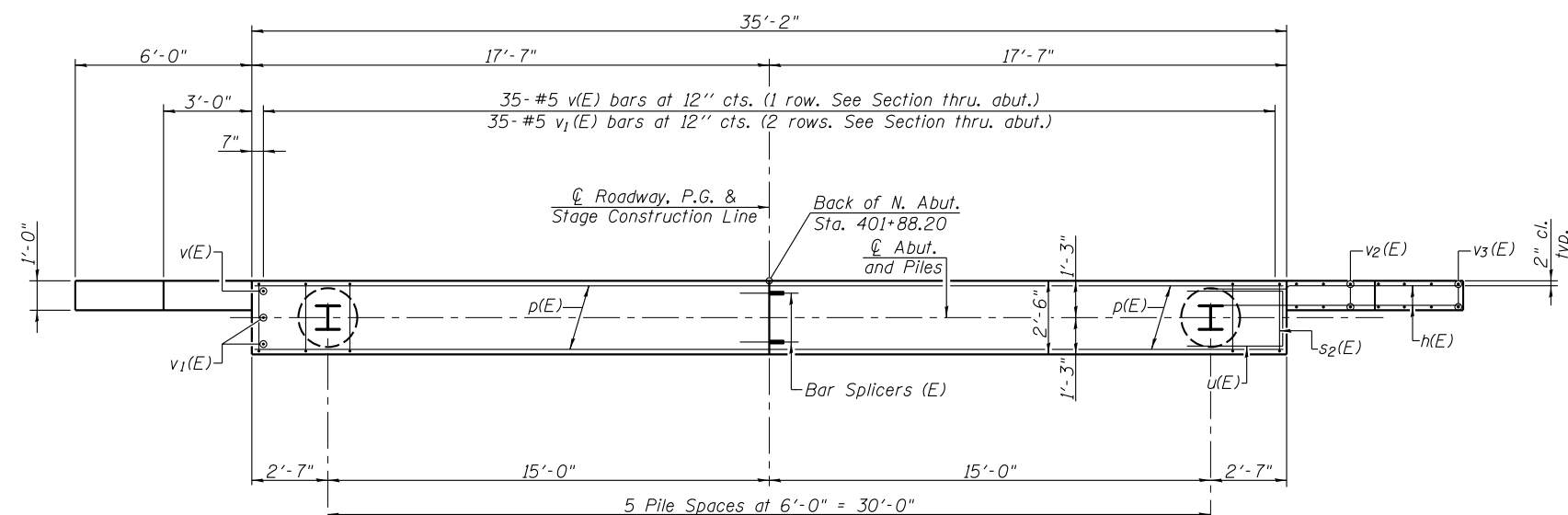


**ELEVATION**  
(Looking North)



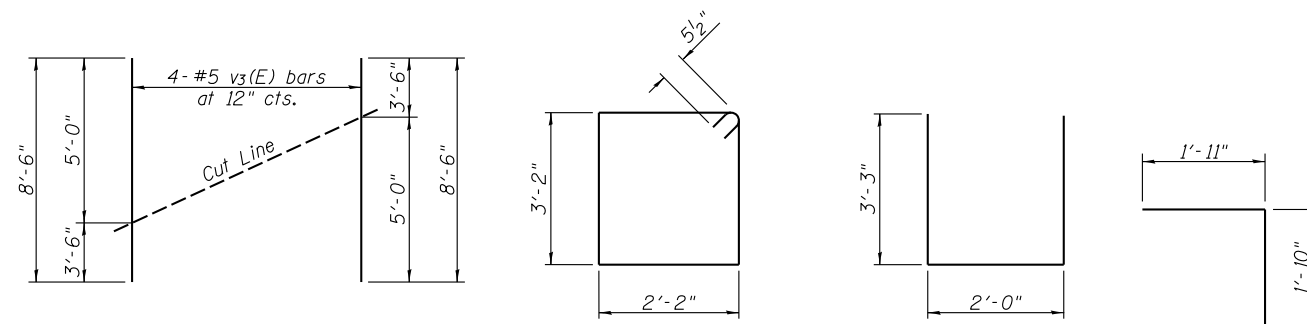
**SEC. THRU ABUT.**



**PLAN**

**PILE DATA**

Type: HP 10X42  
 Nominal Required Bearing: 335 kips  
 Factored Resistance Available: 168 kips  
 Est. Length: 37 ft.  
 No. Production Piles: 5  
 No. Test Piles: 1



**FIELD CUTTING DIAGRAM**

Order v3(E) full length. Cut as shown and use remainder of bars in opposite face.

**BAR s2(E)**

**BAR u(E)**

**BAR v(E)**

**BILL OF MATERIAL**

Bar	No.	Size	Length	Shape
h(E)	44	#5	8'-6"	—
p(E)	12	#7	17'-3"	—
s2(E)	42	#5	11'-7"	□
u(E)	8	#6	8'-6"	—
v(E)	35	#5	3'-9"	—
v1(E)	70	#5	3'-4"	—
v2(E)	12	#5	5'-0"	—
v3(E)	8	#5	8'-6"	—
Structure Excavation			Cu. Yd.	23
Concrete Structures			Cu. Yd.	13.6
Reinforcement Bars, Epoxy Coated			Pound	1940
Furnishing Steel Piles HP10x42			Foot	185
Driving Piles			Foot	185
Test Pile Steel HP10x42			Each	1
Concrete Encasement			Cu. Yd.	2.1

For details of Bar Splicers, see sheet 17 of 19.  
 For details of piles and Concrete Encasement, see sheet 16 of 19.