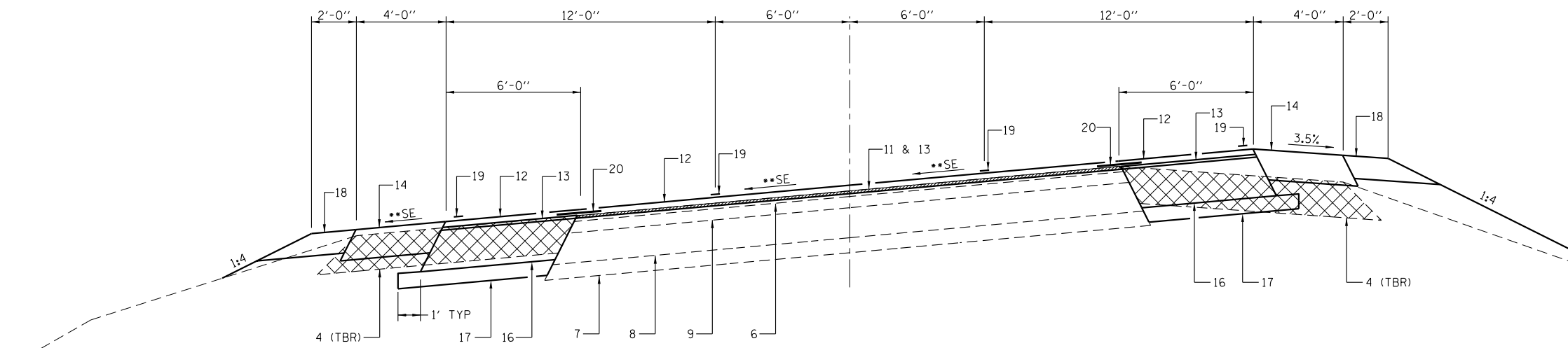


PROPOSED TYPICAL SECTION #3

STA. 1078+95.40 TO STA. 1079+94.88




PROPOSED TYPICAL SECTION #4

STA. 1079+94.88 TO STA. 1091+88.89

** - SE TRANSITION IN:
 STA. 1079+94.88 TO STA. 1082+25.88 RT
 STA. 1081+10.88 TO STA. 1082+25.88 LT
 FULL SE (4.50%)
 STA. 1082+25.88 TO STA. 1091+29.71
 SE TRANSITION OUT:
 STA. 1091+29.71 TO STA. 1093+60.71 RT
 STA. 1091+29.71 TO STA. 1092+44.71 LT

PAVEMENT LEGEND

- 1 - EX PCC PAVEMENT (9'-6"-9')
- 2 - EX PCC WIDENING (8')
- 3 - EX HMA SURFACE (VAR 3" TO 6 1/2')
- 4 - EX HMA SHOULDERS (8')
- 5 - EX AGG SHOULDERS
- 6 - EX HMA SURFACE COURSE (1 1/2')
- 7 - EX SUB-BASE GRANULAR MATERIAL, TYPE A (4')
- 8 - EX STABILIZED BASE COURSE (8')
- 9 - EX HMA SURFACE (3')
- 10 - EX PAVEMENT MARKINGS - LINE 5"
- 11 - PR HMA SURFACE REMOVAL, VAR DEPTH (3/4" MIN @ 4')
- 12 - PR HMA SURFACE COURSE, 1 1/2"
- 13 - PR HMA LEVELING BINDER (3/4" MIN)
- 14 - PR HMA SHOULDERS, 8"
- 15 - PR HMA SHOULDERS (1 1/2" NOM)
- 16 - PR HMA BASE COURSE, 1 1/2"
- 17 - PR SUB-BASE GRANULAR MATERIAL, TYPE B (6')
- 18 - PR AGG SHOULDERS, TYPE B (6')
- 19 - PR PAVEMENT MARKING
- 20 - PR STRIP REFLECTIVE CRACK CONTROL TREATMENT

USER NAME = #USER#	DESIGNED -	REVISED -	 Allen Henderson & Associates, Inc. Civil and Structural Engineers Springfield, IL 62703 Phone: (217)544-8033 IL Design Firm No. 184-001907	TYPICAL ROADWAY SECTIONS		F.A.P. RTE.	SECTION	COUNTY	TOTAL SHEETS	SHEET NO.		
PLOT SCALE = #SCALE#	DRAWN -	REVISED -		SCALE: NONE	SHEET NO. 2 OF 4 SHEETS	STA.	TO STA.	67	3 (N, L, RS-3)	CASS	64	9
PLOT DATE = #DATE#	CHECKED -	REVISED -						CONTRACT NO. 72075				
	DATE -	REVISED -						FED. ROAD DIST. NO. ILLINOIS FED. AID PROJECT				