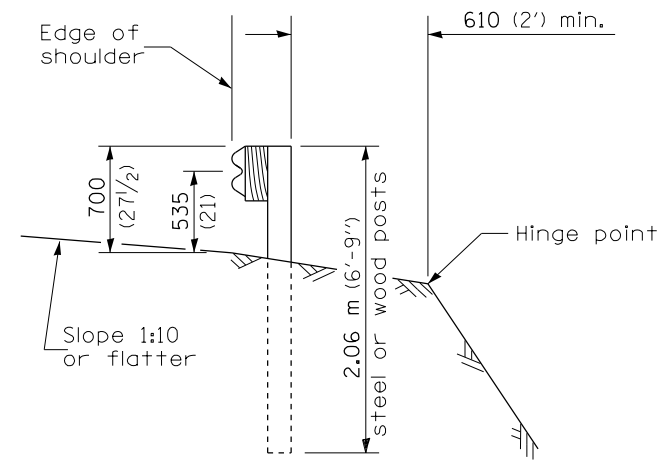
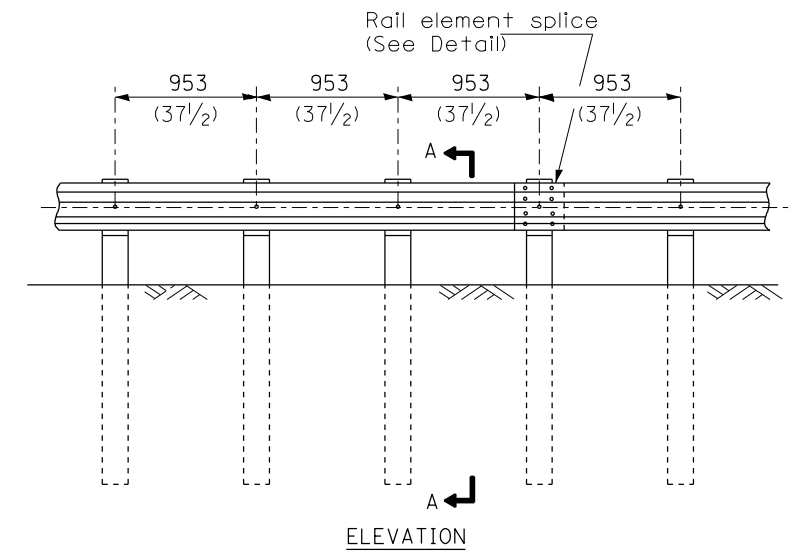


TYPE A

1.905 m (6'-3") Typical post spacing

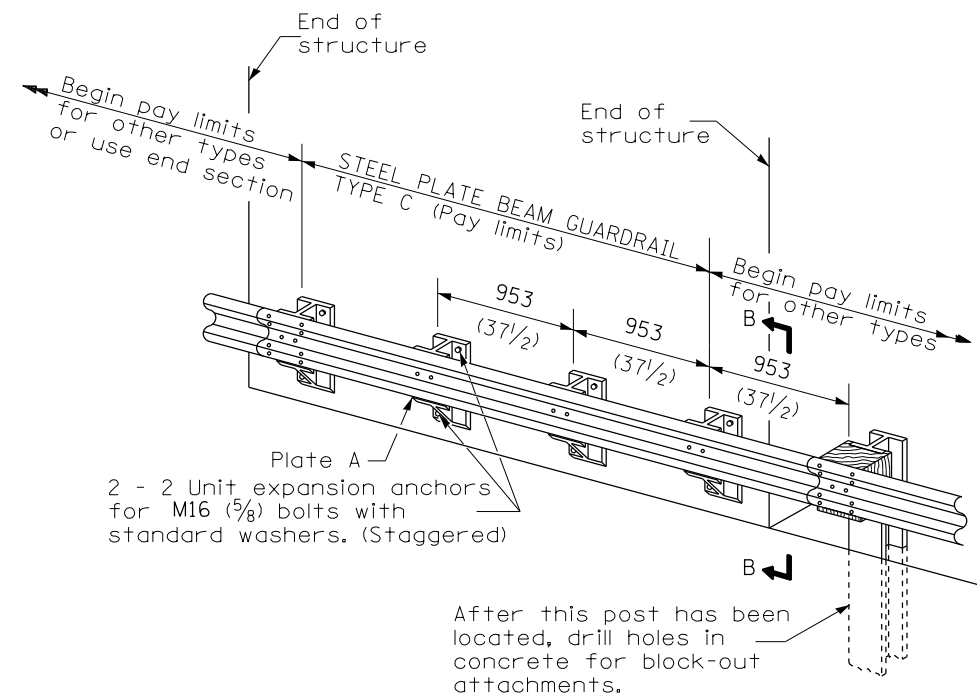


SECTION A-A



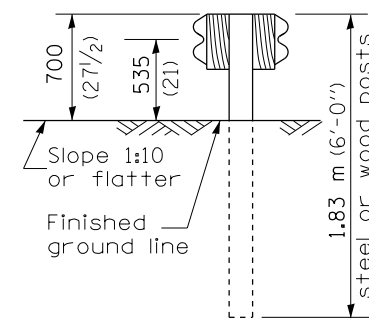
TYPE B

953 (37 1/2) Closed post spacing

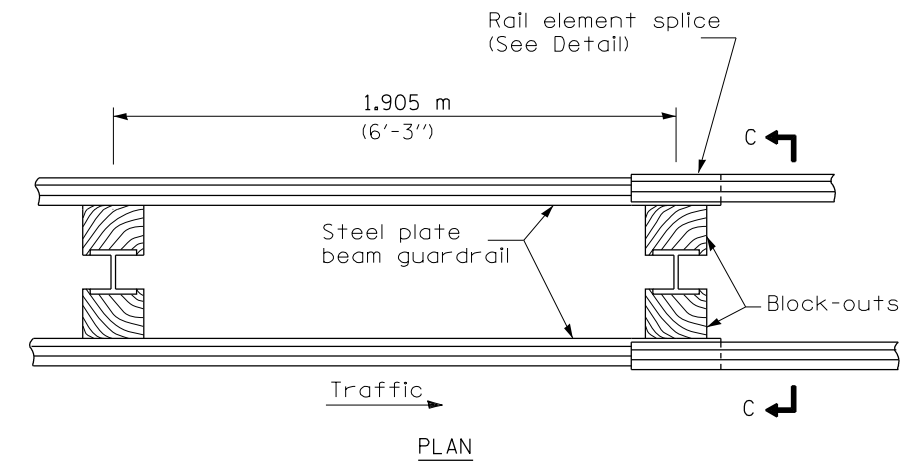


TYPE C

953 (37 1/2) Block-out spacing

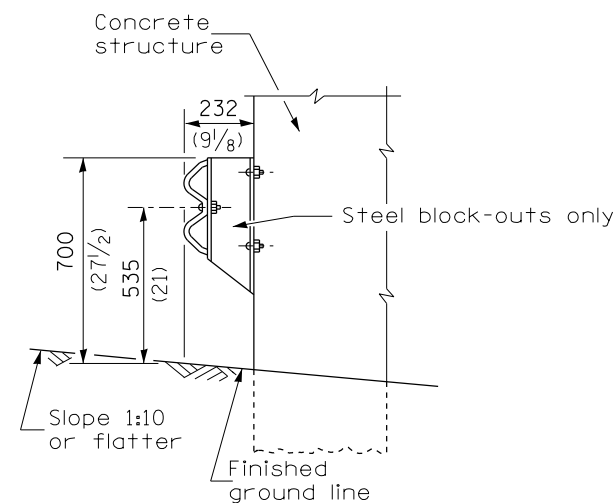


SECTION C-C



TYPE D

Double steel plate beam guardrail
1.905 m (6'-3") typical post spacing



SECTION B-B

GENERAL NOTES

All slope ratios are expressed as units of vertical displacement to units of horizontal displacement (V:H).

All dimensions are in millimeters (inches) unless otherwise shown.

| | | | | | | | | | | | | | |
|--|----------------------|------------|-----------|---|---|-----------|-----------|------|-----------|---------|--------|--------------|-----------|
| FILE NAME = | USER NAME = sparksgw | DESIGNED - | REVISED - | STATE OF ILLINOIS DEPARTMENT OF TRANSPORTATION | PRE-MGS HIGHWAY STANDARD 630001-06 STEEL PLATE BEAM GUARDRAIL EFFECTIVE 4-1-06 | | | | F.A. RTE. | SECTION | COUNTY | TOTAL SHEETS | SHEET NO. |
| ct:\pw\work\p\idot\sparksgw\10290736\06722-sht-207-630001-06-SteelPlateBeamGuardrail.dwg | | DRAWN - | REVISED - | | SCALE: | SHEET NO. | OF SHEETS | STA. | TO STA. | VAR | | 18 | 7 |
| | | CHECKED - | REVISED - | | | | | | | | | | |
| | | DATE - | REVISED - | | | | | | | | | | |
| | | | | | | | | | | | | | |