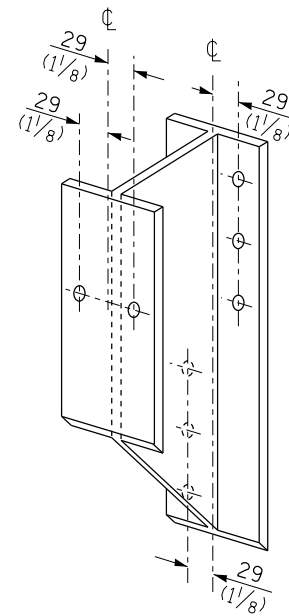
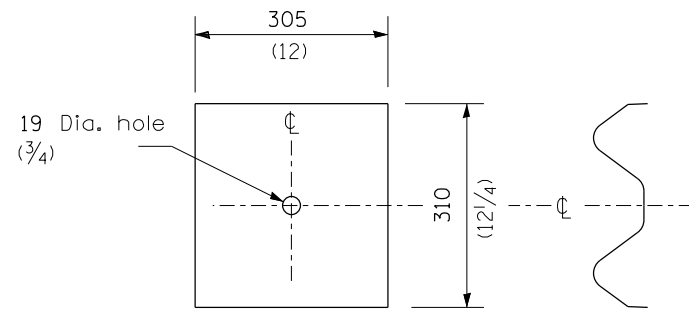


**STEEL POST CONSTRUCTION**



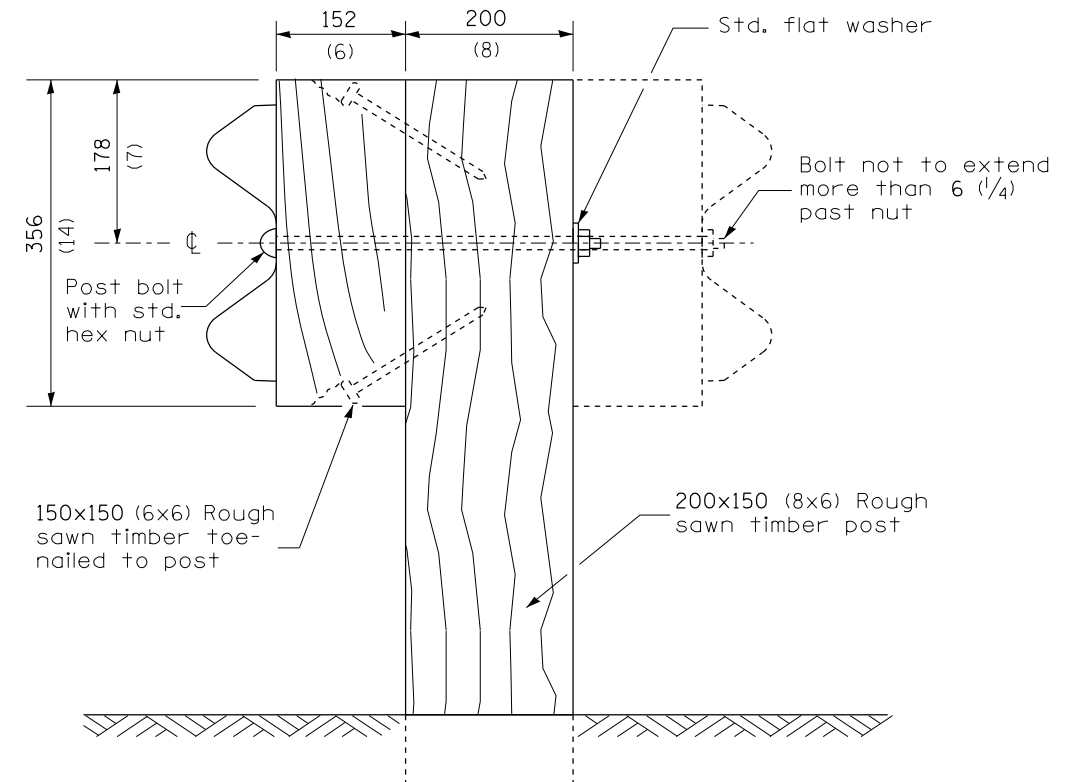
**STEEL BLOCK-OUT DETAIL**



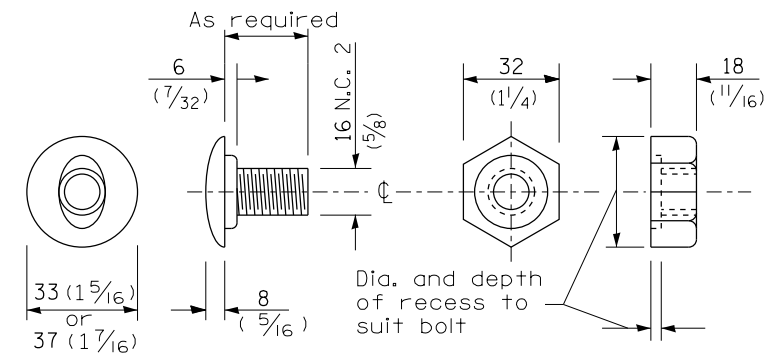
NOTE

Plate A shall be placed between rail element and block-out at non-splice mounting points only when steel block-outs are used.

**PLATE A**



**WOOD POST CONSTRUCTION**



**POST OR SPLICE BOLT & NUT**

FILE NAME =	USER NAME = sparksgw	DESIGNED -	REVISED -
ct:\pw\work\p\idot\sparksgw\10290736\06722-sht-207-630001-06_SteelPlateBeamOrder.d	DRAWN -	REVIS	REVISED -
PLOT SCALE = 0:26.000 ms / in.	CHECKED -	REVIS	REVISED -
PLOT DATE = Aug-15-2012 11:58:16AM	DATE -	REVIS	REVISED -

**STATE OF ILLINOIS  
DEPARTMENT OF TRANSPORTATION**

**PRE-MGS HIGHWAY STANDARD 630001-06  
STEEL PLATE BEAM GUARDRAIL  
EFFECTIVE 4-1-06**

(SHEET 2 OF 4)

F.A. RTE.	SECTION	COUNTY	TOTAL SHEETS	SHEET NO.
VAR	.	VAR	18	8
			CONTRACT NO. 72F22	

SCALE: SHEET NO. OF SHEETS STA. TO STA.

ILLINOIS FED. AID PROJECT

• D6 CABLE/GUARDRAIL REPAIR 2013