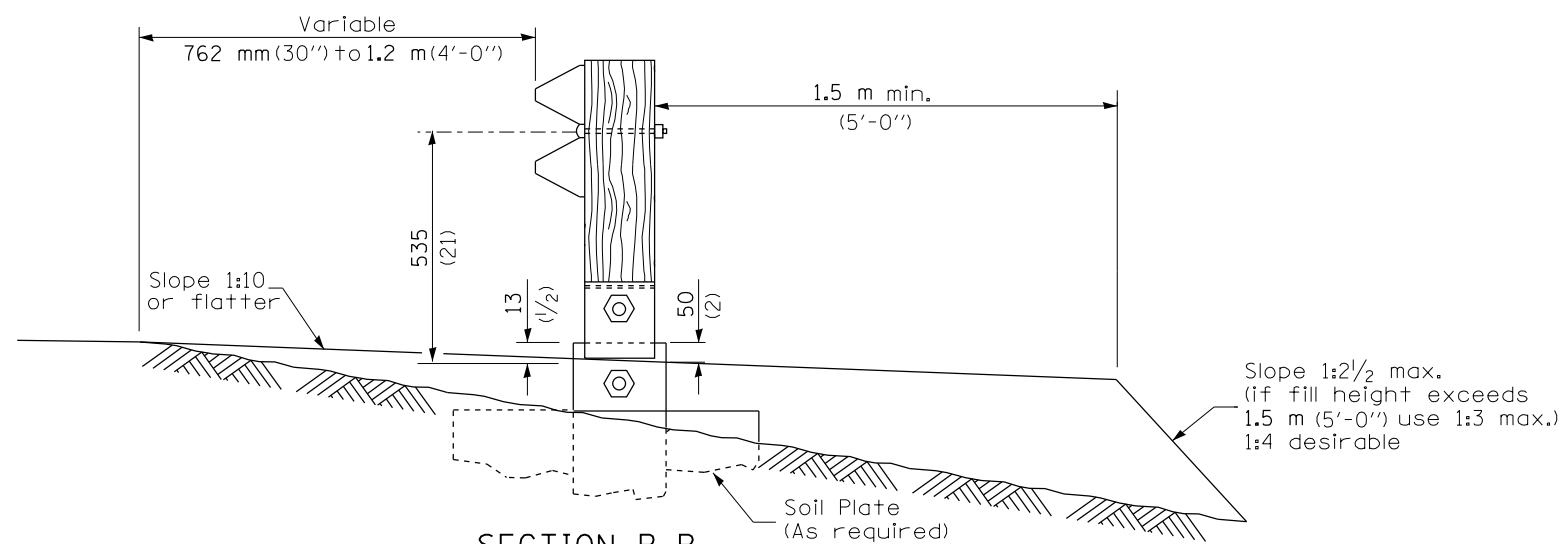


**SHOULDER WIDENING TRANSITION
FOR FLARED TERMINAL**



SECTION B-B
(End section omitted for clarity.)

FILE NAME =	USER NAME = sparksgw	DESIGNED -	REVISED -	STATE OF ILLINOIS DEPARTMENT OF TRANSPORTATION	PRE-MGS HIGHWAY STANDARD 630301-03 SHOULDER WID. FOR TYPE 1 (SPL) GUARDRAIL TERMINAL EFFECTIVE 4-1-06				F.A. RTE.	SECTION	COUNTY	TOTAL SHEETS	SHEET NO.
et:\pwork\pwork\sparksgw\0290736\06722-sh-t-207-630301-03_ShldWidenForType1Grd	DRAWN -	REVISED -	REVISED -		SCALE:	SHEET NO.	OF	SHEETS	STA.	TO STA.	ILLINOIS FED. AID PROJECT	18	12
PLOT SCALE = 0:26.000 m / in.	CHECKED -	REVISED -	REVISED -		(SHEET 2 OF 2)				VAR	.	CONTRACT NO.	72F22	
PLOT DATE = Aug-15-2012 11:58:19AM	DATE -	REVISED -	REVISED -		• D6 CABLE/GUARDRAIL REPAIR 2013								