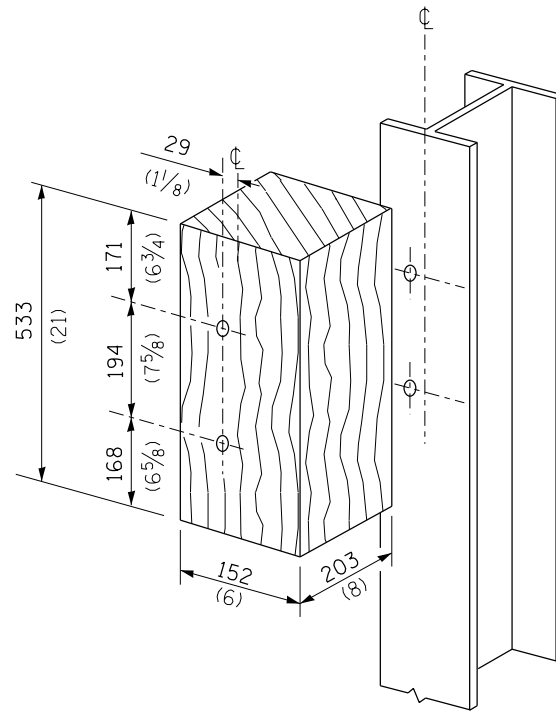
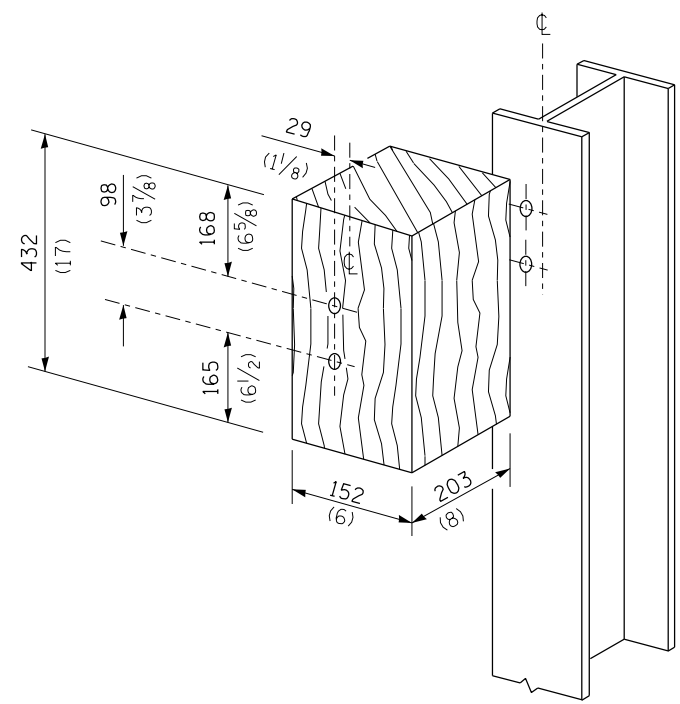


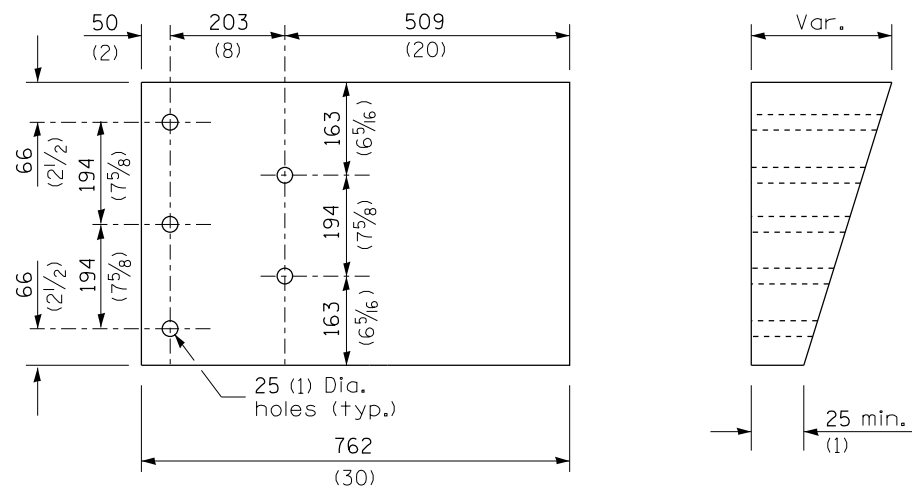
THRIE BEAM END SHOE DETAIL



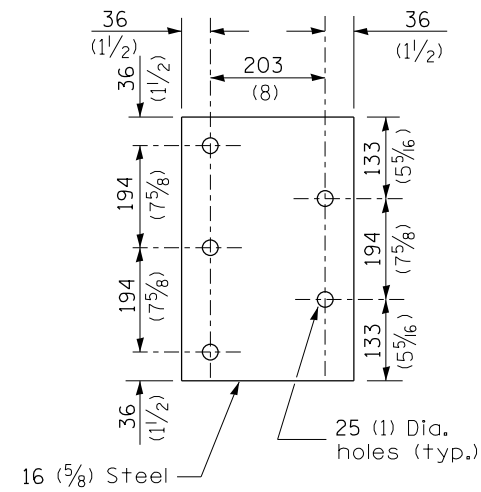
POSTS 1-11 WOOD BLOCKOUT DETAIL



POST 12 WOOD BLOCKOUT DETAIL



PARAPET WOOD BLOCK-OUT DETAIL



PARAPET STEEL BEARING PLATE DETAIL

(5 each individual 125x125x16 (5x5x5/8) steel plates with centered 25 (1) holes may be substituted for the plate shown.)

FILE NAME =	USER NAME = sparksgw	DESIGNED -	REVISED -	STATE OF ILLINOIS DEPARTMENT OF TRANSPORTATION	PRE-MGS HIGHWAY STANDARD 631031-05 TRAFFIC BARRIER TERMINAL, TYPE 6 EFFECTIVE 4-1-06 <small>(SHEET 3 OF 3)</small>	F.A. RTE.	SECTION	COUNTY	TOTAL SHEETS	SHEET NO.
et:\pw\work\p\id\sparksgw\10290736\06722-sh-t-207-631031-05_TrafBarTermType6.dgn	DRAWN -	REVISED -	VAR				VARIOUS	18	17	
PLOT SCALE = 0:26.000 ms / in.	CHECKED -	REVISED -					CONTRACT NO. 72F22			
PLOT DATE = Aug-15-2012 11:58:23AM	DATE -	REVISED -					ILLINOIS FED. AID PROJECT			