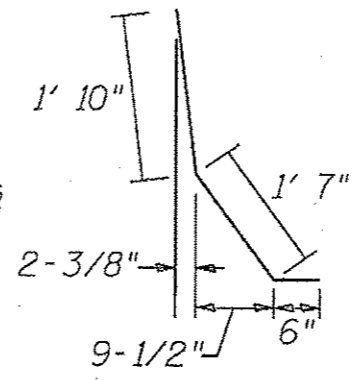
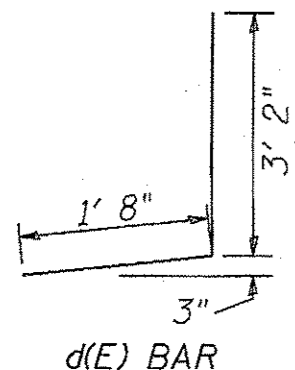


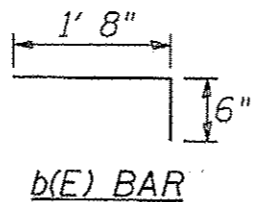
TYPICAL PARAPET CROSS SECTION



d1(E) BAR

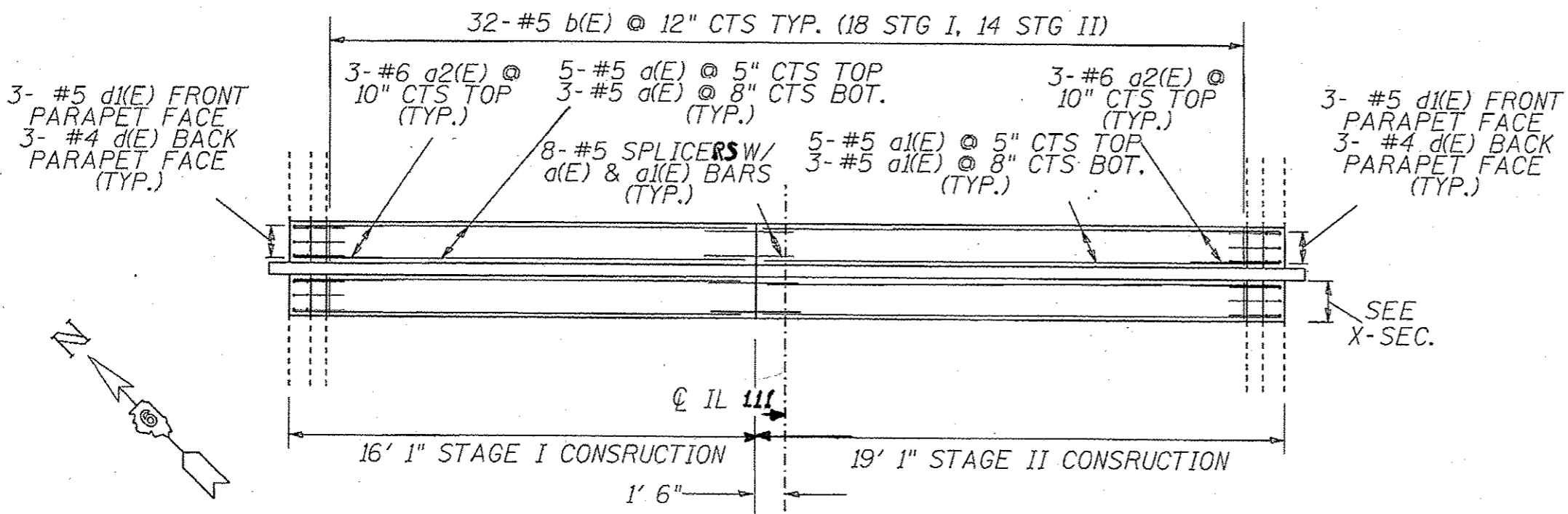


d(E) BAR



b(E) BAR

JOINT CROSS SECTION



JOINT PLAN

BENT 7, PIER 1, AND PIER 2 TOTAL BILL OF MATERIAL				
BAR	#	SIZE	LENGTH	SHAPE
d(E)	48	5	15' 3"	—
d1(E)	48	5	18' 3"	—
a2(E)	36	6	4' 0"	—
b(E)	192	5	2' 2"	┌
d(E)	36	4	4' 10"	└
d1(E)	36	5	3' 11"	└
REINFORCEMENT BARS - EPOXY COATED			2590 LB	
BAR SPLICERS			48 EACH	
CONCRETE SUPERSTRUCTURE			16.8 CU YD	

BENT 7, PIER 1, & PIER 2  
JOINT REPLACEMENT DETAILS  
FAP 608 (IL 111)  
SECTION (126)I-1  
MACOUPIN COUNTY