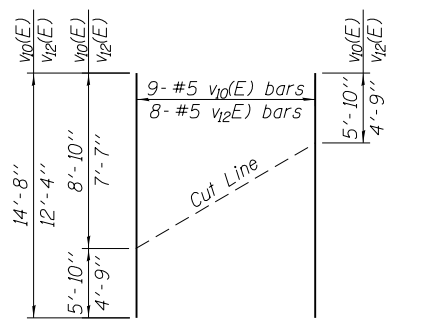
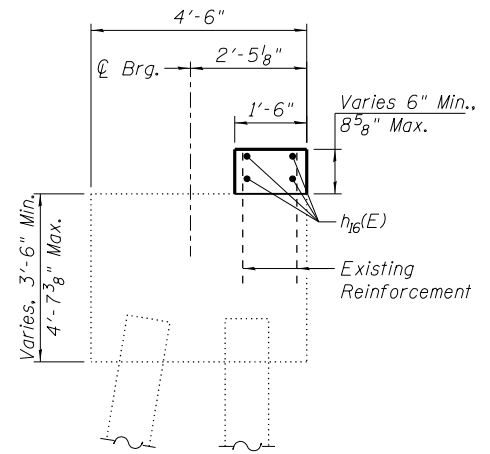
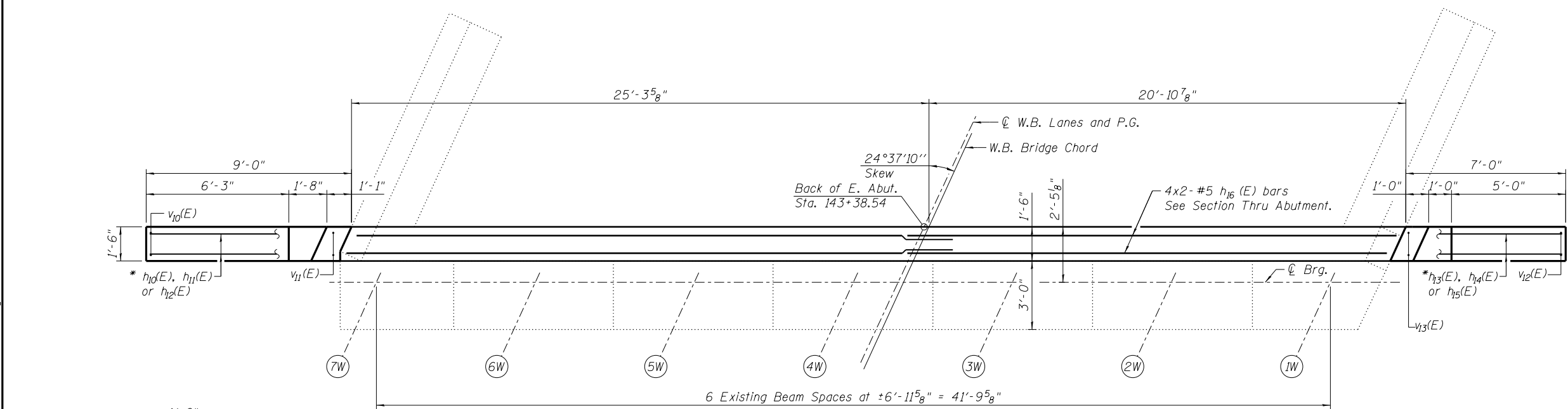
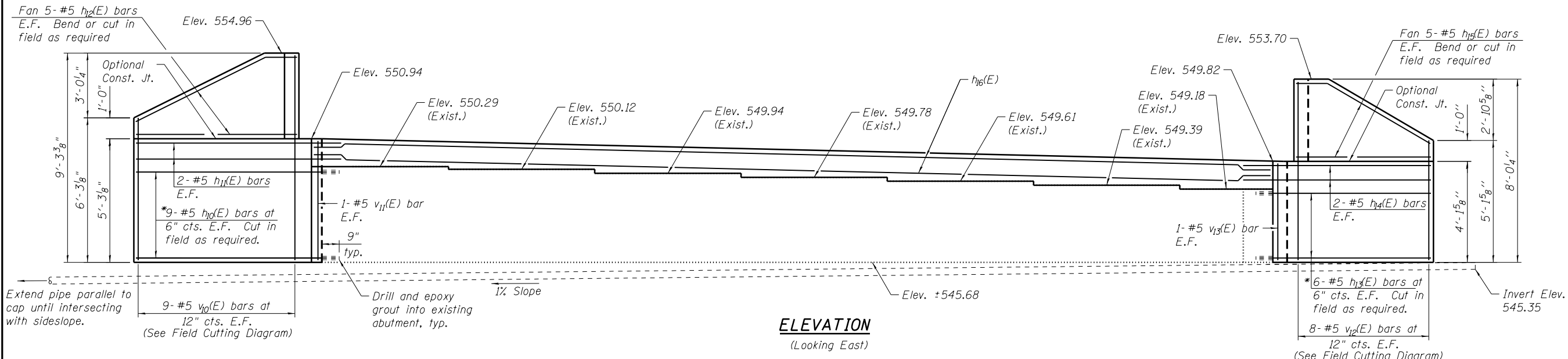


N:\PROJ\10003377\00\0003377\07\Design\Structure\1\CAD\018-0047 & 018-0048-74466 26 WB East Abutment.dgn
 018-0048-74466 26 WB East Abutment.dgn



FIELD CUTTING DIAGRAM
 Order v10(E) and v12(E) bars full length. Cut to fit as shown and use remainder bars in other face.

* Epoxy grout h10(E) and h13(E) bars in 9" min. drilled holes according to Section 584 of the Standard Specifications.

BILL OF MATERIAL

Bar	No.	Size	Length	Shape
h10(E)	18	# 5	9'-7"	—
h11(E)	4	# 5	12'-1"	—
h12(E)	10	# 5	8'-7"	—
h13(E)	12	# 5	8'-3"	—
h14(E)	4	# 5	10'-9"	—
h15(E)	10	# 5	7'-6"	—
h16(E)	8	# 5	24'-7"	—
v10(E)	9	# 5	14'-8"	—
v11(E)	2	# 5	4'-10"	—
v12(E)	8	# 5	12'-4"	—
v13(E)	2	# 5	3'-9"	—
Structure Excavation			Cu. Yd.	99
Concrete Structures			Cu. Yd.	8.3
Reinforcement Bars, Epoxy Coated			Pound	1,010
Geocomposite Wall Drain			Sq. Yd.	57
Porous Granular Embankment, Special			Cu. Yd.	95
Pipe Underdrains for Structures, 4"			Foot	67

MINIMUM BAR LAP
 #5 Bar = 3'-3"

- NOTES**
- Space drilled holes in cap to miss existing reinforcement.
 - Bars indicated 1x2-#5 etc. indicates 1 line of bars with 2 lengths per line.
 - See sheet S-2 for abutment drainage details.
 - E.F. denotes Each Face.
 - For anchor bolt layout see sheet S-23.
 - Prior to ordering any material the Contractor shall verify in the field all bearing height and shim thickness dimensions.



USER NAME = RDonley	DESIGNED - AMK	REVISED -
PLOT SCALE = 8x0.0002 1" = 16'	CHECKED - BWS	REVISED -
PLOT DATE = 8/14/2012	DRAWN - RD	REVISED -
	CHECKED - MHT	REVISED -

**STATE OF ILLINOIS
 DEPARTMENT OF TRANSPORTATION**

**W.B. EAST ABUTMENT DETAILS
 SN 018-0047 (W.B.) & 018-0048 (E.B.)**

SHEET NO. S-26 OF S-34 SHEETS

F.A.I. RTE.	SECTION	COUNTY	TOTAL SHEETS	SHEET NO.
70	(18-47B, 18-47HB)BR	CUMBERLAND	147	84
CONTRACT NO. 74466				
ILLINOIS FED. AID PROJECT				