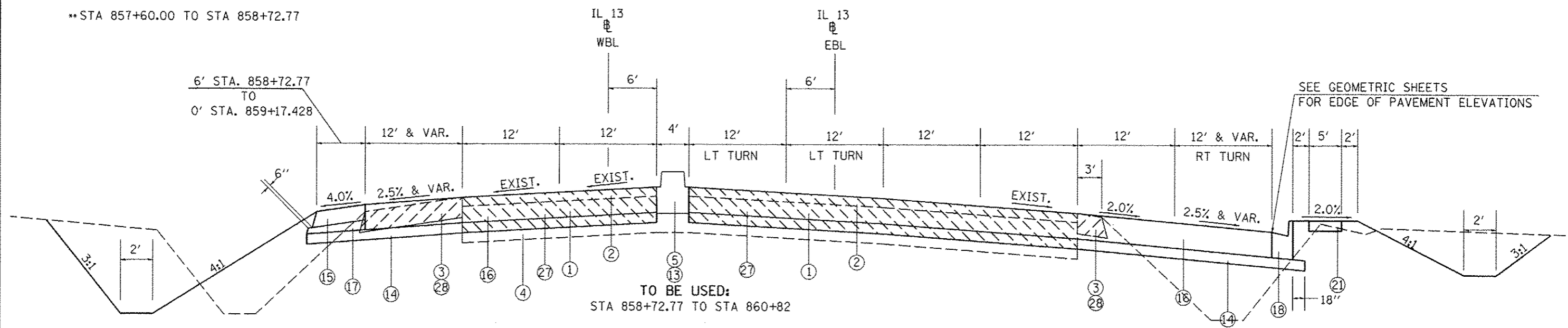


**STA 857+60.00 TO STA 858+72.77

TO BE USED:
STA 858+15 TO STA 858+72.77



6' STA. 858+72.77
TO
0' STA. 859+17.428

SEE GEOMETRIC SHEETS
FOR EDGE OF PAVEMENT ELEVATIONS

TO BE USED:
STA 858+72.77 TO STA 860+82

- 1 EXIST. PCC PAVEMENT 10"
- 2 EXIST. HMA RESURFACING 3 1/4"
- 3 EXIST. HMA SHOULDER 8"
- 4 EXIST. SUB-BASE GRANULAR MATERIAL
- 5 EXIST. MEDIAN
- 6 EXIST. COMBINATION CURB & GUTTER
- 7 EXIST. SIDEWALK
- 8 EXIST. PAVEMENT
- 9 EXIST. MEDIAN SURFACE

- 10 PROP. HMA FULL DEPTH PAVEMENT 14 3/4"
- 11 PROP. HMA POLY SURFACE COURSE, MIX "E", N105, 1 1/2"
- 12 PROP. HMA POLY BINDER COURSE, IL-19.0, N105, 1 3/4" & VARIABLE
- 13 CONCRETE MEDIAN, TYPE SB-6.06
- 14 PROP. SUB-BASE GRANULAR MATERIAL, TYPE A 8"
- 15 PROP. HMA SHOULDER 8"
- 16 PROP. PORTLAND CEMENT PAVEMENT 10", JOINTED
- 17 PROP. SUB-BASE GRANULAR MATERIAL, TYPE C
- 18 PROP. COMBINATION CONCRETE CURB AND GUTTER, TYPE B-6.24
- 19 PROP. COMBINATION CONCRETE CURB AND GUTTER, TYPE B-6.06

- 20 PROP. CONCRETE MEDIAN SURFACE, 4"
- 21 PROP. PORTLAND CEMENT CONCRETE SIDEWALK, 5"
- 22 PROP. HMA SURFACE REMOVAL 3 1/4"
- 23 PROP. MEDIAN REMOVAL
- 24 PROP. CC&G REMOVAL
- 25 PROP. AGGREGATE FILL (INCIDENTAL)
- 26 PROP. SIDEWALK REMOVAL
- 27 PROP. PAVEMENT REMOVAL
- 28 PROP. PAVED SHOULDER REMOVAL
- 29 PROP. COMBINATION CONCRETE CURB AND GUTTER, SPECIAL
- 30 PROP. SEGMENTAL BLOCK RETAINING WALL
- 31 PROP. CONCRETE GUTTER, TYPE A

FILE NAME :	USER NAME = #USER#	DESIGNED -	REVISED -	STATE OF ILLINOIS DEPARTMENT OF TRANSPORTATION	TYPICALS IL 13			F.A.P. RTE.	SECTION	COUNTY	TOTAL SHEETS	SHEET NO.
or\pwr\work\pudo\k\kelly\cd\184451\78203-ehf-tyt.dgn	ehf-tyt.dgn	DRAWN -	REVISED -		331	(IX-1R-5,RS-3,N-5,TS-4	WILLIAMSON	288	18			
PLOT SCALE = 1/8"=1'-0"		CHECKED -	REVISED -		CONTRACT NO. 78203							
PLOT DATE = 5/11/2012		DATE -	REVISED -		ILLINOIS FED. AID PROJECT							
					SCALE:	SHEET NO.	OF	SHEETS	STA.	TO	STA.	