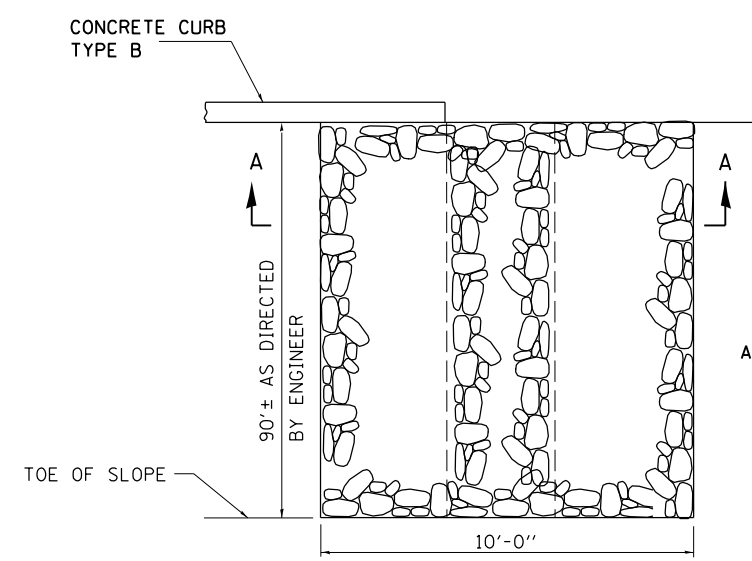


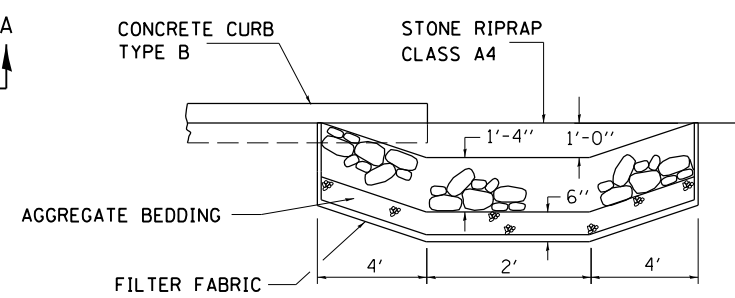
PLAN

NOTES

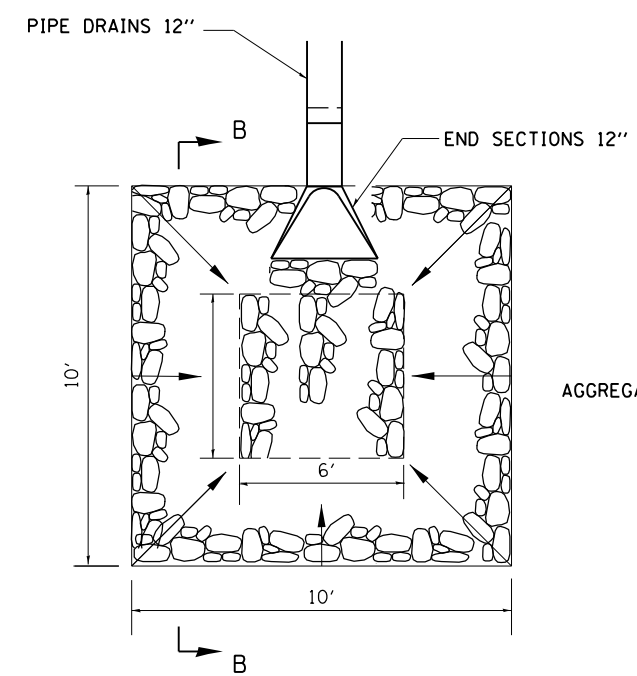
THE EXCAVATED MATERIAL MAY BE WASTED IN NEARBY EROSION CHANNELS AS DIRECTED BY THE ENGINEER.
 THE COST OF EARTH EXCAVATION AND AGGREGATE BEDDING IS INCLUDED IN THE COST OF STONE RIP RAP.
 SEE STANDARD 610001 FOR PIPE DRAIN DETAILS NOT SHOWN.



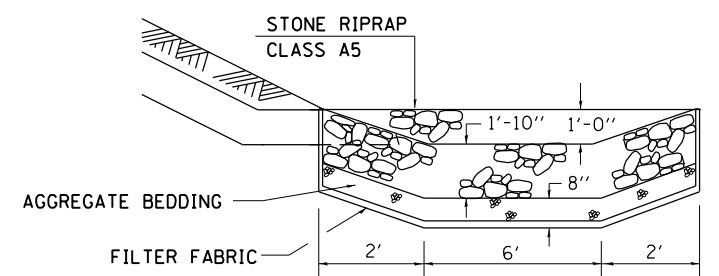
CURB OUTLET DETAIL



SECTION A-A



PIPE OUTLET DETAIL



SECTION B-B

FILE NAME =	USER NAME = gautneyrk	DESIGNED -	REVISED -
ca:\pw_work\p\idot\gautneyrk\d0253215\030-0020_0021-sht.dgn	0020_0021-sht.dgn	DRAWN -	REVISED -
PLOT SCALE = 40:0 "/>			
PLOT DATE = 9/10/2012	DATE -	REVISED -	REVISED -

**STATE OF ILLINOIS
 DEPARTMENT OF TRANSPORTATION**

**GENERAL PLAN & ELEVATION
 S.N. 030-0021 OVER SALINE RIVER**
 SCALE: _____ SHEET NO. ___ OF ___ SHEETS STA. 348+30.00

F.A.P. RTE.	SECTION	COUNTY	TOTAL SHEETS	SHEET NO.
782	D9 CM BRIDGE REPAIR 2012-3	GALLATIN	14	14
CONTRACT NO. 78253				
ILLINOIS FED. AID PROJECT				