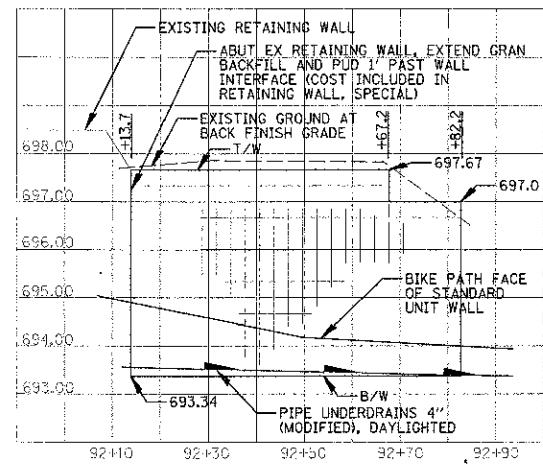
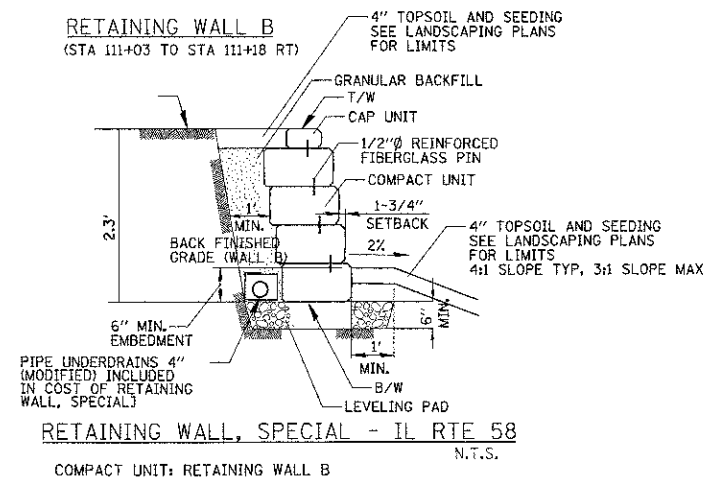


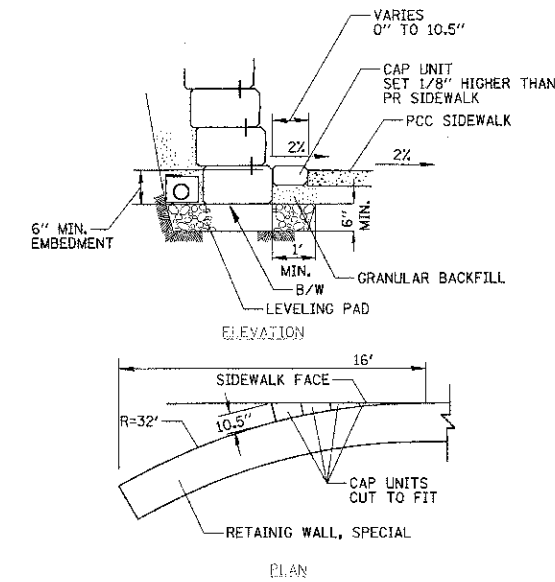
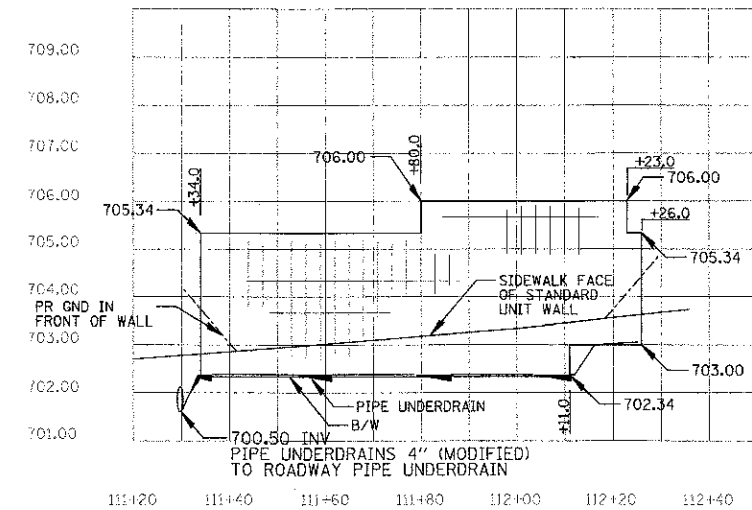
**RETAINING WALL A**  
(STA 92+13.7 TO STA 92+82.2 RT)



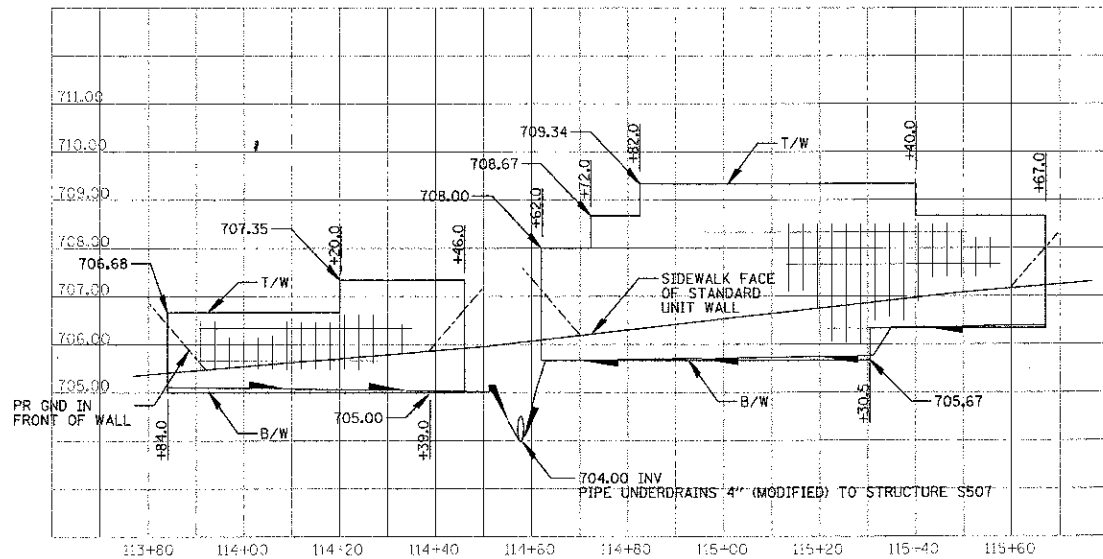
**RETAINING WALL B**  
(STA 111+03 TO STA 111+18 RT)



**RETAINING WALL C**  
(STA 111+34 TO STA 112+26 RT)

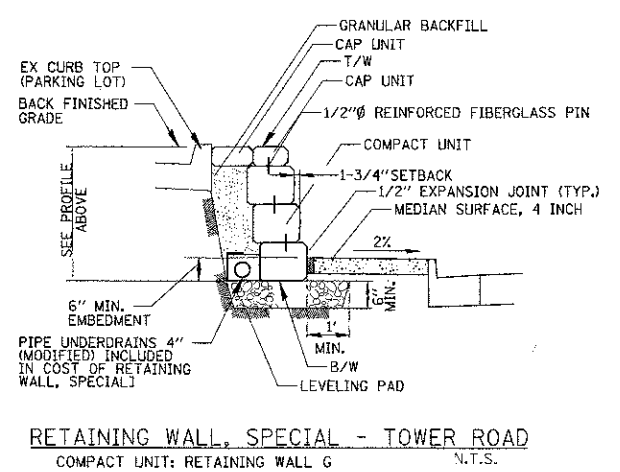
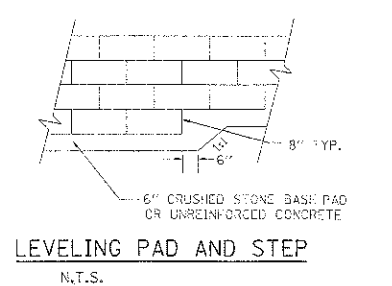
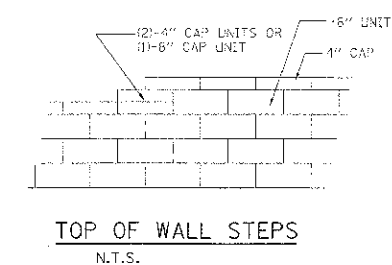
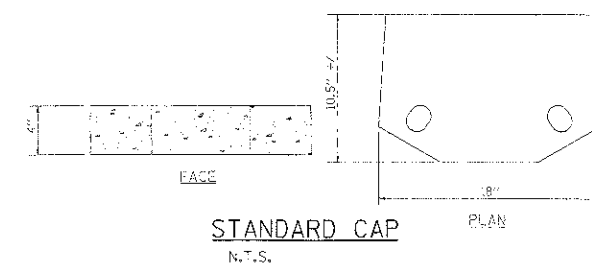
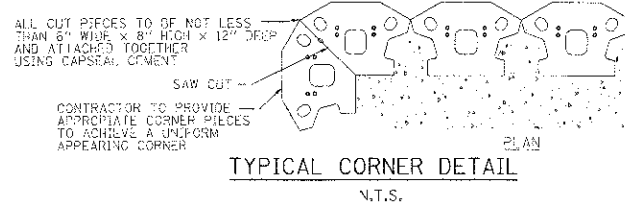
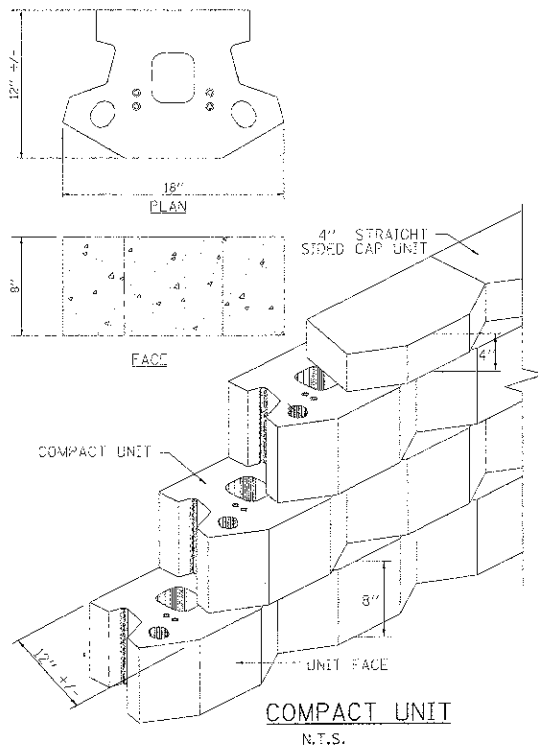
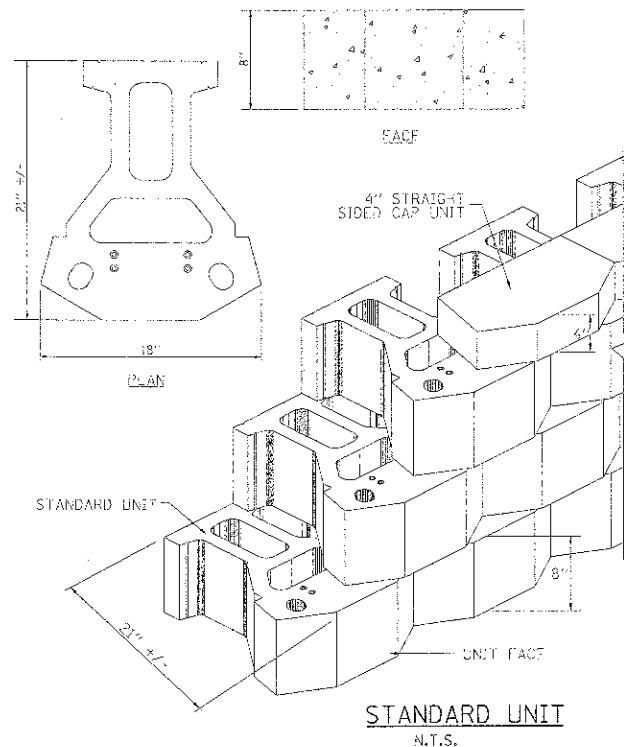
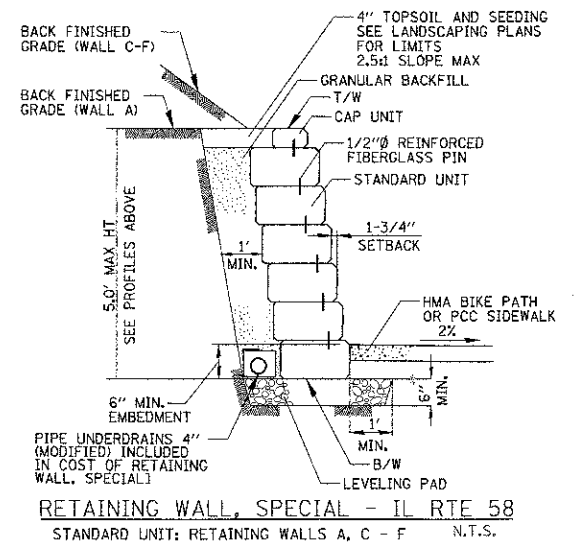
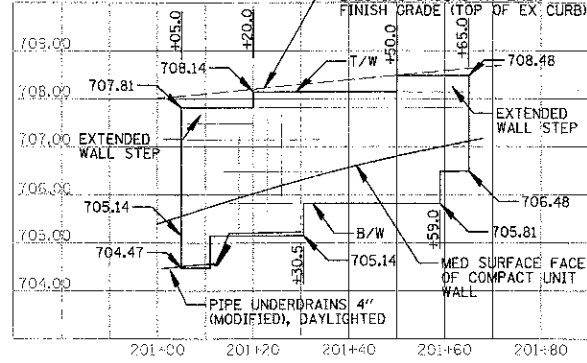


**RETAINING WALL D**  
(STA 113+84 TO STA 114+46 RT)



**RETAINING WALL E**  
(STA 114+62 TO STA 115+67 RT)

**RETAINING WALL F**  
(STA 201+05 TO STA 201+65 RT)



FILE NAME: RWS\PLANS\98-05\0223\CONV\A\1311\980602\01.DWG	USER NAME: mwardlaw	DESIGNED: BLL	REVISED:
PLOT SCALE: E = 2"	CHECKED: JGS	DRAWN: PMM	REVISED:
PLOT DATE: 8/30/2012	DATE: 8/06/12		REVISED:

STATE OF ILLINOIS  
DEPARTMENT OF TRANSPORTATION

IL RTE 58 (GOLF ROAD) AND NEW WILKE ROAD IMPROVEMENTS		F.A.P. RTE. 0559	SECTION 00-00078-00-CH	COUNTY COOK	TOTAL SHEETS 116	SHEET NO. 90
RETAINING WALL PROFILES AND DETAILS		SCALE: N.T.S.		SHEET NO. 1 OF 1 SHEETS	STA. TO STA.	FED. ROAD DIST. NO. ILLINOIS FED. AID PROJECT
IL RTE 58 (GOLF ROAD) AND TOWER ROAD		CONTRACT NO. 83735				