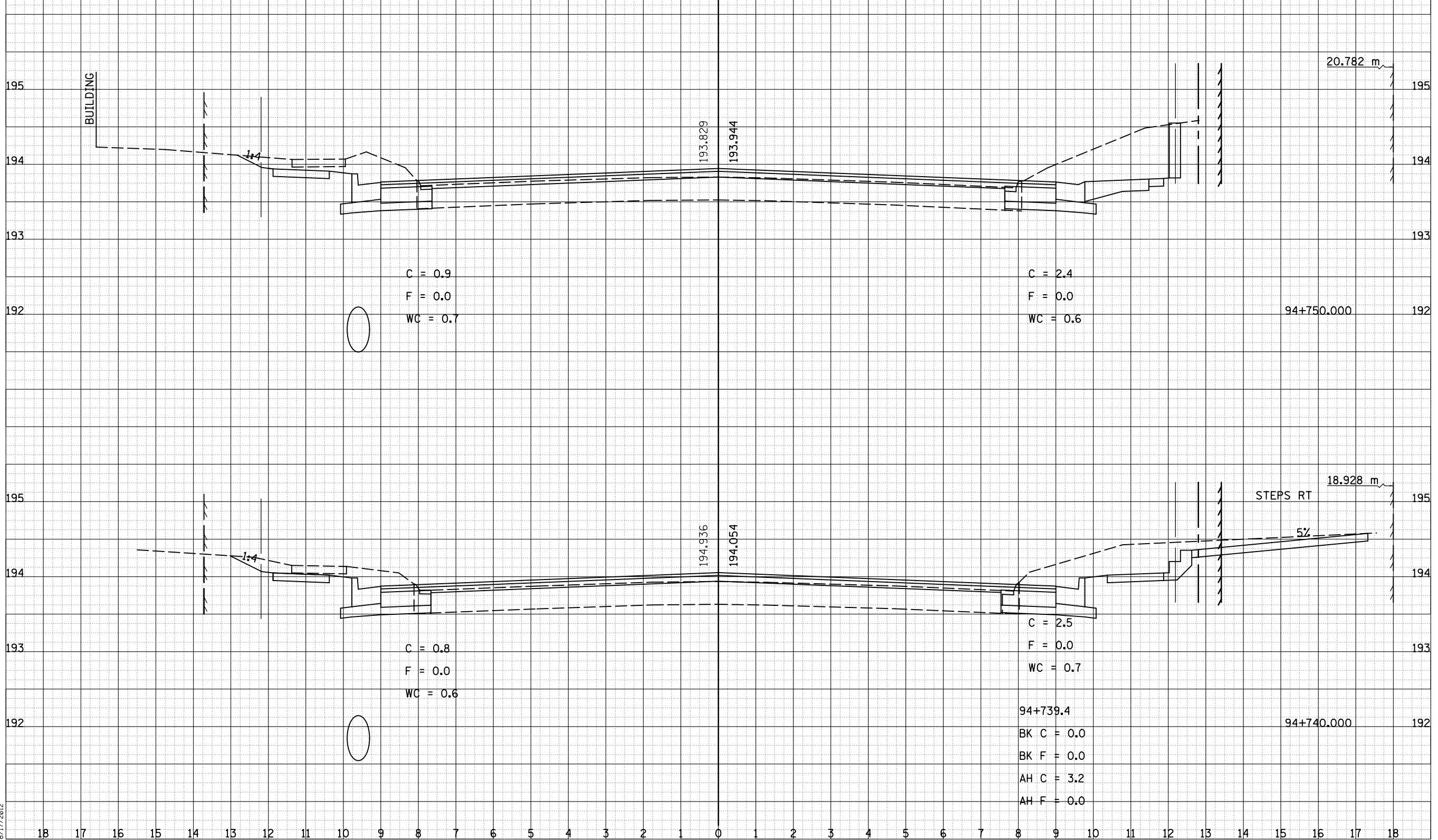


18	17	16	15	14	13	12	11	10	9	8	7	6	5	4	3	2	1	0	1	2	3	4	5	6	7	8	9	10	11	12	13
																		F.A.P. RTE.	SECTION	COUNTY	TOTAL SHEETS	SHEET NO.									
																		729	*	VERMILION	298	221									
																		STA. 94+727.884 TO STA. 94+730.000													
																		FED. ROAD DIST. NO.	ILLINOIS FED. AID PROJECT												
																		36(W,RS-1) & 34Z-2(W,RS)	14	15	16	17	18								
																		CONTRACT #90939													

BY	DATE
FINAL SURVEY	SURVEYED
NOTE BOOK	PLOTTED
NO.	DATE
AREAS CHECKED	



8/17/2012

c:\pwork\pwork\cearlock\j\0313241\20003xshs.dgn