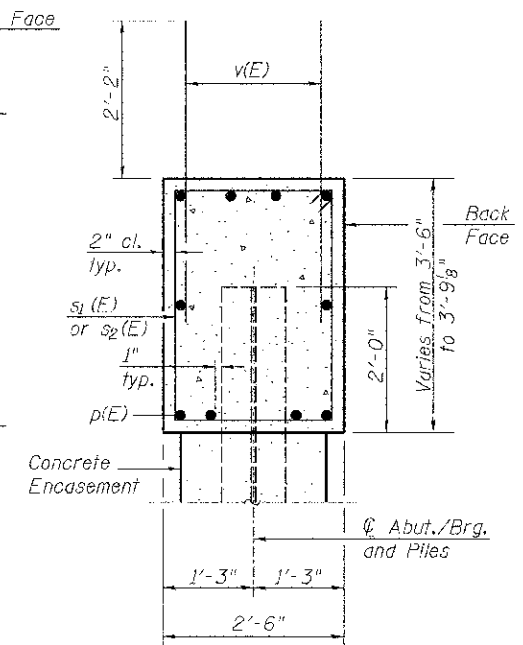
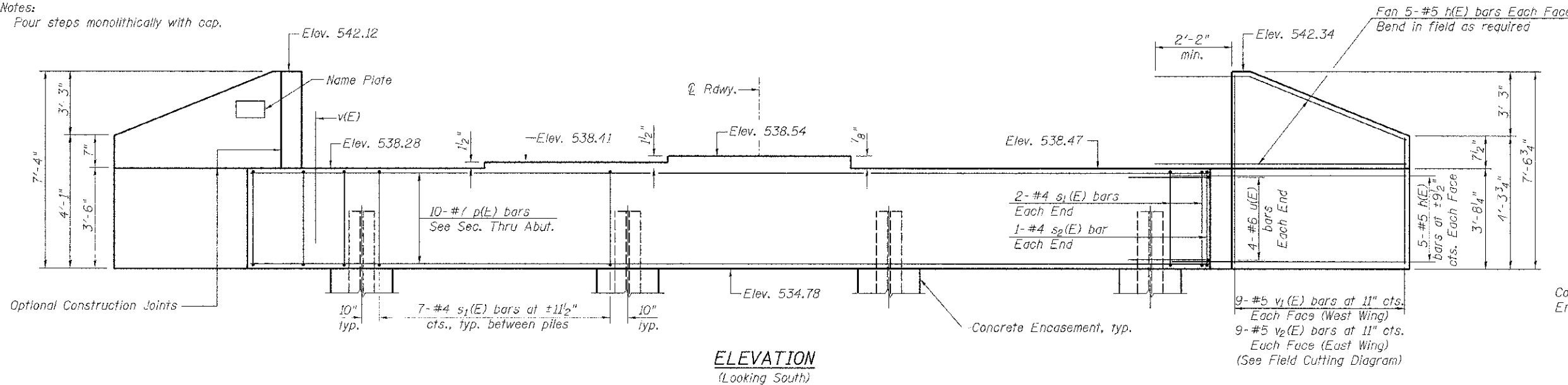


Notes:
Four steps monolithically with cap.



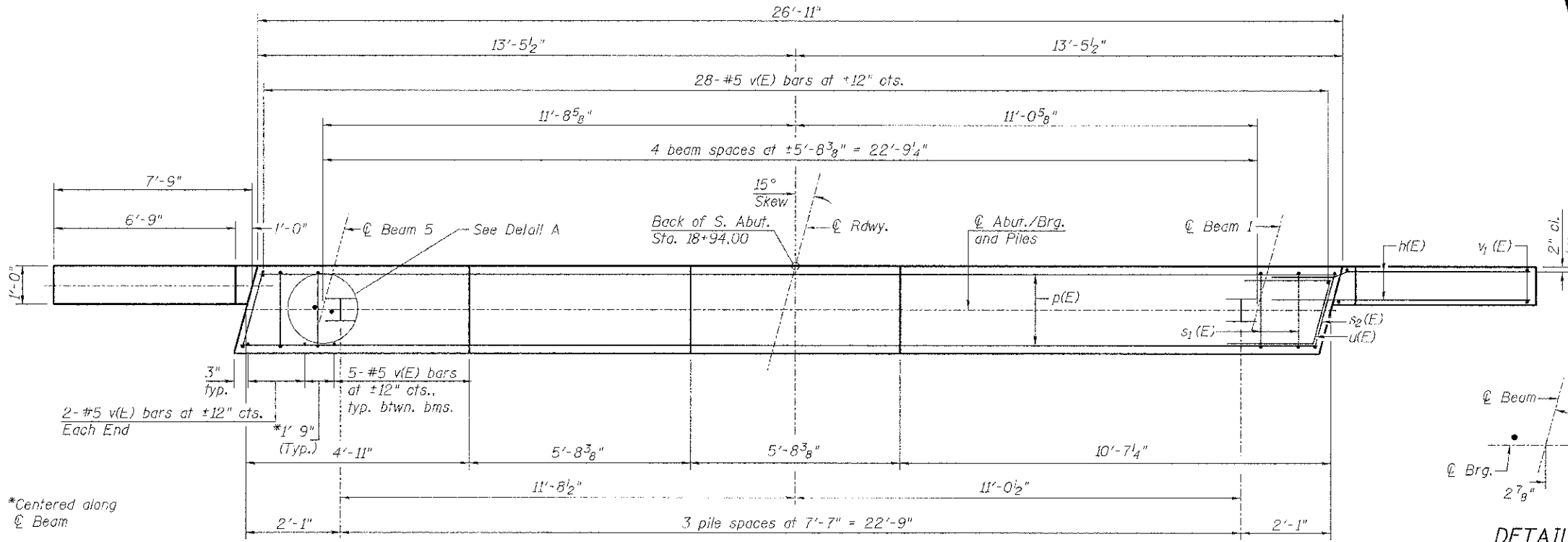
SEC. THRU ABUT.
(At Right Angles)

**SOUTH ABUTMENT
BILL OF MATERIAL**

Bar	No.	Size	Length	Shape
h(E)	40	#5	9'-9"	—
p(E)	10	#7	26'-7"	—
s1(E)	25	#4	11'-5"	□
s2(E)	2	#4	11'-7"	□
u(E)	8	#6	10'-2"	┌
v(E)	52	#5	4'-4"	—
v1(E)	9	#5	10'-11"	—
v2(E)	9	#5	10'-7"	—
Structure Excavation		CU YD	45	
Concrete Structures		CU YD	12.6	
Reinforcement Bars, Epoxy Coated		POUND	1,720	
Name Plates		EACH	1	
Furnishing Steel Piles HP10x42		FOOT	111	
Driving Piles		FOOT	111	
Test Pile Steel HP10x42		EACH	1	
Concrete Encasement		CU YD	1.4	

See sheet 17 of 17 for Pile and Concrete Encasement details.
Space Reinforcement in cap to miss anchor bolts.

**SOUTH ABUTMENT
C.H. 2 OVER SUGAR CREEK
SECTION 07-00073-00-BR
SCHUYLER COUNTY
STATION 20+00.00**

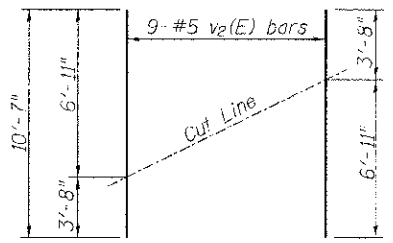


PLAN

DETAIL A

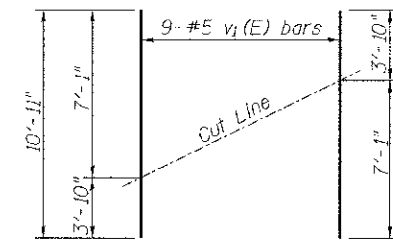
PILE DATA

Type & Size: Steel HP10x42
Nominal Required Bearing: 335 kips
Factored Resistance Available: 184 kips
Est. Length: 37'
No. Required: 4 (Includes 1 Test Pile)



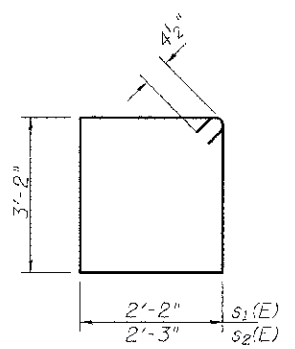
FIELD CUTTING DIAGRAM

Order v2(E) full length. Cut as shown and use remainder of bars in opposite face.

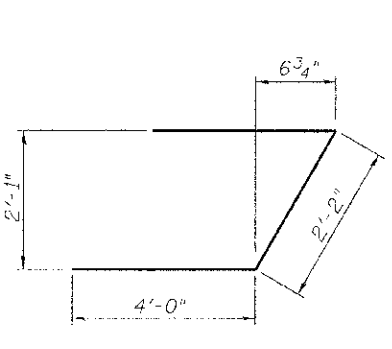


FIELD CUTTING DIAGRAM

Order v1(E) full length. Cut as shown and use remainder of bars in opposite face.



BARS s1(E) & s2(E)



BAR u(E)

SHEET NO. 13 17 SHEETS	ROUTE NO. CH 2	SECTION 07-00073-00-BR	COUNTY SCHUYLER	TOTAL SHEETS 35	SHEET NO. 19
	SN 085-3056		CONTRACT NO. 93584		
FED. ROAD DIST. NO. 7 ILLINOIS			FED. AID PROJECT BRS-0455(107)		