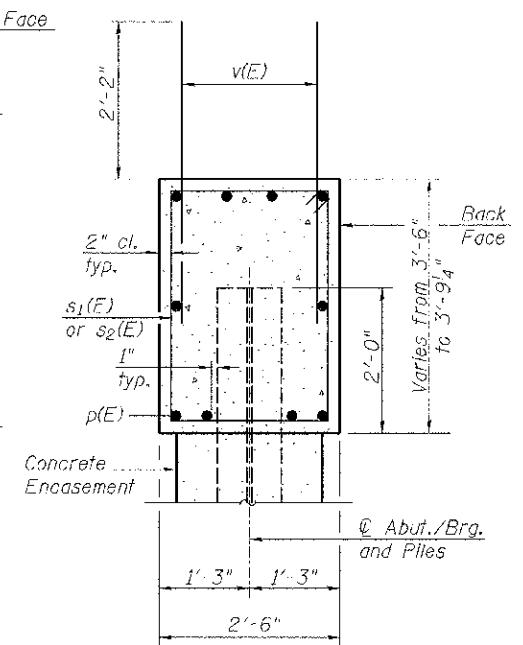
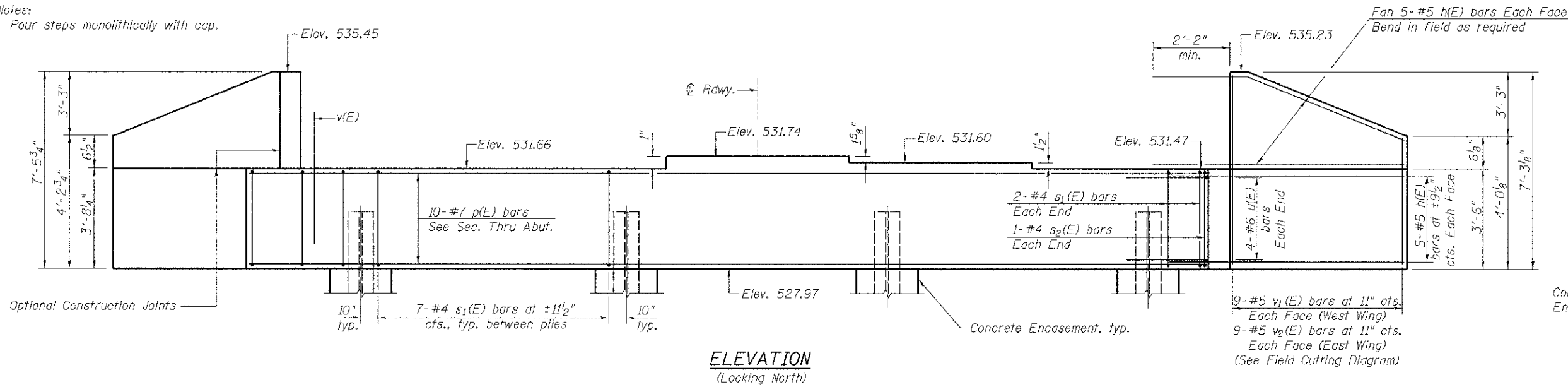


Notes:
Four steps monolithically with cap.



ELEVATION
(Looking North)

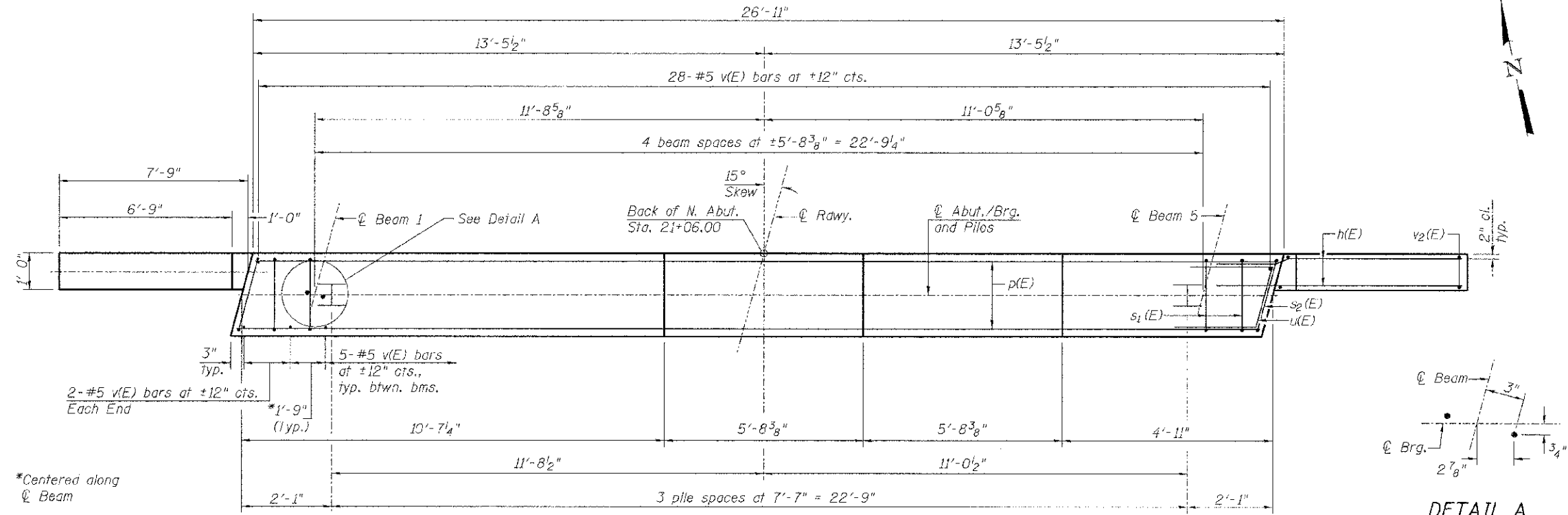
SEC. THRU ABUT.
(At Right Angles)

NORTH ABUTMENT
BILL OF MATERIAL

Bar	No.	Size	Length	Shape
h(E)	40	#5	9'-9"	—
p(E)	10	#7	26'-7"	—
s ₁ (E)	25	#4	11'-5"	□
s ₂ (E)	2	#4	11'-7"	□
u(E)	8	#6	10'-2"	┘
v(E)	52	#5	4'-4"	—
v ₁ (E)	9	#5	10'-11"	—
v ₂ (E)	9	#5	10'-7"	—
Structure Excavation		CU YD	40	
Concrete Structures		CU YD	12.5	
Reinforcement Bars, Epoxy Coated		POUND	1,720	
Furnishing Steel Piles HP10x42		FOOT	135	
Driving Piles		FOOT	135	
Test Pile Steel HP10x42		EACH	1	
Concrete Encasement		CU YD	1.4	

See sheet 17 of 17 for Pile and Concrete Encasement details.
Space Reinforcement in cap to miss anchor bolts.

NORTH ABUTMENT
C.H. 2 OVER SUGAR CREEK
SECTION 07-00073-00-BR
SCHUYLER COUNTY
STATION 20+00.00

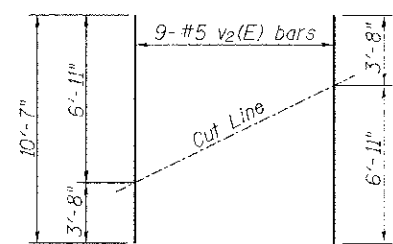


PLAN

DETAIL A

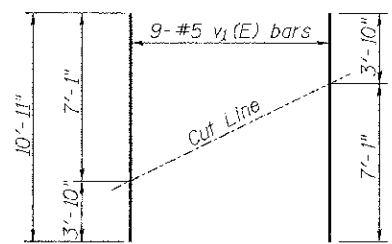
PILE DATA

Type & Size: Steel HP10x42
Nominal Required Bearing: 335 kips
Factored Resistance Available: 184 kips
Est. Length: 45'
No. Required: 4 (Includes 1 Test Pile)



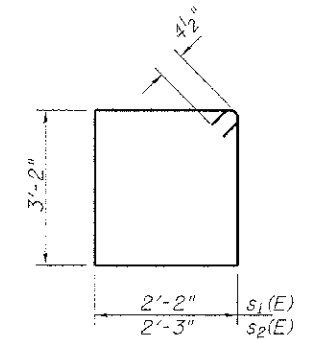
FIELD CUTTING DIAGRAM

Order v₂(E) full length. Cut as shown and use remainder of bars in opposite face.

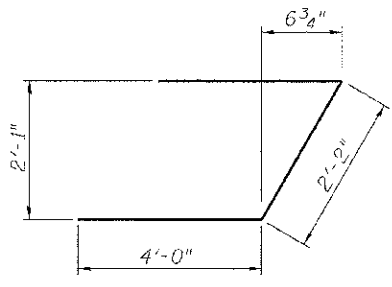


FIELD CUTTING DIAGRAM

Order v₁(E) full length. Cut as shown and use remainder of bars in opposite face.



BARS s₁(E) & s₂(E)



BAR u(E)

SHEET NO. 14 17 SHEETS	ROUTE NO. CH 2	SECTION 07-00073-00-BR	COUNTY SCHUYLER	TOTAL SHEETS 35	SHEET NO. 20
	SN 085-3056		CONTRACT NO. 93584		
FED. ROAD DIST. NO. 7 ILLINOIS			FED. AID PROJECT BRS-0455(107)		