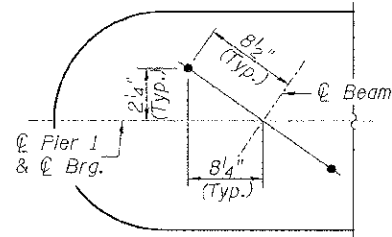
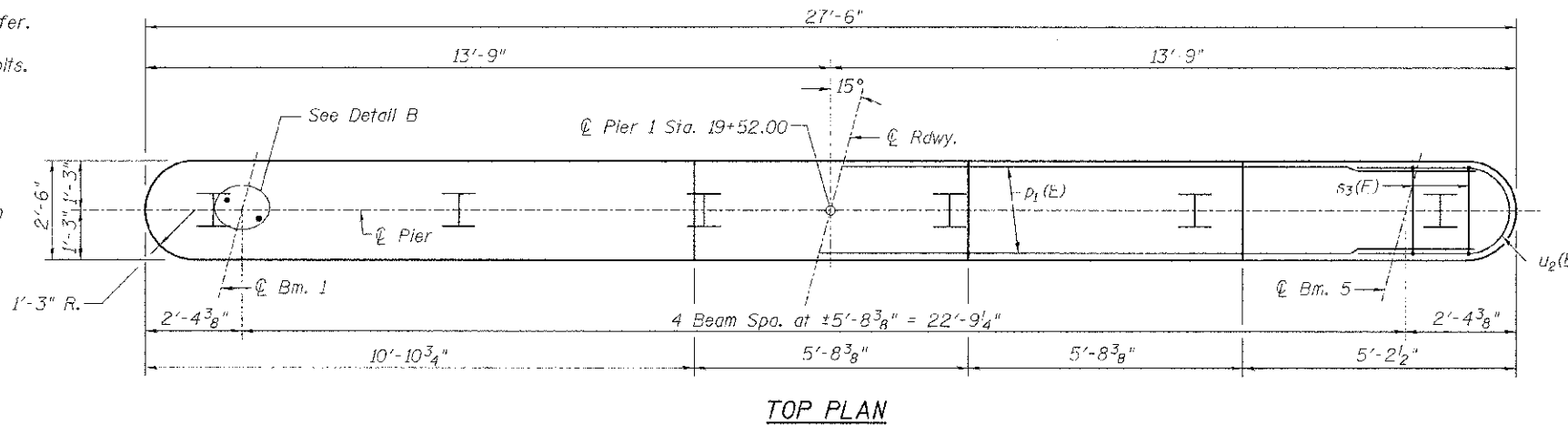


**Notes:**

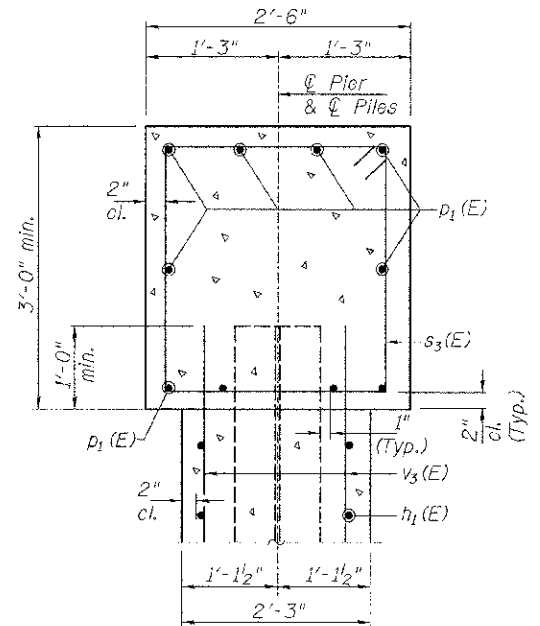
All edges shall have standard 3/4" chamfer.  
 Four steps monolithically with cap.  
 Space reinforcement to miss anchor bolts.  
 See Sh. 17 of 17 for pile, rock socket,  
 and concrete encasement details.



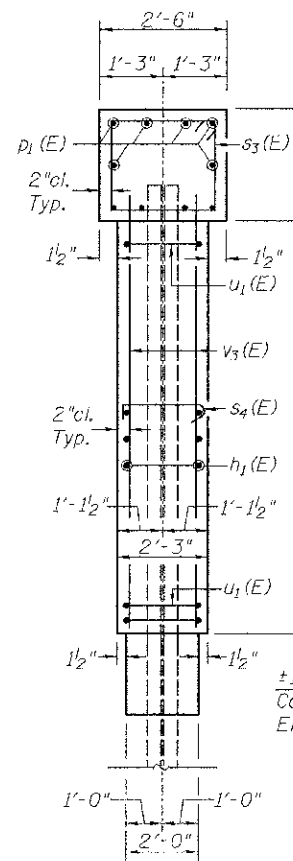
**DETAIL B**  
**ANCHOR BOLT LOCATION**



**TOP PLAN**



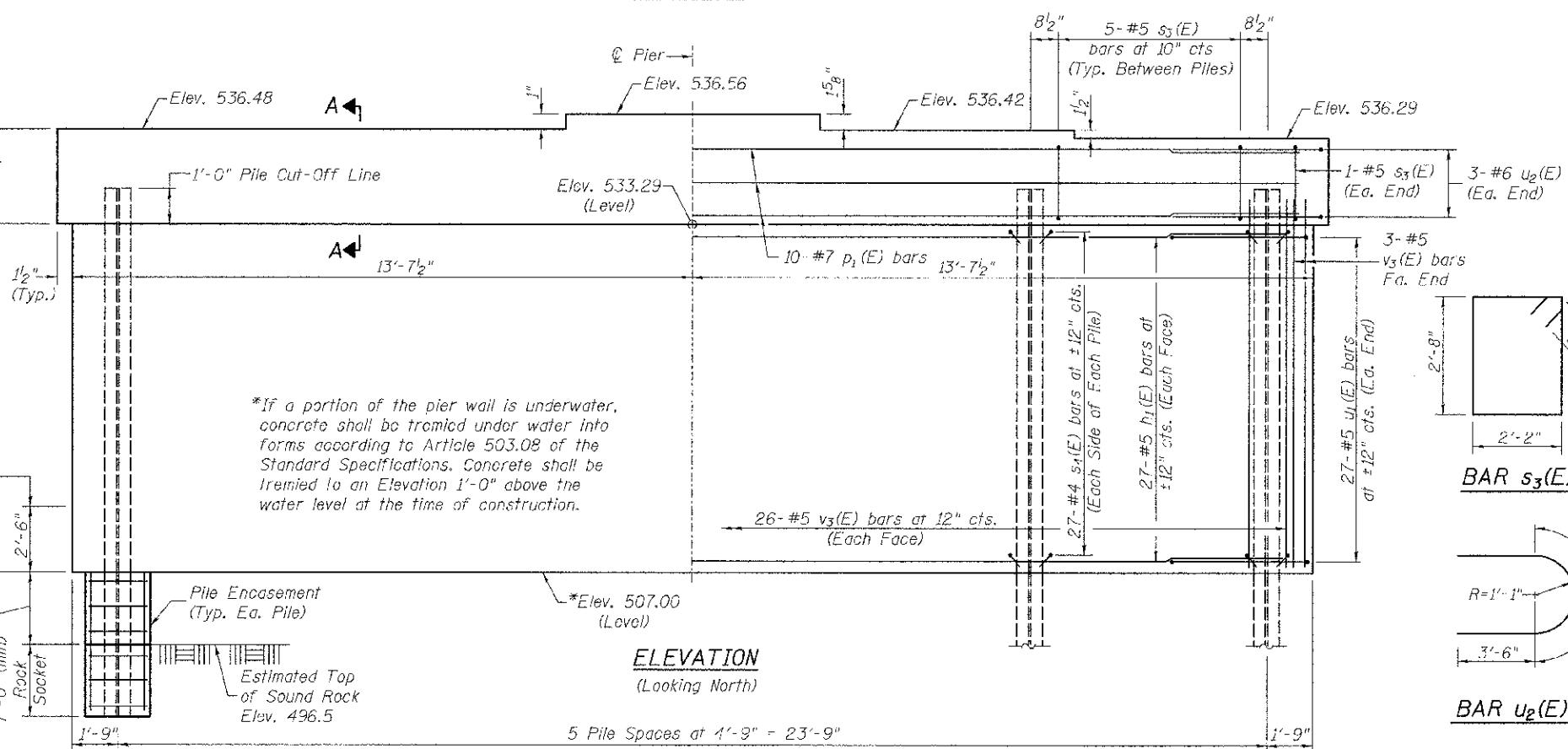
**SECTION A-A**



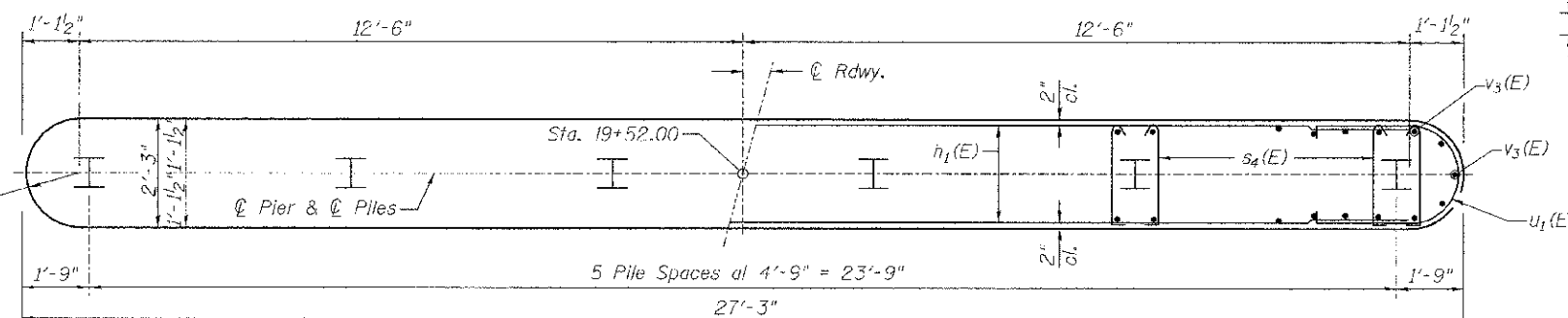
**END VIEW**

**PILE DATA**

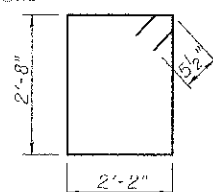
Type & Size: Steel HP12x6.3  
 Nominal Required Bearing: Set in Rock (497 kips)  
 Factored Resistance Available: (273 kips)  
 Est. Length: 45'  
 No. Required: 6



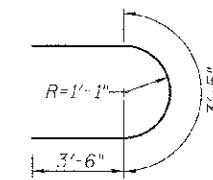
**ELEVATION**  
 (Looking North)



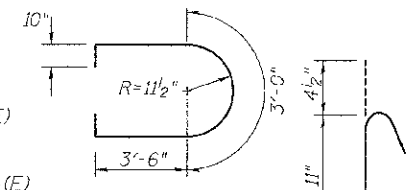
**FOOTING PLAN**



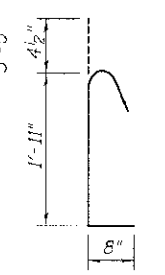
**BAR s3(E)**



**BAR u2(E)**



**BAR u1(E)**



**BAR s4(E)**

**PIER #1**  
**BILL OF MATERIAL**

Bar	No.	Size	Length	Shape	
h1(E)	54	#5	25'-0"	—	
p1(E)	10	#7	25'-0"	—	
s3(E)	27	#5	10'-7"	□	
s4(E)	324	#4	3'-0"	└	
u1(E)	54	#5	11'-8"	U	
u2(E)	6	#6	10'-5"	U	
v3(E)	58	#5	27'-3"	—	
Concrete Structures				CU YD	66.5
Cofferdam Excavation				CU YD	45
Reinforcement Bars, Epoxy Coated				POUND	5,270
Furnishing Steel Piles HP12x6.3				FOOT	270
Setting Piles in Rock				EACH	6
Concrete Encasement				CU YD	7.3
Cofferdam (Type 1) (Location-1)				EACH	1

① See Special Provisions

**PIER #1**  
**C.H. 2 OVER SUGAR CREEK**  
**SECTION 07-00073-00-BR**  
**SCHUYLER COUNTY**  
**STATION 20+00.00**

SHEET NO. 15 17 SHEETS	ROUTE NO. CH 2	SECTION 07-00073-00-BR	COUNTY SCHUYLER	TOTAL SHEETS 35	SHEET NO. 21
	SN 085-3056		CONTRACT NO. 93584		
FED. ROAD DIST. NO. 7 ILLINOIS			FED. AID PROJECT BRS-0455(107)		