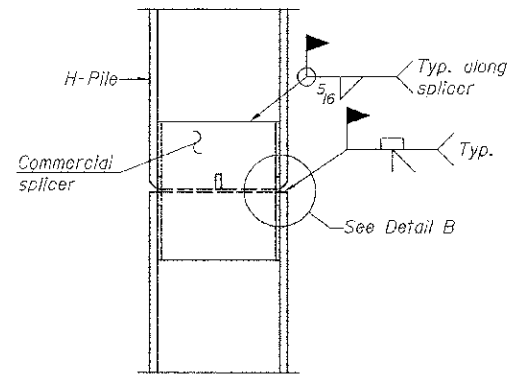


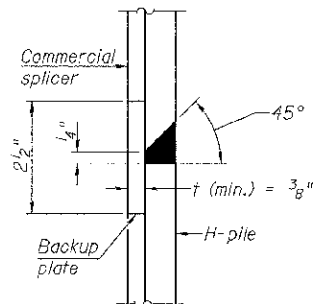
**STEEL PILE TABLE**

Designation	Depth d	Flange width b <sub>f</sub>	Web and Flange thickness t	Encasement diameter
HP 14x117	14 1/4"	14 7/8"	1 3/16"	30"
x102	14"	14 3/4"	1 1/16"	30"
x89	13 5/8"	14 3/4"	5/8"	30"
x73	13 5/8"	14 5/8"	1/2"	30"
HP 12x84	12 1/4"	12 1/4"	1 1/16"	24"
x74	12 1/8"	12 1/4"	5/8"	24"
x63	12"	12 1/8"	1/2"	24"
x53	11 3/4"	12"	7/16"	24"
HP 10x57	10"	10 1/4"	9/16"	24"
x42	9 3/4"	10 1/8"	7/16"	24"
HP 8x36	8"	8 1/8"	7/16"	18"

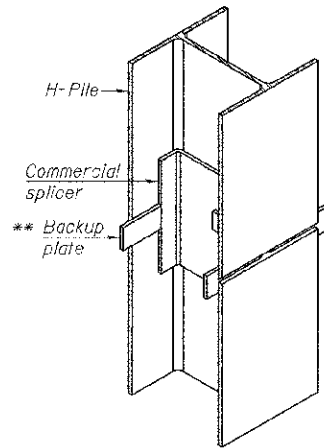
Note:  
The steel H-piles shall be according to AASHTO M270 Grade 50.



**ELEVATION**

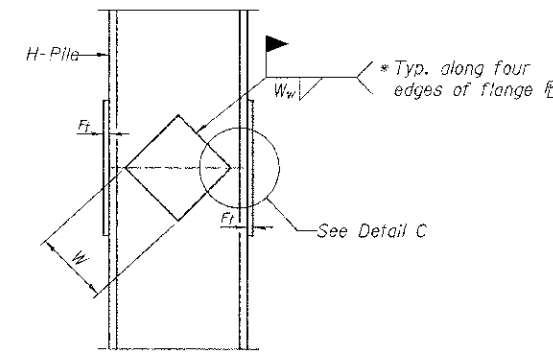


**DETAIL "B"**

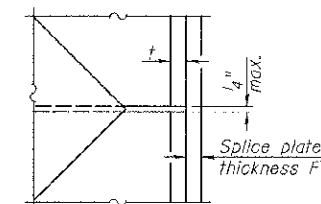


**ISOMETRIC VIEW**

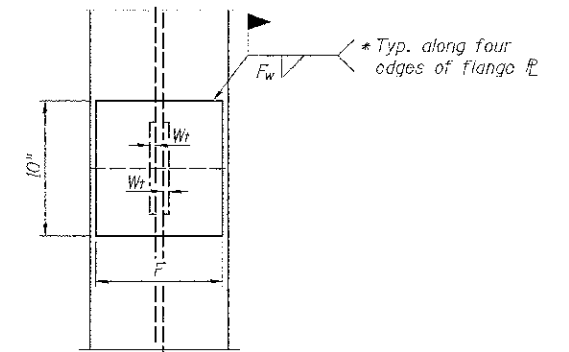
**WELDED COMMERCIAL SPLICE**



**ELEVATION**

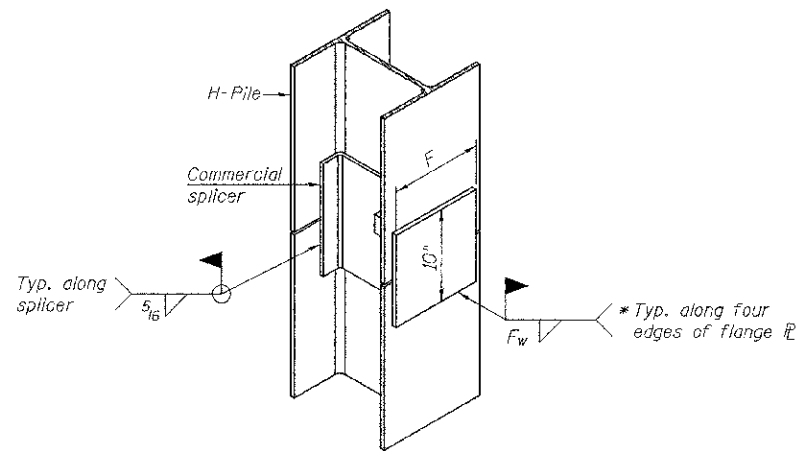


**DETAIL C**



**END VIEW**

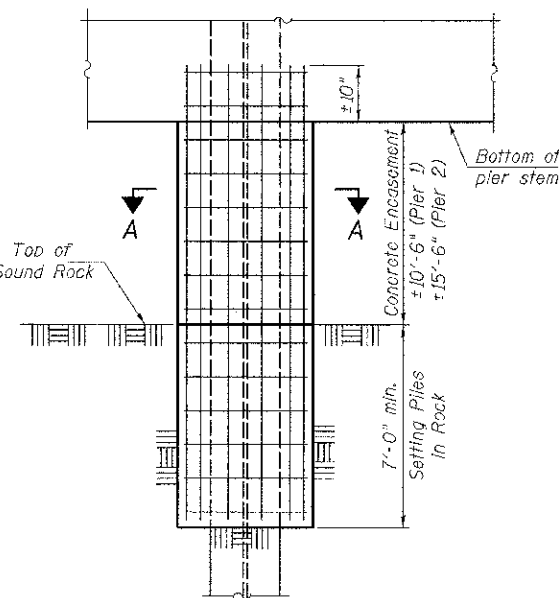
Designation	F	F <sub>t</sub>	F <sub>w</sub>	W	W <sub>t</sub>	W <sub>w</sub>
HP 14x117	12 1/2"	1"	7/8"	7 3/4"	5/8"	1/2"
x102	12 1/2"	7/8"	3/4"	7 3/4"	5/8"	1/2"
x89	12 1/2"	3/4"	1/2"	7 3/4"	5/8"	1/2"
x73	12 1/2"	5/8"	9/16"	7 3/4"	5/8"	1/2"
HP 12x84	10"	7/8"	1/2"	6 1/2"	5/8"	1/2"
x74	10"	7/8"	1/2"	6 1/2"	5/8"	1/2"
x63	10"	5/8"	1/2"	6 1/2"	1/2"	3/8"
x53	10"	5/8"	1/2"	6 1/2"	1/2"	3/8"
HP 10x57	8"	3/4"	9/16"	5 1/4"	1/2"	3/8"
x42	8"	5/8"	9/16"	5 1/4"	1/2"	3/8"
HP 8x36	7"	5/8"	7/16"	4 1/4"	1/2"	3/8"



**ISOMETRIC VIEW**

**WELDED COMMERCIAL SPLICE ALTERNATE**

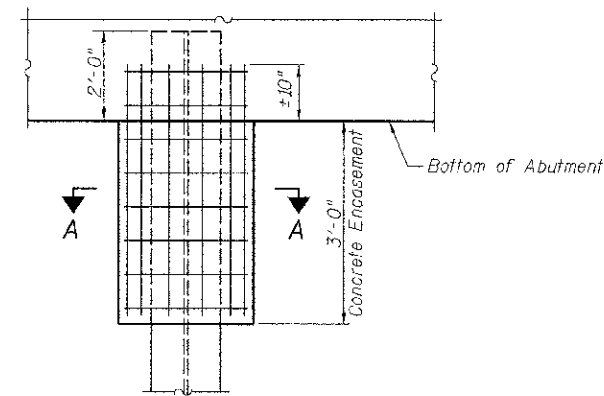
- \* Interrupt welds 1/4" from end of web and/or each flange.
- \*\* Remove portions of backup plates that extend outside the flanges.



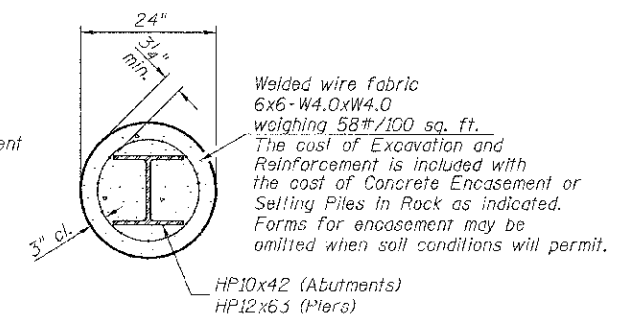
**PIER ELEVATION**

**PILE ENCASEMENT**

**WELDED PLATE FIELD SPLICE**



**ABUTMENT ELEVATION**



**SECTION A-A**

**HP PILE DETAILS  
C.H. 2 OVER SUGAR CREEK  
SECTION 07-00073-00-BR  
SCHUYLER COUNTY  
STATION 20+00.00**

SHEET NO. 17 17 SHEETS	ROUTE NO.	SECTION	COUNTY	TOTAL SHEETS	SHEET NO.
	CH 2	07-00073-00-BR	SCHUYLER	35	23
SN 085-3056			CONTRACT NO. 93584		
FED. ROAD DIST. NO. 7 ILLINOIS			FED. AID PROJECT BRS-0455(107)		