

053

11-09-2018 LETTING ITEM 053

STATE OF ILLINOIS
DEPARTMENT OF TRANSPORTATION

F.A.I.L. RTE.	SECTION	COUNTY	TOTAL SHEETS	SHEET NO.
7890	(4) RS-6	CHRISTIAN	7	1
		ILLINOIS	CONTRACT NO. 72K71	

FOR INDEX OF SHEETS, SEE SHEET NO. 2

PROPOSED IMPROVEMENTS

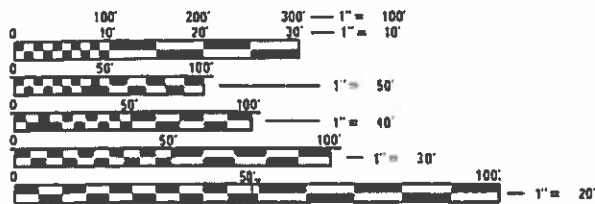
FAU 7890 (WEBSTER ST)
SECTION: (4) RS-6
SMART RESURFACING

CHRISTIAN CO

C-96-105-18

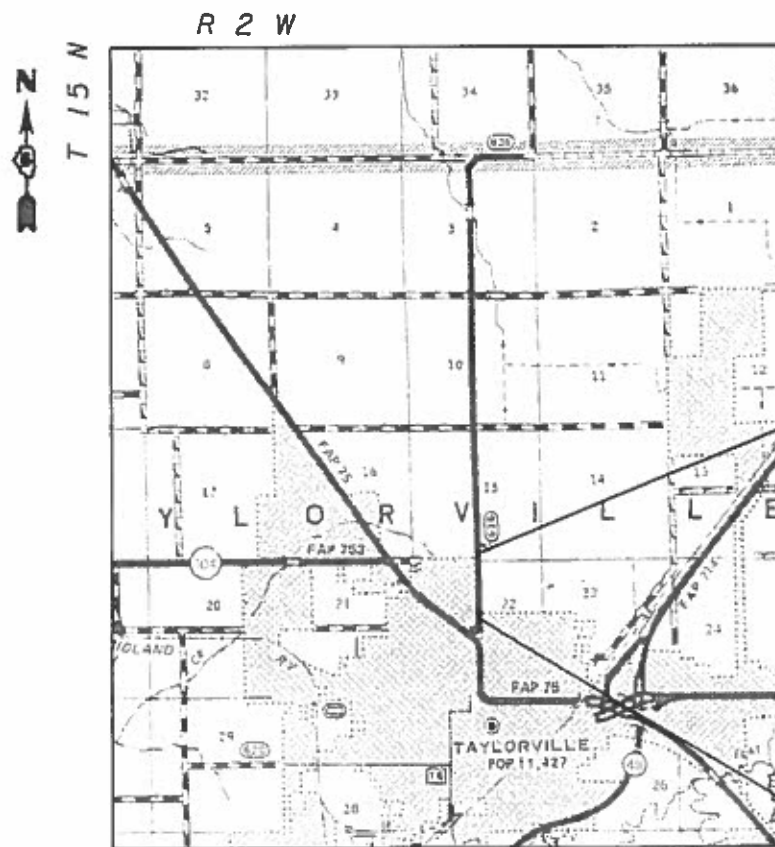


ADT = 1,500
SU = UNKNOWN
MU = UNKNOWN
PV = UNKNOWN



FULL SIZE PLANS HAVE BEEN PREPARED USING STANDARD ENGINEERING SCALES. REDUCED SIZED PLANS WILL NOT CONFORM TO STANDARD SCALES. IN MAKING MEASUREMENTS ON REDUCED PLANS, THE ABOVE SCALES MAY BE USED.

J.U.L.I.E.
JOINT UTILITY LOCATION INFORMATION FOR EXCAVATION
1-800-892-0123
OR 811



BEGIN PROJECT
STA. 809+00.00

END PROJECT
STA. 840+36.00

PROJECT ENGINEER : MIKE IRWIN - (217)524-7765
PROJECT MANAGER : TIM SHARP - (217)524-9160

CONTRACT NO. 72K71

STATE OF ILLINOIS
DEPARTMENT OF TRANSPORTATION

SUBMITTED August 15th 18

Jeffrey M. South
REGION FOUR ENGINEER

Scott A. Etk
ENGINEER OF DESIGN AND ENVIRONMENT

Paul C. [Signature]
DIRECTOR OF HIGHWAYS PROJECT IMPLEMENTATION

PRINTED BY THE AUTHORITY
OF THE STATE OF ILLINOIS

INDEX OF SHEETS

SHEET NO.	DESCRIPTION
1.	COVER SHEET
2.	INDEX OF SHEETS, STANDARDS, GENERAL NOTES & SIGNATURE
3.	SUMMARY OF QUANTITIES
4.	SCHEDULE OF QUANTITIES
5.	PROJECT LOCATION MAP
6-7.	PROJECT TYPICAL SECTIONS

STANDARDS

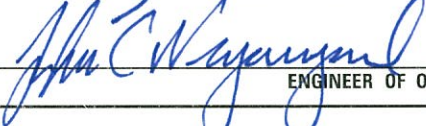


STANDARD NO.	DESCRIPTION
701006-05	OFF-ROAD OPERATIONS, 2L, 2W, 15' (4.5m) TO 24" (600mm) FROM EDGE OF PAVMENT
701311-03	LANE CLOSURE, 2L, 2W, MOVING OPERATIONS, DAY ONLY
701501-06	URBAN LANE CLOSURE, 2L, 2W, UNDIVIDED
701901-07	TRAFFIC CONTROL DEVICES

NOTES

BUTT JOINTS ARE INCLUDED WITH H.M.A. SURFACE REMOVAL.

THE FOLLOWING RATES OF APPLICATION HAVE BEEN ASSUMED IN CALCULATING PLAN QUANTITIES:

STONE DUMPED RIPRAP	1.5 TON/CUBIC YARD
AGGREGATE (SURFACE, BASE, SUBBASE OR BACKFILL)	2.05 TONS/CUBIC YARD
BITUMINOUS MATERIALS (TACK COAT)	0.05 LBS/SQ FT (EX HMA, MILLED SURFACE)
BITUMINOUS MATERIALS (TACK COAT)	0.025 LBS/SQ FT (FOG COAT-BETWEEN HMA LIFT)
BITUMINOUS (PRIME COAT)	0.25 LBS/SQ FT (FOR AGGREGATE BASES)
HMA SURFACE/BINDER SHOULDERS (112 LBS)	0.056 TON/SQUARE YARD - INCH (MIX A-C)
NITROGEN FERTILIZER NUTRIENT	90 LBS/ACRE
POTASSIUM FERTILIZER NUTRIENT	90 LBS/ACRE
PHOSPHOROUS FERTILIZER NUTRIENT	90 LBS/ACRE
MULCH	2 TONS/ACRE
AGRICULTURAL GROUND LIMESTONE	2 TONS/ACRE
TEMPORARY EROSION CONTROL SEEDING	100 LBS/ACRE

STATE OF ILLINOIS DEPARTMENT OF TRANSPORTATION DIVISION OF HIGHWAYS DISTRICT 6	
EXAMINED <u>August 15th</u> 20 <u>18</u>	
	ENGINEER OF OPERATIONS
EXAMINED <u>July 23rd</u> 20 <u>18</u>	
	ENGINEER OF PROJECT IMPLEMENTATION
EXAMINED <u>July 24</u> 20 <u>18</u>	
	ENGINEER OF PROGRAM DEVELOPMENT

MIXTURE REQUIREMENTS	
LOCATION:	FAU 7890 (WEBSTER ST)
MIXTURE USE(S):	H.M.A. SURFACE COURSE, MIX "C", N50
PG:	64-22
DESIGN AIR VOIDS:	4.0% @ N50
MIXTURE COMPOSITION:	IL 9.5
FRICTION AGGREGATE:	MIX C
QUALITY MANAGEMENT:	QC/QA
SUBLOT SIZE:	N/A

				0-01625-6008
				100% STATE
				CHRISTIAN
CODE NO.	ITEM	UNIT	TOTAL QUANTITY	ROADWAY
				0005 URBAN
40600290	BITUMINOUS MATERIALS (TACK COAT)	POUND	4068	4068
40600990	TEMPORARY RAMP	SQ YD	49	49
40603310	HOT-MIX ASPHALT SURFACE COURSE, MIX "C", N50	TON	754	754
40800050	INCIDENTAL HOT-MIX ASPHALT SURFACING	TON	5	5
44000155	HOT-MIX ASPHALT SURFACE REMOVAL, 1 1/2"	SQ YD	9040	9040
44200140	PAVEMENT PATCHING, TYPE I, 12 INCH	SQ YD	30	30
44200144	PAVEMENT PATCHING, TYPE II, 12 INCH	SQ YD	40	40
67100100	MOBILIZATION	L SUM	1	1
70102620	TRAFFIC CONTROL AND PROTECTION STANDARD, 701501	L SUM	1	1
70300100	SHORT TERM PAVEMENT MARKING	FOOT	628	628
70300150	SHORT TERM PAVEMENT MARKING REMOVAL	SQ FT	105	105
70300230	TEMPORARY PAVMENT MARKING - LINE 5"	FOOT	7056	7056
* 78001120	PAINT PAVMENT MARKING - LINE 5"	FOOT	7056	7056
* 78100100	RAISED REFLECTIVE PAVEMENT MARKER	EACH	40	40
78300200	RAISED REFLECTIVE PAVEMENT MARKER REMOVAL	EACH	40	40
Z0033700	LONGITUDINAL JOINT SEALANT	FOOT	3136	3136

* SPECIALTY ITEM

FILE NAME =	USER NAME = sharptd	DESIGNED - _____	REVISED - _____	STATE OF ILLINOIS DEPARTMENT OF TRANSPORTATION	SUMMARY OF QUANTITIES			F.A.U. RTE.	SECTION	COUNTY	TOTAL SHEETS	SHEET NO.
S:\CONTRMAINT_CAD\72K71 - FAS 636 (Mt. Auburn Rd.) Christian Co. - Smart\PLANS\72K71-sharptd	DRAWN - DMS	REVISION - _____	REVISION - _____					7890	(4) RS-6	CHRISTIAN	7	3
Default	PLOT SCALE = 40.0000' / in.	CHECKED - _____	REVISION - _____		SCALE: _____ SHEET _____ OF _____ SHEETS STA. _____ TO STA. _____			CONTRACT NO. 72K71				
	PLOT DATE = 8/24/2018	DATE - _____	REVISION - _____		ILLINOIS FED. AID PROJECT							

40603310		HOT-MIX ASPHALT SURFACE COURSE, MIX "C", N50						
STA.	TO	STA.	LENGTH FOOT	WIDTH FOOT	AREA SQ FT	DEPTH INCH	RATE TON/SQ IN	TON
809+00.00	TO	810+95.00	195	22	4290.00	1.5	0.056	40
810+95.00	TO	839+22.00	2827	26	73502.00	1.5	0.056	686
839+22.00	TO	840+36.00	114	26.667	3040.04	1.5	0.056	28
TOTAL								754

40600290		BITUMINOUS MATERIALS (TACK COAT)					
STA.	TO	STA.	LENGTH FT	WIDTH FT	AREA SQ FT	RATE POUND/SQ FT	POUNDS
809+00.00	TO	810+95.00	195	22	4290.00	0.05	215
810+95.00	TO	839+22.00	2827	26	73502.00	0.05	3675
839+22.00	TO	840+36.00	114	26.667	3040.04	0.05	152
RT 810+50.00 SIDEROAD					525.00	0.05	26
TOTAL							4068

44000155		HMA SURFACE REMOVAL, 1 1/2"			
STA.	TO	STA.	LENGTH FT	WIDTH FT	AREA SQ YD
809+00.00	TO	810+95.00	195	22	476.67
810+95.00	TO	839+22.00	2827	26	8166.89
839+22.00	TO	840+36.00	114	26.667	337.78
RT 810+50.00 SIDEROAD					58.33
TOTAL					9040

*1 1/2" BUTT JOINTS INCLUDED IN HMA SURFACE REMOVAL, 1 1/2"

40800050		INCIDENTAL HOT-MIX ASPHALT SURFACING			
STA.	AREA SQ FT	DEPTH INCH	RATE POUNDS/SQ FT	TON	
RT 810+50.00 SIDEROAD	585	1.5	0.05	5	
TOTAL				5	

STATION	40600990 LENGTH (1:40) (FEET)	TEMPORARY RAMP WIDTH (FEET)	(SQ YD)
809+00.00	5	22	12
810+50.00	5	40	22
840+36.00	5	26.667	15
TOTAL			49

78001120	PAINT PAVEMENT MARKING - LINE 5"	
STATION	YELLOW SKIP DASH	WHITE EDGE LINE
FOOT		
809+00.00 TO 840+36.00	784	
LT & RT 809+00.00 TO 840+36.00		6272
TOTAL		7056

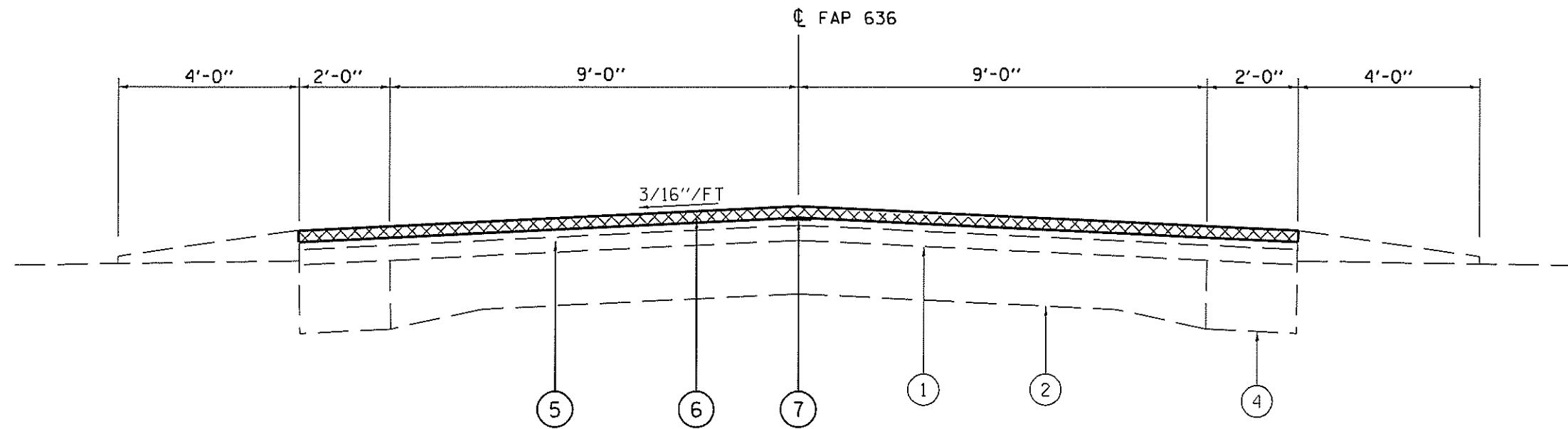
70300220	TEMPORARY PAINT PAVEMENT MARKING - LINE 4"	
STATION	YELLOW SKIP DASH	WHITE EDGE LINE
FOOT		
809+00.00 TO 840+36.00	784	
LT & RT 809+00.00 TO 840+36.00		6272
TOTAL		7056

70300100	SHORT TERM PAVEMENT MARKING
809+00.00 TO 840+36.00	628

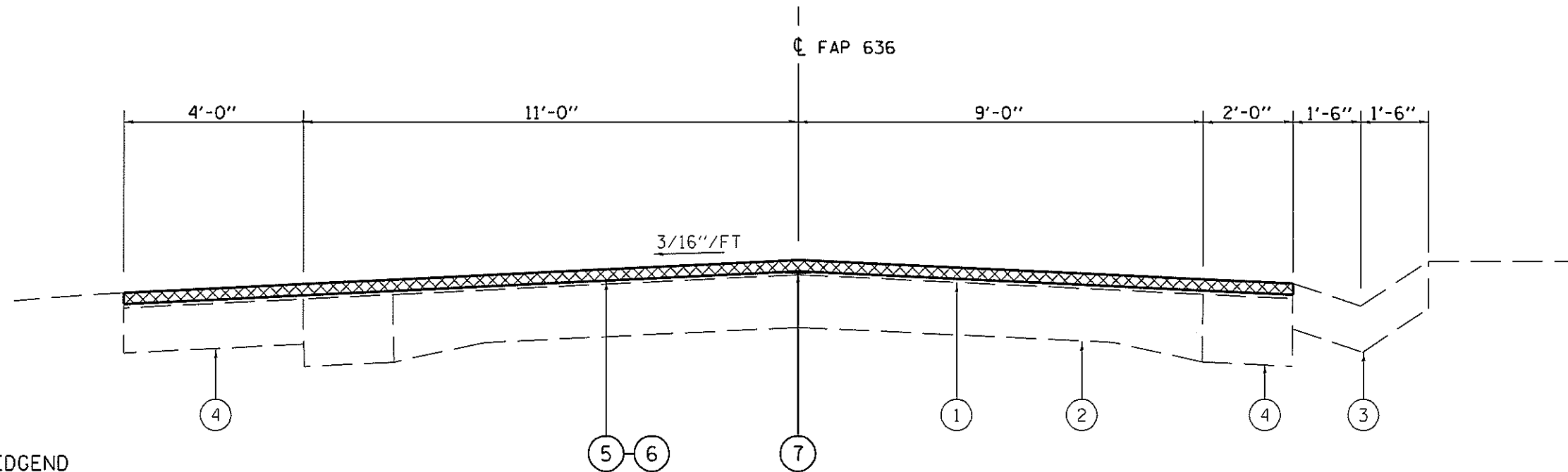
70300150	SHORT TERM PAVEMENT MARKING REMOVAL
809+00.00 TO 840+36.00	105

78100100	RAISED REFLECTIVE PAVEMENT MARKER	
LENGTH (FEET)	SPACING (FEET)	EACH
3136	80	40

78300200	RAISED REFLECTIVE PAVEMENT MARKER REMOVAL	
LENGTH (FEET)	SPACING (FEET)	EACH
3136	80	40



STA. 809+00 TO STA. 810+95



STA. 810+95 TO STA. 839+22

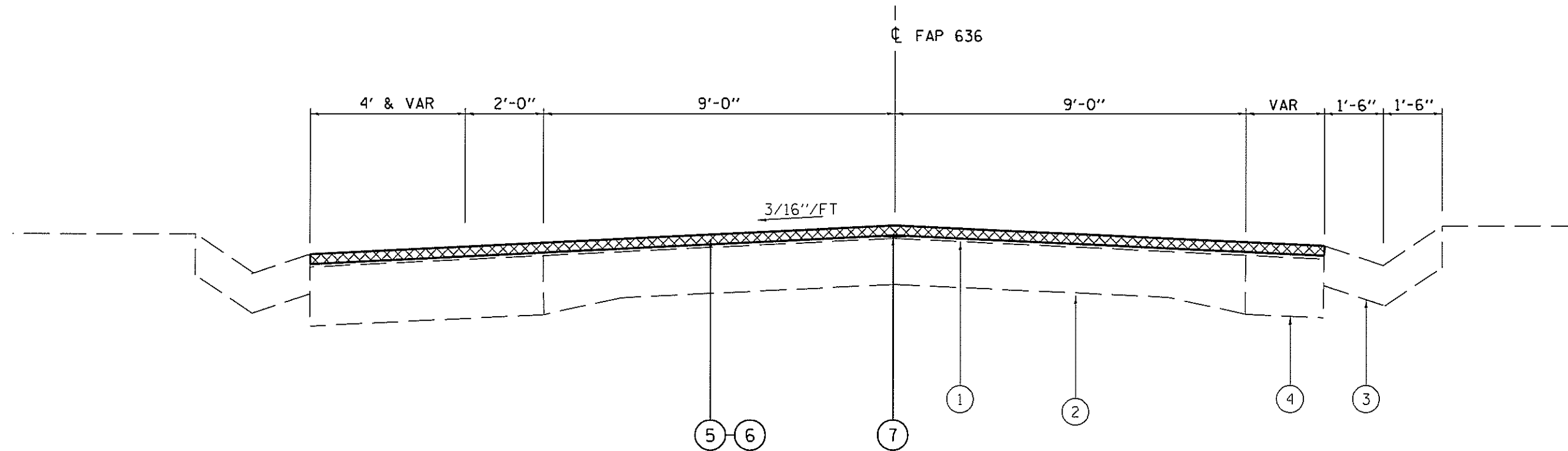
LEDGEND

- ① EXIST. BITUMINOUS SURFACE
- ② EXIST. P.C.C. PAVEMENT
- ③ EXIST. CONC. GUTTER
- ④ EXIST. BITUMINOUS WIDENING
- ⑤ PROP. BITUMINOUS SURFACE REMOVAL, 1 1/2"
- ⑥ PROP. HOT-MIX ASPHALT SURFACE COURSE, MIX "C", N50
- ⑦ PROP. LOGITUDINAL JOINT SEALANT

STATE OF ILLINOIS
DEPARTMENT OF TRANSPORTATION

TYPICALS

FILE NAME =	USER NAME = sharpzd	DESIGNED -	REVISED -	STATE OF ILLINOIS DEPARTMENT OF TRANSPORTATION	TYPICALS	F.A.J. RTE.	SECTION	COUNTY	TOTAL SHEETS	SHEET NO.	
S:\CDTR\MAINT\CAD\72K71 - FAS 636 (M.L.A.)	burn Rd\Christian Co. - Smart\PLANS\72K71-sharpzd	DRAWN -	REVISED -			789D	141 RS-6	CHRISTIAN	7	6	
PLOT SCALE = 3.0000" / 1"		CHECKED -	REVISED -			CONTRACT NO. 72K71					
PLOT DATE = 8/13/2018		DATE -	REVISED -			ILLINOIS FED. AID PROJECT					



STA. 839+22 TO STA. 840+36

LEDGEND

- ① EXIST. BITUMINOUS SURFACE
- ② EXIST. P.C.C. PAVEMENT
- ③ EXIST. CONC. GUTTER
- ④ EXIST. BITUMINOUS WIDENING
- ⑤ PROP. BITUMINOUS SURFACE REMOVAL, 1 1/2"
- ⑥ PROP. HOT-MIX ASPHALT SURFACE COURSE, MIX "C", N50
- ⑦ PROP. LOGITUDINAL JOINT SEALANT

FILE NAME =	USER NAME = sharptd	DESIGNED -	REVISED -	STATE OF ILLINOIS DEPARTMENT OF TRANSPORTATION	TYPICALS	F.A.D. RTE.	SECTION	COUNTY	TOTAL SHEETS	SHEET NO.	
S:\CONTRMAINT_CAD\72K71 - FAS 636 (Wt. A	burn Rd\Christian Co. - Smart\PLANS\72K71-sh	ORAW\jalsodgn	REVISED -			7890	(4) RS-6	CHRISTIAN	7	7	
PLOT SCALE = 3.0000 "/ in.	CHECKED -	REVISED -	SCALE:			SHEET	OF	SHEETS	STA.	TO STA.	ILLINOIS FED. AID PROJECT
Default	PLOT DATE = 8/15/2018	DATE -	REVISED -			CONTRACT NO. 72K71					