

055

11-09-2018 LETTING ITEM 055

# STATE OF ILLINOIS DEPARTMENT OF TRANSPORTATION

F.A.U. RTE.	SECTION	COUNTY	TOTAL SHEETS	SHEET NO.
7825	(11) PP	ADAMS	6	1
		ILLINOIS	CONTRACT NO. 72K89	

FOR INDEX OF SHEETS, SEE SHEET NO. 2

# PROPOSED IMPROVEMENTS

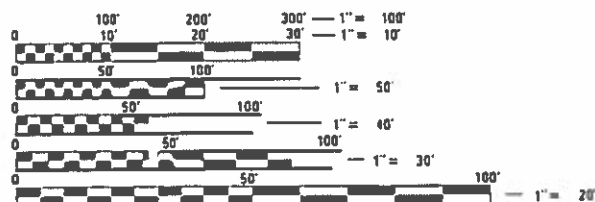
FAU 7825 (IL 96)  
(11) PP  
CLASS C PATCHING

ADAMS CO.

C-96-009-19

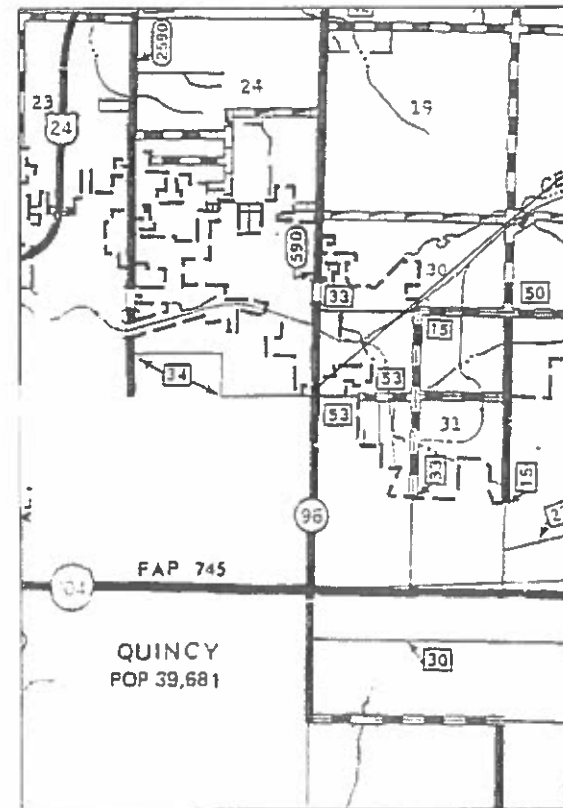


ADT = 9950  
SU = 4.55%  
MU = 1.48%



FULL SIZE PLANS HAVE BEEN PREPARED USING STANDARD ENGINEERING SCALES. REDUCED SIZED PLANS WILL NOT CONFORM TO STANDARD SCALES. IN MAKING MEASUREMENTS ON REDUCED PLANS, THE ABOVE SCALES MAY BE USED.

J.U.L.I.E.  
JOINT UTILITY LOCATION INFORMATION FOR EXCAVATION  
1-800-892-0123  
OR 811



START PROJECT  
STATION 29+588.277

END PROJECT  
STATION 31+239.537

GROSS LENGTH = 5,491.2 FT = 1.04 MILES  
NET LENGTH = 5,491.2 FT = 1.04 MILES

PROJECT ENGINEER : MIKE IRWIN - (217)524-7765  
PROJECT MANAGER : TIM SHARP - (217)524-9160

CONTRACT NO. 72K89

STATE OF ILLINOIS  
DEPARTMENT OF TRANSPORTATION

SUBMITTED August 14, 2018

*[Signature]*  
REGION FOUR ENGINEER

*[Signature]*  
ENGINEERS OF DESIGN AND ENVIRONMENT

*[Signature]*  
DIRECTOR OF HIGHWAYS PROJECT IMPLEMENTATION

PRINTED BY THE AUTHORITY  
OF THE STATE OF ILLINOIS

INDEX OF SHEETS

SHEET NO.	DESCRIPTION
1.	COVER SHEET
2.	INDEX OF SHEETS, STANDARDS, GENERAL NOTES & SIGNATURES
3.	SUMMARY OF QUANTITIES
4.	PROJECT TYPICAL SECTIONS
5.	PROJECT TYPICAL SECTIONS
6.	PROJECT TYPICAL SECTIONS

STANDARDS

STANDARD NO.	DESCRIPTION
442201-03	CLASS C and D PATCHES
701602-09	URBAN LANE CLOSURE, MULTILANE, 2W WITH BIDIRECTIONAL LEFT TURN LANE
701701-10	URBAN LANE CLOSURE, MULTILANE INTERSECTION
701901-07	TRAFFIC CONTROL DEVICES
780001-05	TYPICAL PAVEMENT MARKINGS

NOTES:

D-6 OPERATIONS WILL PLACE PERMANENT PAVEMENT MARKINGS

**STATE OF ILLINOIS  
DEPARTMENT OF TRANSPORTATION  
DIVISION OF HIGHWAYS  
DISTRICT 6**

---

EXAMINED August 14<sup>th</sup> 2018  
John C. Wyszynski  
 ENGINEER OF OPERATIONS

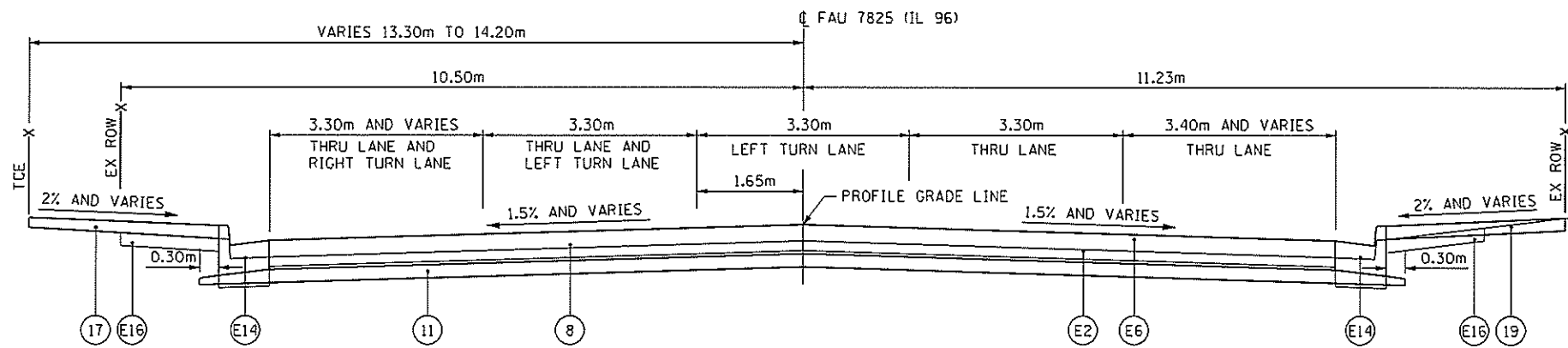
---

EXAMINED August 2<sup>nd</sup> 2018  
Don J. Graham  
 ENGINEER OF PROJECT IMPLEMENTATION

---

EXAMINED August 9 2018  
Julie P. Meyer  
 ENGINEER OF PROGRAM DEVELOPMENT

				0-01625-6013
				100% STATE
				ADAMS
				ROADWAY
				0006
CODE NO.	ITEM	UNIT	TOTAL QUANTITY	URBAN
44201373	CLASS C PATCHES, TYPE I, 12 INCH	SQ YD	27	27
44201377	CLASS C PATCHES, TYPE II, 12 INCH	SQ YD	297	297
44201381	CLASS C PATCHES, TYPE III, 12 INCH	SQ YD	85	85
44201383	CLASS C PATCHES, TYPE IV, 12 INCH	SQ YD	372	372
67100100	MOBILIZATION	L.SUM	1	1
70102632	TRAFFIC CONTROL AND PROTECTION, STANDARD 701602	L.SUM	1	1
70102635	TRAFFIC CONTROL AND PROTECTION, STANDARD 701701	L.SUM	1	1



NOTE:  
1. THE TCE IS AT THE EDGE OF THE BUILDING.

TYPICAL FAU 7825 (IL 96) SECTION  
STA 29+588.277 TO STA 29+630.000

LEGEND

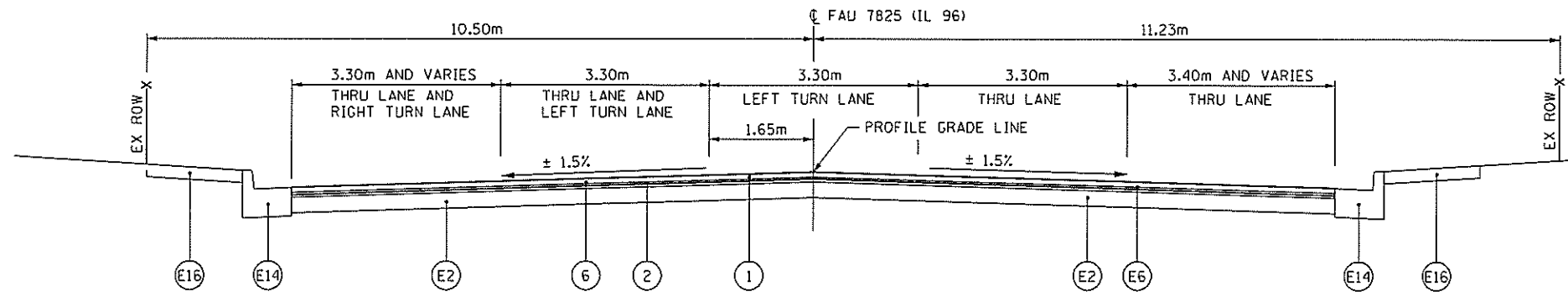
- ⊘ 8 EXISTING PORTLAND CEMENT CONCRETE PAVEMENT, 230 mm
- ⊘ 11 EXISTING SUB-BASE GRANULAR MATERIAL, TYPE B (100 mm MIN)
- ⊘ 12 EXISTING COMBINATION CONCRETE CURB AND GUTTER, TYPE B-15.60
- ⊘ 13 EXISTING PORTLAND CEMENT CONCRETE SIDEWALK, 100 mm
- ⊘ 17 EXISTING CONCRETE MEDIAN SURFACE, 100mm
- ⊘ 19 EXISTING INCIDENTAL BITUMINOUS SURFACING, 100mm
- ⊘ 24 EXISTING SODDING, SALT TOLERANT
  
- ⊘ E2 EXISTING PCC PAVEMENT, 200 mm
- ⊘ E6 EXISTING BITUMINOUS CONCRETE SURFACE, 75 mm
- ⊘ E12 EXISTING CURB
- ⊘ E14 EXISTING COMBINATION CURB AND GUTTER
- ⊘ E16 EXISTING SIDEWALK

FILE NAME =	USER NAME = nicholson1	DESIGNED -	REVISED -
S:\CONTRMAINT\CAD\72K89 - ILL 96\ADAMS	CD - PATCHING\PLANS\72K89\SHIT-4-typicals.dwg	DRAWN -	REVISED -
	PLOT SCALE = 3.00000 ' / 1"	CHECKED -	REVISED -
Default:	PLOT DATE = 8/10/2018	DATE -	REVISED -

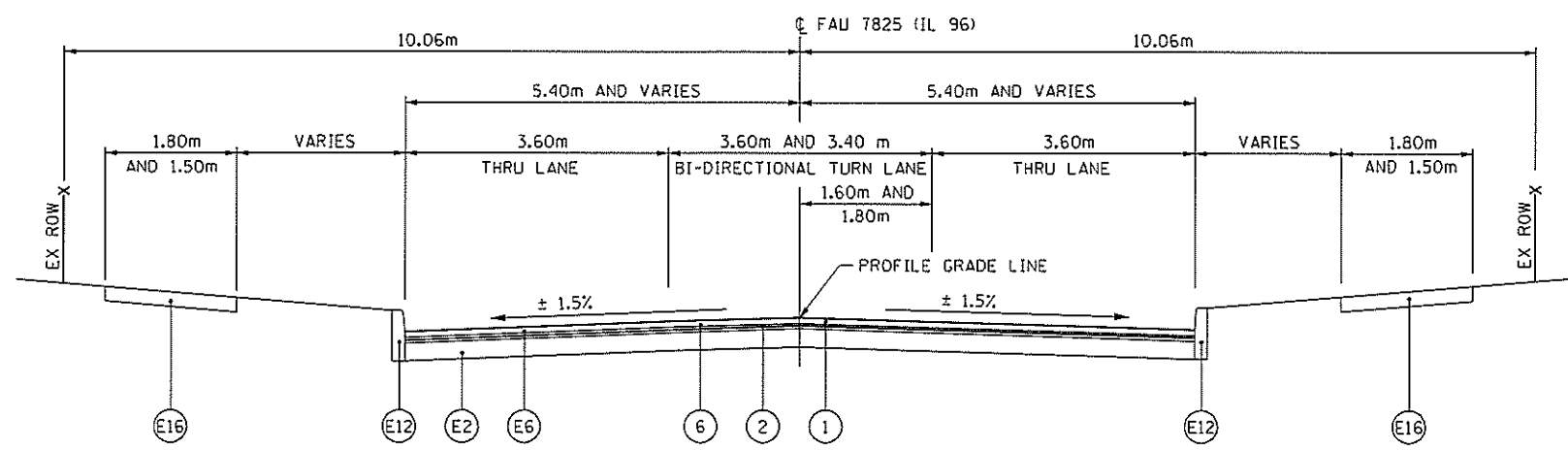
STATE OF ILLINOIS  
DEPARTMENT OF TRANSPORTATION

TYPICALS

SCALE:	SHEET	OF	SHEETS	STA.	TO	STA.	F.A.U. RTE. 7825	SECTION (1) PP	COUNTY ADAMS	TOTAL SHEETS 6	SHEET NO. 4
										CONTRACT NO. 72K89	
										ILLINOIS FED. AID PROJECT	

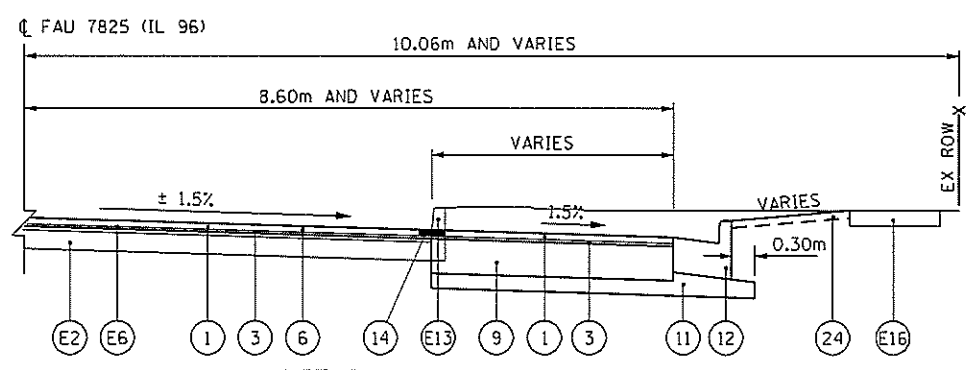


TYPICAL FAU 7825 (IL 96) SECTION  
STA 29+630.000 TO STA 29+770.760

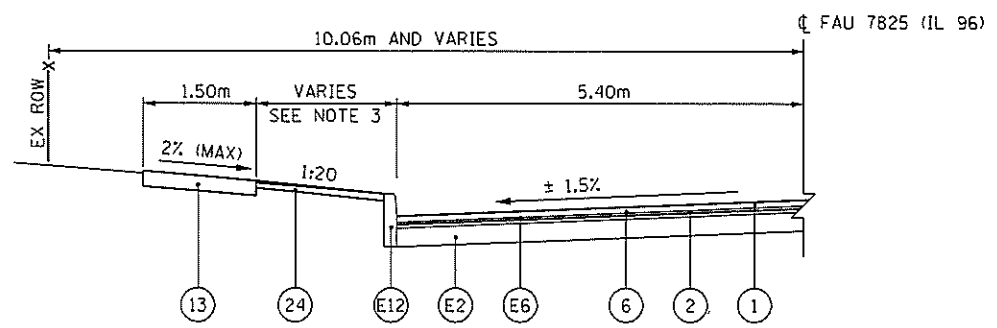


TYPICAL FAU 7825 (IL 96) SECTION  
STA 29+770.760 TO STA 30+282.000 \* \* SEE DETAIL C  
STA 30+282.000 TO STA 30+565.770 PROJECT OMISSION  
STA 30+565.770 TO STA 31+128.501 \*\* \*\* SEE DETAILS C & D

- LEGEND
- ① EXISTING POLYMERIZED BITUMINOUS CONCRETE SURFACE COURSE, SUPERPAVE, MIX "D", N70, 38 mm
  - ② EXISTING LEVELING BINDER (MACHINE METHOD), SUPERPAVE N70, 19 mm AND VARIES
  - ③ EXISTING LEVELING BINDER (MACHINE METHOD), SUPERPAVE N70, 25 mm AND VARIES
  - ⑥ EXISTING BITUMINOUS SURFACE REMOVAL (COLD MILLING), 57 mm AND VARIABLE
  - ⑨ EXISTING PORTLAND CEMENT CONCRETE BASE COURSE WIDENING, 225 mm
  - ⑪ EXISTING SUB-BASE GRANULAR MATERIAL, TYPE B (100 mm MIN)
  - ⑫ EXISTING COMBINATION CONCRETE CURB AND GUTTER, TYPE B-15.60
  - ⑬ EXISTING PORTLAND CEMENT CONCRETE SIDEWALK, 100 mm
  - ⑭ EXISTING STRIP REFLECTIVE CRACK CONTROL TREATMENT
  - ⑳ EXISTING SODDING, SALT TOLERANT
  - E2 EXISTING PCC PAVEMENT, 200 mm
  - E6 EXISTING BITUMINOUS CONCRETE SURFACE, 75 mm
  - E12 EXISTING CURB
  - E13 EXISTING CONCRETE CURB TYPE B OR EXISTING COMBINATION CURB AND GUTTER
  - E14 EXISTING COMBINATION CURB AND GUTTER
  - E16 EXISTING SIDEWALK

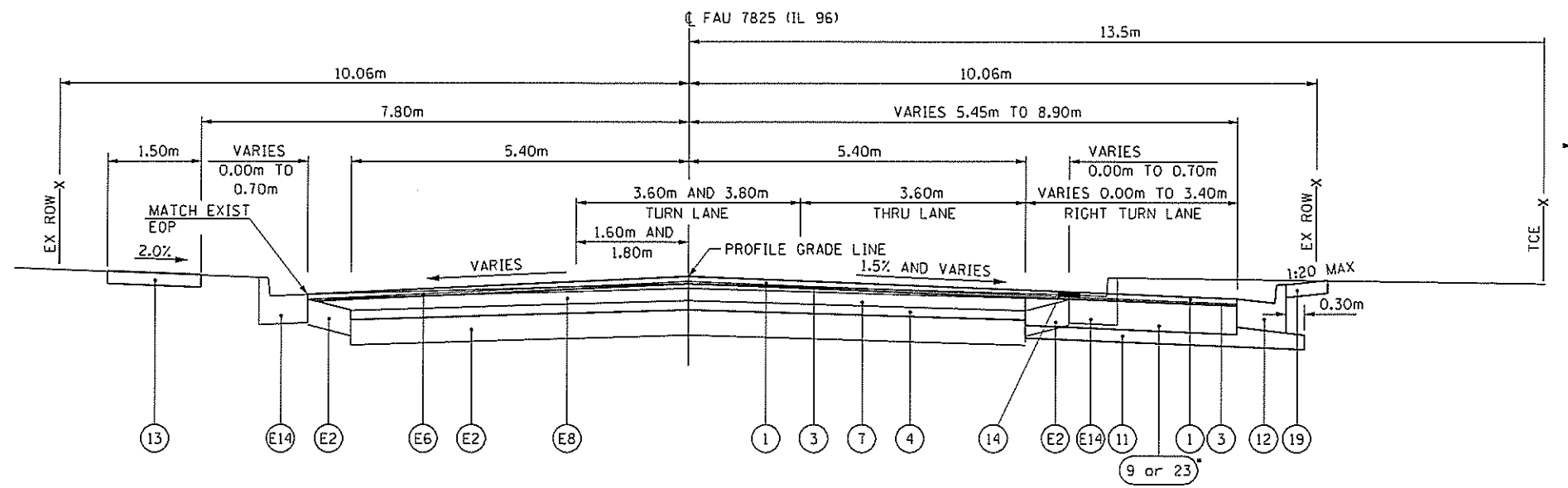


DETAIL C  
STA 29+832.791 TO STA 29+887.364 LT  
STA 29+855.431 TO STA 29+906.109 RT  
STA 30+661.406 TO STA 30+712.028 LT  
STA 30+680.294 TO STA 30+733.267 RT



DETAIL D  
STA 30+782.5 TO STA 30+878.5 LT  
STA 30+988.9 TO STA 31+128.501 LT

FILE NAME =	USER NAME = nicholsonj	DESIGNED -	REVISED -	<b>STATE OF ILLINOIS DEPARTMENT OF TRANSPORTATION</b>	<b>TYPICALS</b>			F.A.U. RTE.	SECTION	COUNTY	TOTAL SHEETS	SHEET NO.
S:\CONTRMNT_CAD\72K89 - IL 96\ADAMS	DD - PATCHING\PLANS\72K89-SHT-5-typicals.dwg	DRAWN -	REVISED -					7825	(11) PP	ADAMS	6	5
Default	PLT DATE = 8/10/2018	CHECKED -	REVISED -		SCALE: SHEET OF SHEETS STA. TO STA.			CONTRACT NO. 72K89				
		DATE -	REVISED -		ILLINOIS FED. AID PROJECT							



TYPICAL FAU 7825 (IL 96) SECTION  
 STA 31+128.501 TO STA 31+239.537

\* - PCC BASE COURSE WHEN WIDTH IS 1.8 m OR GREATER

LEGEND

- ① EXISTING POLYMERIZED BITUMINOUS CONCRETE SURFACE COURSE, SUPERPAVE, MIX "D", N70, 38 mm
- ③ EXISTING LEVELING BINDER (MACHINE METHOD), SUPERPAVE N70, 25 mm AND VARIES
- ④ EXISTING LEVELING BINDER (MACHINE METHOD), SUPERPAVE N70, VARIABLE THICKNESS
- ⑦ EXISTING BITUMINOUS SURFACE REMOVAL (COLD MILLING), VARIABLE THICKNESS
- ⑨ EXISTING PORTLAND CEMENT CONCRETE BASE COURSE WIDENING, 225 mm
- ⑪ EXISTING SUB-BASE GRANULAR MATERIAL, TYPE B (100 mm MIN)
- ⑫ EXISTING COMBINATION CONCRETE CURB AND GUTTER, TYPE B-15.60
- ⑬ EXISTING PORTLAND CEMENT CONCRETE SIDEWALK, 100 mm
- ⑭ EXISTING STRIP REFLECTIVE CRACK CONTROL TREATMENT
- ⑱ EXISTING SEGMENTAL CONCRETE BLOCK WALL
- ⑲ EXISTING INCIDENTAL BITUMINOUS SURFACING, 100mm
- ⑳ EXISTING PORTLAND CEMENT CONCRETE BASE COURSE, 230 mm
- ㉓ EXISTING SODDING, SALT TOLERANT
- E2 EXISTING PCC PAVEMENT, 200 mm
- E6 EXISTING BITUMINOUS CONCRETE SURFACE, 75 mm
- E8 EXISTING VARIABLE THICKNESS BITUMINOUS CONCRETE BINDER COURSE
- E14 EXISTING COMBINATION CURB AND GUTTER

FILE NAME =	USER NAME = nicholson1	DESIGNED -	REVISED -	<b>STATE OF ILLINOIS DEPARTMENT OF TRANSPORTATION</b>	<b>TYPICALS</b>		F.A.U. RTE.	SECTION	COUNTY	TOTAL SHEETS	SHEET NO.
S:\CONTRMAINT.CAD\72K89 - (IL 96) ADAMS	CD - PATCHING\PLANS\72K89-SHT-6-uploads.dwg	DRAWN -	REVISED -				7825	(1) PP	ADAMS	6	6
	PLOT SCALE = 3.0000' / 1"	CHECKED -	REVISED -		SCALE: SHEET OF SHEETS STA. TO STA.		CONTRACT NO. 72K89				
Default	PLOT DATE = 8/10/2018	DATE -	REVISED -		[ILLINOIS] FED. AID PROJECT						