

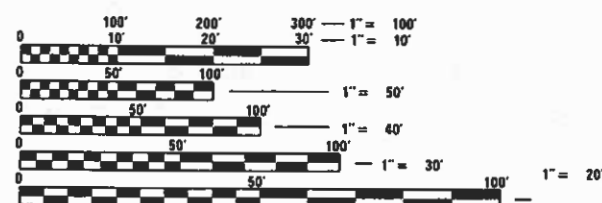
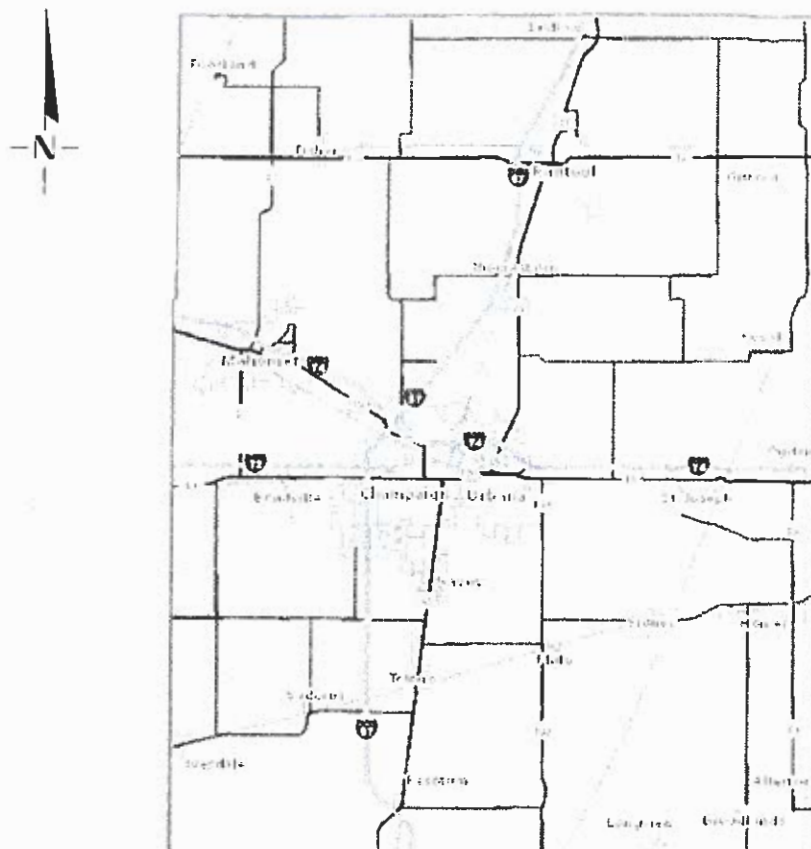
F.A.S. RTE.	SECTION	COUNTY	TOTAL SHEETS	SHEET NO.
	16-00444-00-SP	CHAMPAIGN	53	1
FEDERAL AID PROJECT	ILLINOIS	CONTRACT NO. 91550		

STATE OF ILLINOIS
DEPARTMENT OF TRANSPORTATION
**PLANS FOR PROPOSED
HIGHWAY SAFETY
IMPROVEMENT PROJECT**
VARIOUS ROUTES
SECTION 16-00444-00-SP
PROJECT NA88(822)
CHAMPAIGN COUNTY
C-95-309-17
FUNDING TYPE HSIP & LOCAL

INDEX OF SHEETS

SHEET NO.	TITLE
1.	COVER SHEET
2.	SUMMARY OF QUANTITIES, GENERAL NOTES, STANDARDS AND ENTRANCE DETAILS
3.	TYPICAL CROSS SECTIONS
4.-12.	SCHEDULES OF QUANTITIES
13.-14.	LOCATION MAPS
15.-51.	PLAN SHEETS
52.	CONCRETE COLLAR
53.	STEEL PLATE BEAM GUARDRAIL, SHORT RADIUS

SEE SHEET 2 FOR
LIST OF ILLINOIS DOT HIGHWAY STANDARDS



FULL SIZE PLANS HAVE BEEN PREPARED USING STANDARD ENGINEERING SCALES. REDUCED SIZED PLANS WILL NOT CONFORM TO STANDARD SCALES. IN MAKING MEASUREMENTS ON REDUCED PLANS, THE ABOVE SCALES MAY BE USED.

J.U.L.I.E.
JOINT UTILITY LOCATION INFORMATION FOR EXCAVATION
1-800-892-0123
OR 811



Kimberly S. Cummins 7/30/18
ILLINOIS PROFESSIONAL NO. 56816
(Expires 11/30/19)

STATE OF ILLINOIS
DEPARTMENT OF TRANSPORTATION

APPROVED 7-19 2018
J. Blue
CHAMPAIGN COUNTY ENGINEER

PASSED AUGUST 15 2018
[Signature]
DISTRICT FIVE ENGINEER OF LOCAL ROADS AND STREETS

RELEASED FOR BID BASED ON LIMITED REVIEW August 15 2018
[Signature]
REGION THREE ENGINEER

**PRINTED BY THE AUTHORITY
OF THE STATE OF ILLINOIS**

SUMMARY OF QUANTITIES

CODE NO.	ITEM	UNIT	TOTAL QUANTITY
Δ 20400800	FURNISHED EXCAVATION	CU YD	5,280
Δ 21400100	GRADING AND SHAPING DITCHES	FOOT	1,377
Δ 25100630	EROSION CONTROL BLANKET	SQ YD	2,258
28000250	TEMPORARY EROSION CONTROL SEEDING	POUND	500
28000305	TEMPORARY DITCH CHECKS	FOOT	152
Δ 28000400	PERIMETER EROSION BARRIER	FOOT	20,447
Δ 28000500	INLET AND PIPE PROTECTION	EACH	27
Δ 44004000	PAVED DITCH REMOVAL	FOOT	105
Δ 48203021	HOT-MIX ASPHALT SHOULDERS, 6"	SQ YD	36
Δ 50105220	PIPE CULVERT REMOVAL	FOOT	68
Δ 54002020	EXPANSION BOLTS 3/4 INCH	EACH	8
Δ 54248510	CONCRETE COLLAR	CU YD	4.2
63000001	STEEL PLATE BEAM GUARDRAIL, TYPE A, 6 FOOT POSTS	FOOT	1,875.0
63000003	STEEL PLATE BEAM GUARDRAIL, TYPE A, 9 FOOT POSTS	FOOT	9,262.5
63000009	STEEL PLATE BEAM GUARDRAIL, TYPE B, 9 FOOT POSTS	FOOT	425.0
63000350	LONG-SPAN GUARDRAIL OVER CULVERT, 12 FT 6 IN SPAN	FOOT	75.0
63100045	TRAFFIC BARRIER TERMINAL, TYPE 2	EACH	8
63100075	TRAFFIC BARRIER TERMINAL, TYPE 5A	EACH	9
63100085	TRAFFIC BARRIER TERMINAL, TYPE 6	EACH	4
63100167	TRAFFIC BARRIER TERMINAL, TYPE 1 (SPECIAL) TANGENT	EACH	215
63100169	TRAFFIC BARRIER TERMINAL, TYPE 1 (SPECIAL) FLARED	EACH	5
63200310	GUARDRAIL REMOVAL	FOOT	16,958.0
67100100	MOBILIZATION	LSUM	1
70100450	TRAFFIC CONTROL AND PROTECTION, STANDARD 701201	LSUM	1
72501000	TERMINAL MARKER - DIRECT APPLIED	EACH	220
78200005	GUARDRAIL REFLECTORS, TYPE A	EACH	364
Δ 54200220	PIPE CULVERTS, CLASS D, TYPE 1 15"	FOOT	488
Δ 54200223	PIPE CULVERTS, CLASS D, TYPE 1 18"	FOOT	752
Δ 54200229	PIPE CULVERTS, CLASS D, TYPE 1 24"	FOOT	212
Δ 54200235	PIPE CULVERTS, CLASS D, TYPE 1 30"	FOOT	16
Δ 54200241	PIPE CULVERTS, CLASS D, TYPE 1 36"	FOOT	34
Δ X2501000	SEEDING, CLASS 2 (SPECIAL)	ACRE	4.75
X6330725	STEEL PLATE BEAM GUARDRAIL (SHORT RADIUS)	FOOT	225.0
X6331007	REMOVAL AND REPLACEMENT OF STEEL PLATE BEAM GUARDRAIL, RAIL ELEMENT	FOOT	450.0

SEE SPECIAL PROVISIONS Δ SPECIALTY ITEMS

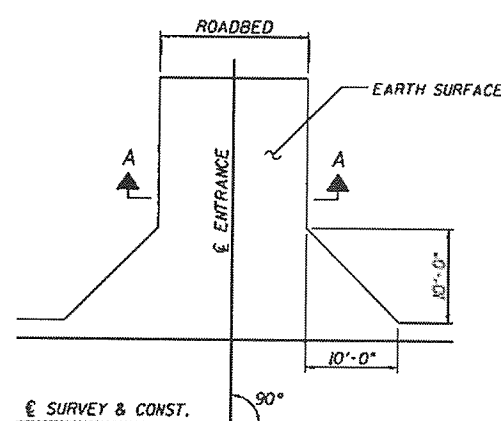
LIST OF ILLINOIS DOT HIGHWAY STANDARDS

000001-06	STANDARD SYMBOLS, ABBREVIATIONS AND PATTERNS
001006	DECIMAL OF AN INCH AND FOOT
280001-07	TEMPORARY EROSION CONTROL SYSTEMS
630001-12	STEEL PLATE BEAM GUARDRAIL
630106-02	LONG-SPAN GUARDRAIL OVER CULVERT
630301-08	SHOULDER WIDENING FOR TYPE 1 (SPECIAL) GUARDRAIL TERMINALS
631011-10	TRAFFIC BARRIER TERMINAL, TYPE 2
631031-15	TRAFFIC BARRIER TERMINAL, TYPE 6
701001-02	OFF-ROAD OPERATIONS, 2L, 2W, MORE THAN 15' (4.5 M) AWAY
701006-05	OFF-ROAD OPERATIONS, 2L, 2W, 15' (4.5 M) TO 24' (600 MM) FROM PAVEMENT EDGE
701201-04	LANE CLOSURE, 2L, 2W, DAY ONLY, FOR SPEEDS > 45 MPH
701901-07	TRAFFIC CONTROL DEVICES
725001-01	OBJECT AND TERMINAL MARKERS
782006	GUARDRAIL AND BARRIER WALL REFLECTOR MOUNTING DETAILS
BLR 27-1	TRAFFIC BARRIER TERMINAL, TYPE 5A

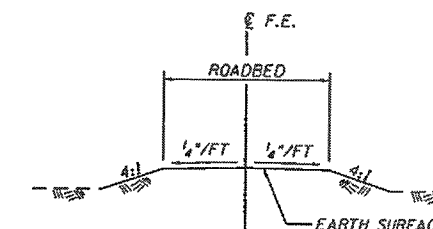
GENERAL NOTES

- THIS PROJECT IS LOCATED ON VARIOUS ROUTES IN CHAMPAIGN COUNTY. THE WORK INCLUDED IN THE SECTION CONSISTS OF VARIOUS TYPES OF GUARDRAIL REMOVAL, REPLACEMENT, AND ALL OTHER WORK NECESSARY TO COMPLETE THE PROJECT.
- NO MATERIAL SHALL BE LEFT ON OR NEAR THE ROADWAY DURING NON-WORKING HOURS.
- ANY NECESSARY TRAFFIC CONTROL WILL BE PROVIDED BY THE CONTRACTOR. APPROPRIATE STANDARDS ARE INCLUDED IN THE PLANS AND CONTRACT DOCUMENTS.
- ILLINOIS STATE LAW REQUIRES 48 HOUR NOTICE TO BE GIVEN TO UTILITIES BEFORE DIGGING. FIELD MARKING OF FACILITIES MAY BE OBTAINED BY CONTACTING J.U.I.L.I.E. (PHONE 800-892-0123) OR FOR NON-MEMBERS THE UTILITY COMPANY DIRECTLY.
- WHEN NO WORK IS BEING PERFORMED, THE FLAGGERS WILL NOT BE REQUIRED. IF THE FLAGGERS ARE NOT PRESENT, THE FLAGGERS SIGNS SHALL BE REMOVED OR COVERED.
- NO OVERNIGHT LANE CLOSURES WILL BE ALLOWED.
- ARTICLE 701.20 OF THE STANDARD SPECIFICATIONS DISCUSSES AN ADJUSTED UNIT PRICE. NO ADJUSTMENTS SHALL BE MADE TO THE TRAFFIC CONTROL AND PROTECTION PAY ITEMS FOR THIS CONTRACT.
- THE CONTRACTOR IS ADVISED THAT THE GUARDRAIL AND TERMINAL PAY ITEMS INCLUDED IN THE PLANS WILL BE USED TO REPLACE STEEL PLATE BEAM GUARDRAIL AND TRAFFIC BARRIER TERMINALS FOR EITHER CURRENT MIDWEST STYLES OR STEEL PLATE BEAM GUARDRAIL AND TRAFFIC BARRIER TERMINALS INSTALLED PRIOR TO JANUARY 1, 2007. NO ADDITIONAL COMPENSATION WILL BE ALLOWED FOR UTILIZING THE CURRENT MIDWEST STANDARDS.
- SEEDING WILL NOT BE PERMITTED AT ANY TIME WHEN THE GROUND IS FROZEN, WET, OR IN AN UNTILLABLE CONDITION. LOCATIONS TO BE SEEDED WILL BE DETERMINED BY THE ENGINEER. THE TOTAL DISTURBANCE AREA IS NOT CONTIGUOUS AND IS DISTRIBUTED THROUGHOUT THE INDIVIDUAL LOCATIONS AS SHOWN IN THE PLANS.
- THE FINISHED EARTHWORK SHALL HAVE A VEGETATION SUSTAINING SOIL COVERING THE TOP FOUR INCHES IN AREAS TO BE SEEDED. THE VEGETATION SUSTAINING SOIL REQUIRED WILL NOT BE PAID FOR SEPARATELY BUT SHALL BE INCLUDED IN THE COST OF FURNISHED EXCAVATION.
- ALL EXCAVATED MATERIAL, WHICH INCLUDES DIGGING OR GRADING OF ANY SOIL OR FILL MATERIAL, WITH THE EXCEPTION OF AGGREGATE FILLS, MUST BE INCORPORATED WITHIN THE RIGHT OF WAY DUE TO ENVIRONMENTAL DOCUMENTATION REQUIREMENTS.
- ANY REFERENCE TO A STANDARD IN THESE PLANS SHALL BE INTERPRETED TO MEAN THE EDITION AS INDICATED BY THE REVISION NUMBER SHOWN IN THE LIST OF ILLINOIS DOT HIGHWAY STANDARDS OR THE COPY INCLUDED IN THESE PLANS.
- GUARDRAIL POSTS THAT NEED TO BE DRIVEN THROUGH EXISTING HOT-MIX ASPHALT SHOULDERS WILL NOT BE PAID FOR SEPARATELY, BUT SHALL BE INCLUDED IN THE COST OF STEEL PLATE BEAM GUARDRAIL.
- REMOVED GUARDRAIL THAT IS NOT REPLACED ON THE SAME DAY MUST BE DELINEATED WITH LIGHTED BARRICADES. NO LOCATIONS SHALL BE LEFT WITHOUT EITHER LIGHTED BARRICADES OR RESTORED GUARDRAIL AT ANY TIME.
- GUARDRAIL MARKERS SHALL NOT BE ATTACHED TO TERMINAL SECTIONS.
- FURNISHED EXCAVATION, AS SHOWN, IS FOR CONSTRUCTION THE PROPOSED SHOULDER WIDENING FOR TYPE 1 (SPECIAL) GUARDRAIL TERMINALS AND FOR SHOULDER WIDENING ALONG STEEL PLATE BEAM GUARDRAIL AS NEEDED. SHOULDER WIDENING AT TYPE 1 (SPECIAL) TERMINALS SHALL BE AS SHOWN ON STANDARD 630301. SHOULDER WIDENING AT STEEL PLATE BEAM GUARDRAIL TYPE A, SIX FOOT POSTS WILL BE TWO FEET BEHIND THE POST AS SHOWN ON STANDARD 630001. SHOULDER WIDENING AT STEEL PLATE BEAM GUARDRAIL TYPE A, NINE FOOT POSTS WILL BE TO THE FACE OF THE POST AS SHOWN ON STANDARD 630001. QUANTITIES SHOWN ARE APPROXIMATE.
- THE FOLLOWING MIXTURE REQUIREMENTS ARE APPLICABLE FOR THIS PROJECT

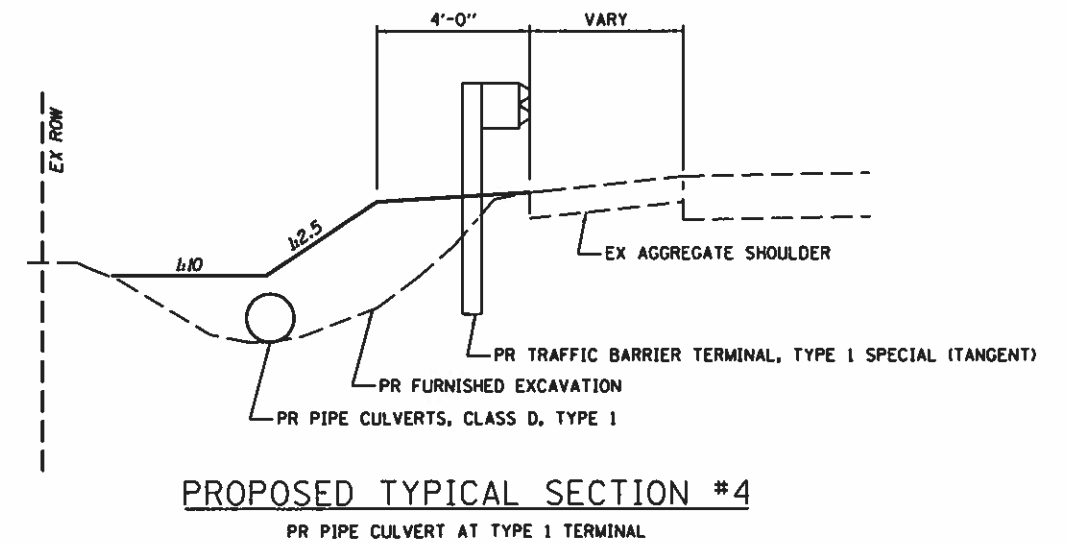
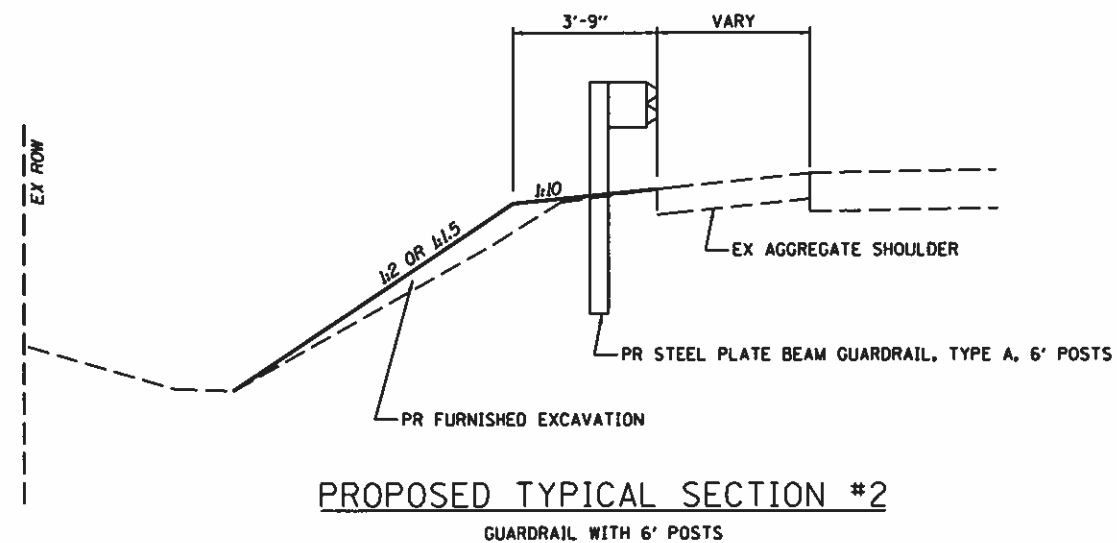
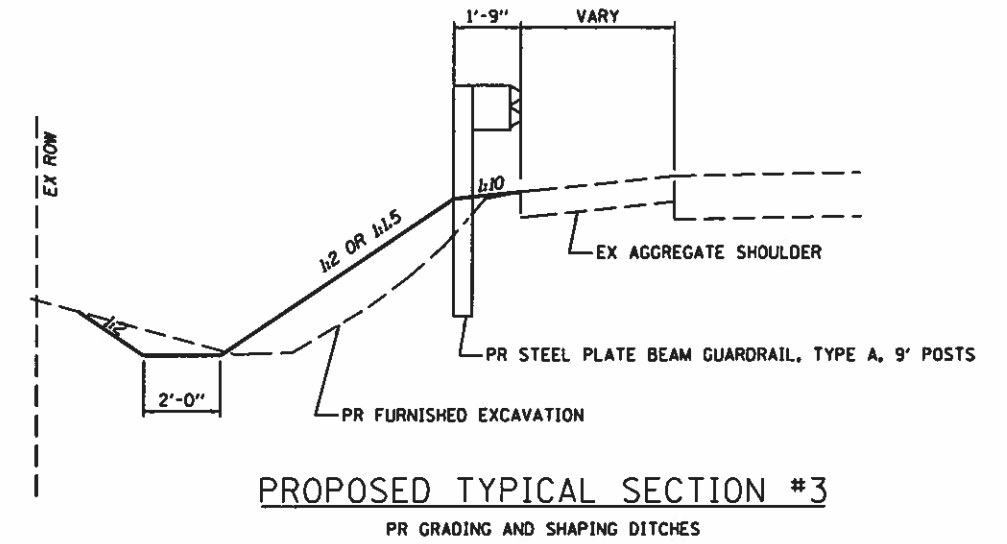
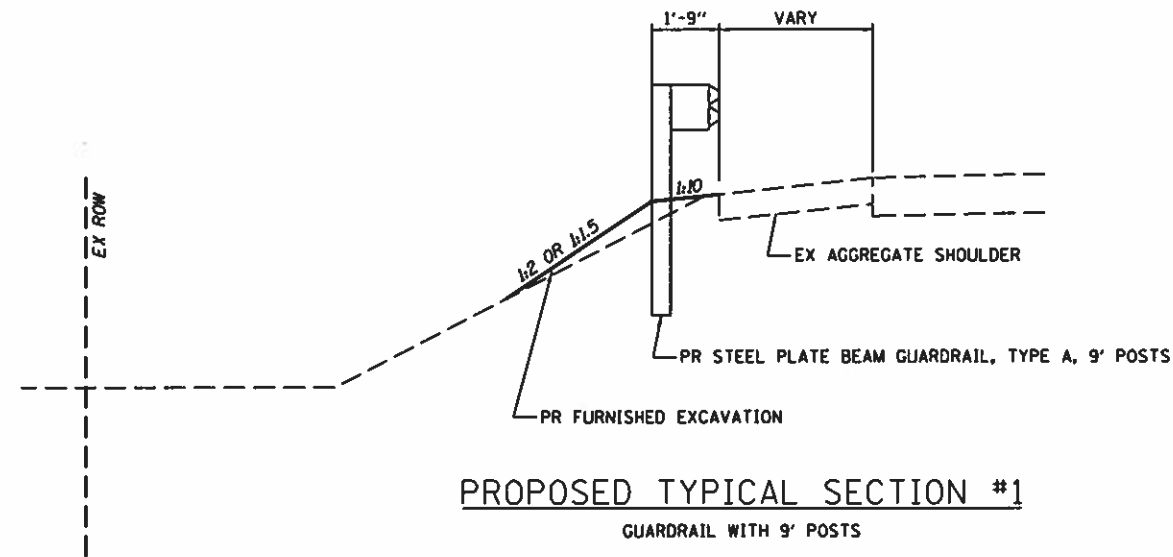
LOCATION	CH 14 (47)
MIXTURE USE	SHOULDER
AC/PG	PG 64-22
DESIGN AIR VOIDS	4.0 @ NDESIGN = 50
MIX COMP (GRADATION)	IL 19.0
FRICTION AGGREGATE	N.A.
MIXTURE WEIGHT	112
QUALITY MANAGEMENT PROGRAM	QC/QA
SUBLOT SIZE	N.A.



FIELD ENTRANCE DETAIL



**SECTION A-A
EARTH FE**



EARTHWORK SCHEDULE

LOCATION NO.	ROUTE	LOCATION	20400800 FURNISHED EXCAVATION	
			CU YD	
9	LEFT	CH 22	Box Culvert	115
9	RIGHT	CH 22	Box Culvert	80
10	LEFT	CH 22	Curve	45
11	NE	CH 22	SN 010-4326	10
11	SE	CH 22	SN 010-4326	30
11	NW	CH 22	SN 010-4326	10
12	SW	CH 20	SN 010-0271	10
12	NE	CH 20	SN 010-0271	5
13	NW	CH 20	SN 010-0274	20
13	SW	CH 20	SN 010-0274	5
13	SE	CH 20	SN 010-0274	5
13	NE	CH 20	SN 010-0274	5
14	NE	CH 20	SN 010-0263	5
14	SW	CH 20	SN 010-0263	25
14	SE	CH 20	SN 010-0263	10
15	SW	CH 20	SN 010-0071	20
16	SW	CH 20	SN 010-0273	10
16	NE	CH 20	SN 010-0273	10
16	NW	CH 20	SN 010-0273	5
17	SE	CH 20	SN 010-3012	20
17	SW	CH 20	SN 010-3012	20
17	NE	CH 20	SN 010-3012	45
17	NW	CH 20	SN 010-3012	20
26	SE	CH 8	SN 010-0141	45
26	SW	CH 8	SN 010-0141	25
26	NE	CH 8	SN 010-0141	335
26	NW	CH 8	SN 010-0141	270
27	SE	CH 23	SN 010-0261	235
27	NE	CH 23	SN 010-0261	35
27	NW	CH 23	SN 010-0261	25
27	SW	CH 23	SN 010-0261	70
28	SE	CH 23	SN 010-0068	65
28	NE	CH 23	SN 010-0068	25
28	NW	CH 23	SN 010-0068	50
28	SW	CH 23	SN 010-0068	35
31	NW	CH 32	SN 010-4506	195
31	SW	CH 32	SN 010-4506	10
31	SE	CH 32	SN 010-4506	10
31	NE	CH 32	SN 010-4506	25
32	SW	CH 32	SN 010-4371	145
32	NE	CH 32	SN 010-4371	60
32	NW	CH 32	SN 010-4371	25
32	SE	CH 32	SN 010-4371	20
33	NW	CH 32	SN 010-4305	200
33	SW	CH 32	SN 010-4305	75
33	SE	CH 32	SN 010-4305	80
33	NE	CH 32	SN 010-4305	65

EARTHWORK SCHEDULE

LOCATION NO.	ROUTE	LOCATION	20400800 FURNISHED EXCAVATION	
			CU YD	
37	SE	CH 50	Lake of the Woods Rd	15
37	NE	CH 50	Lake of the Woods Rd	20
37	NW	CH 50	Lake of the Woods Rd	20
37	SW	CH 50	Lake of the Woods Rd	10
38	SE	CH 50	SN 010-4349	60
38	NE	CH 50	SN 010-4349	10
38	NW	CH 50	SN 010-4349	55
38	SW	CH 50	SN 010-4349	35
43	SW	CH 11	SN 010-4125	30
43	SE	CH 11	SN 010-4125	40
43	NE	CH 11	SN 010-4125	50
43	NW	CH 11	SN 010-4125	40
45	NW	CH 24	SN 010-0152	30
45	SW	CH 24	SN 010-0152	15
45	SE	CH 24	SN 010-0152	15
47	NW	CH 14	SN 010-4486	10
47	SW	CH 14	SN 010-4486	25
47	NE	CH 14	SN 010-4486	15
48	NW	CH 14	SN 010-4487	10
48	SW	CH 14	SN 010-4487	15
48	NE	CH 14	SN 010-4487	40
48	SE	CH 14	SN 010-4487	25
50	NW	CH 13	SN 010-0258	20
50	SW	CH 13	SN 010-0258	5
50	SE	CH 13	SN 010-0258	10
50	NE	CH 13	SN 010-0258	5
51	SE	CH 13	SN 010-0259	25
52	NW	CH 13	SN 010-0224	25
52	SW	CH 13	SN 010-0224	15
52	SE	CH 13	SN 010-0224	5
52	NE	CH 13	SN 010-0224	5
53	NW	CH 13	SN 010-8334	10
53	SW	CH 13	SN 010-8334	15
53	SE	CH 13	SN 010-8334	5
53	NE	CH 13	SN 010-8334	10
54	NE	CH 15	SN 010-4519	30
54	NW	CH 15	SN 010-4519	5
54	SW	CH 15	SN 010-4519	10
54	SE	CH 15	SN 010-4519	30
55	NW	CH 15	SN 010-4517	5
55	NE	CH 15	SN 010-4517	20
55	SE	CH 15	SN 010-4517	35
55	SW	CH 15	SN 010-4517	10
56	SE	CH 15	SN 010-0078	5
56	SW	CH 15	SN 010-0078	5
56	NW	CH 15	SN 010-0078	10
56	NE	CH 15	SN 010-0078	10

EARTHWORK SCHEDULE

LOCATION NO.	ROUTE	LOCATION	20400800 FURNISHED EXCAVATION	
			CU YD	
57	NW	CH 15	SN 010-0241	5
57	NE	CH 15	SN 010-0241	15
57	SE	CH 15	SN 010-0241	10
57	SW	CH 15	SN 010-0241	25
58	LEFT	CH 15	Box Culvert	30
58	RIGHT	CH 15	Box Culvert	65
64	NW	CH 17	SN 010-0260	15
64	NE	CH 17	SN 010-0260	5
64	SW	CH 17	SN 010-0260	15
65	SW	CH 18	SN 010-0119	25
65	SE	CH 18	SN 010-0119	75
65	NE	CH 18	SN 010-0119	50
65	NW	CH 18	SN 010-0119	20
66	SW	CH 18	SN 010-0245	10
66	SE	CH 18	SN 010-0245	25
66	NE	CH 18	SN 010-0245	5
66	NW	CH 18	SN 010-0245	5
72	SW	CH 18	SN 010-4504	40
72	NW	CH 18	SN 010-4504	20
72	SE	CH 18	SN 010-4504	20
72	NE	CH 18	SN 010-4504	10
73	LEFT	CH 6	Main St.	110
73	RIGHT	CH 6	Main St.	80
74	LEFT	CH 10	CR 200E	145
74	RIGHT	CH 10	CR 200E	125
75	NW	CH 6	SN 010-0129	50
75	SE	CH 6	SN 010-0129	80
75	NE	CH 6	SN 010-0129	40
76	SW	CH 17	SN 010-0266	10
76	SE	CH 17	SN 010-0266	5
77	LEFT	CH 17	SN 010-2020	10
77	RIGHT	CH 17	SN 010-2020	20
79	NE	CH 17	SN 010-0122	100
79	NW	CH 17	SN 010-0122	50
79	SW	CH 17	SN 010-0122	50
79	SE	CH 17	SN 010-0122	10
80	LEFT	CH 19	SN 010-4057	75
80	RIGHT	CH 19	SN 010-4057	45
81	SE	CH 19	SN 010-3004	30
81	SW	CH 19	SN 010-3004	55
81	NE	CH 19	SN 010-3004	105
81	NW	CH 19	SN 010-3004	25
TOTAL			5,280	



JOB : 2471.1
 FILE NAME : 2471.1-shs:schedule.dgn
 PLOT SCALE : 2,0000 1/16"
 PLOT DATE : 8/13/2018

DESIGNED : CGF
 DRAWN : SJS
 CHECKED : NAK
 DATE : 3/23/2017

REVISED :
 REVISED :
 REVISED :
 REVISED :

CHAMPAIGN COUNTY
 GUARDRAIL IMPROVEMENTS

SCHEDULES OF QUANTITIES

SCALE: SHEET NO. OF SHEETS STA. TO STA.

F.A. RTE.	SECTION	COUNTY	TOTAL SHEETS	SHEET NO.
	16-00444-00-SP	CHAMPAIGN	53	4
CONTRACT NO. 91550				
FED. ROAD DIST. NO. [ILLINOIS] FED. AID PROJECT				

EROSION CONTROL SCHEDULE

LOCATION NO.	ROUTE	LOCATION	25100630 EROSION CONTROL BLANKET	28000250 TEMPORARY EROSION CONTROL SEEDING	28000305 TEMPORARY DITCH CHECKS	28000400 PERIMETER EROSION BARRIER	28000500 INLET AND PIPE PROTECTION	X2501000 SEEDING, CLASS 2 (SPECIAL)
			(SQ YD)	(ACRE)	(FOOT)	(FOOT)	(EACH)	(ACRE)
9	LEFT	CH 22	Box Culvert			603	1	0.14
9	RIGHT	CH 22	Box Culvert			502		0.084
10	LEFT	CH 22	Curve			372		0.065
11	NE	CH 22	SN 010-4326			251		0.006
11	SE	CH 22	SN 010-4326			70		0.038
11	NW	CH 22	SN 010-4326			160		0.022
12	SW	CH 20	SN 010-0271					0.015
12	NE	CH 20	SN 010-0271			75		0.009
13	NW	CH 20	SN 010-0274			181		0.026
13	SW	CH 20	SN 010-0274			126		0.013
13	SE	CH 20	SN 010-0274			159		0.013
13	NE	CH 20	SN 010-0274			113		0.008
14	NE	CH 20	SN 010-0263			152		0.002
14	SW	CH 20	SN 010-0263			177		0.036
14	SE	CH 20	SN 010-0263			100		0.011
15	SW	CH 20	SN 010-0071				1	0.027
16	SW	CH 20	SN 010-0273			112		0.015
16	NE	CH 20	SN 010-0273			160		0.020
16	NW	CH 20	SN 010-0273			74		0.009
17	SE	CH 20	SN 010-3012			92		0.022
17	SW	CH 20	SN 010-3012			114		0.022
17	NE	CH 20	SN 010-3012			154		0.041
17	NW	CH 20	SN 010-3012			90		0.021
26	SE	CH 8	SN 010-0141	32		85	1	0.03
26	SW	CH 8	SN 010-0141	42	8	69		0.023
26	NE	CH 8	SN 010-0141	609		431	1	0.183
26	NW	CH 8	SN 010-0141	703	8	562		0.209
27	SE	CH 23	SN 010-0261			158		0.035
27	NE	CH 23	SN 010-0261					0.026
27	NW	CH 23	SN 010-0261		8	46		0.042
27	SW	CH 23	SN 010-0261		8	25		0.040
28	SE	CH 23	SN 010-0068				1	0.033
28	NE	CH 23	SN 010-0068			111		0.022
28	NW	CH 23	SN 010-0068			168		0.034
28	SW	CH 23	SN 010-0068			27	1	0.022
31	NW	CH 32	SN 010-4506	682		550	1	0.181
31	SW	CH 32	SN 010-4506		8	74	1	0.015
31	SE	CH 32	SN 010-4506			172		0.018
31	NE	CH 32	SN 010-4506			28	2	0.029
32	NE	CH 32	SN 010-4371			579		0.080
32	NW	CH 32	SN 010-4371		8	70		0.026
32	SW	CH 32	SN 010-4371			596		0.155
32	SE	CH 32	SN 010-4371		8	85		0.029
33	NW	CH 32	SN 010-4305			640		0.230
33	SW	CH 32	SN 010-4305			131	1	0.034
33	SE	CH 32	SN 010-4305			155		0.049
33	NE	CH 32	SN 010-4305			110	1	0.034

EROSION CONTROL SCHEDULE

LOCATION NO.	ROUTE	LOCATION	25100630 EROSION CONTROL BLANKET	28000250 TEMPORARY EROSION CONTROL SEEDING	28000305 TEMPORARY DITCH CHECKS	28000400 PERIMETER EROSION BARRIER	28000500 INLET AND PIPE PROTECTION	X2501000 SEEDING, CLASS 2 (SPECIAL)
			(SQ YD)	(ACRE)	(FOOT)	(FOOT)	(EACH)	(ACRE)
37	SE	CH 50	Lake of the Woods Rd					2.9
37	NE	CH 50	Lake of the Woods Rd					1.9
37	NW	CH 50	Lake of the Woods Rd					2.6
37	SW	CH 50	Lake of the Woods Rd	12				1.0
38	SE	CH 50	SN 010-4349	35				3.9
38	NE	CH 50	SN 010-4349					1.8
38	NW	CH 50	SN 010-4349					5.8
38	SW	CH 50	SN 010-4349	35				2.6
43	SW	CH 11	SN 010-4125					2.1
43	SE	CH 11	SN 010-4125				1	2.5
43	NE	CH 11	SN 010-4125	21				2.9
43	NW	CH 11	SN 010-4125	28			1	2.3
45	NW	CH 24	SN 010-0152					3.1
45	SW	CH 24	SN 010-0152					1.6
45	SE	CH 24	SN 010-0152					2.1
47	NW	CH 14	SN 010-4486					2.3
47	SW	CH 14	SN 010-4486					2.2
47	NE	CH 14	SN 010-4486					2.0
48	NW	CH 14	SN 010-4487					1.1
48	SW	CH 14	SN 010-4487					0.8
48	NE	CH 14	SN 010-4487					3.6
48	SE	CH 14	SN 010-4487					1.8
50	NW	CH 13	SN 010-0258					3.0
50	SW	CH 13	SN 010-0258					1.0
50	SE	CH 13	SN 010-0258					2.6
50	NE	CH 13	SN 010-0258					1.0
51	SE	CH 13	SN 010-0259					2.7
52	NW	CH 13	SN 010-0224					4.1
52	SW	CH 13	SN 010-0224				1	1.9
52	SE	CH 13	SN 010-0224					1.2
52	NE	CH 13	SN 010-0224					1.0
53	NW	CH 13	SN 010-8334				1	2.0
53	SW	CH 13	SN 010-8334					1.3
53	SE	CH 13	SN 010-8334					1.0
53	NE	CH 13	SN 010-8334					1.2
54	NE	CH 15	SN 010-4519	16		16		3.6
54	NW	CH 15	SN 010-4519					1.2
54	SW	CH 15	SN 010-4519	1		8		2.2
54	SE	CH 15	SN 010-4519	1		8		1.8
55	NW	CH 15	SN 010-4517					0.8
55	NE	CH 15	SN 010-4517	15				2.6
55	SE	CH 15	SN 010-4517	12			1	2.2
55	SW	CH 15	SN 010-4517	13				2.1
56	SE	CH 15	SN 010-0078					1.4
56	SW	CH 15	SN 010-0078					2.1
56	NW	CH 15	SN 010-0078					1.9
56	NE	CH 15	SN 010-0078					1.8



JOB - 2471.1
 FILE NAME - 2471.1-shr-sche@iles.dgn
 PLOT SCALE - 2:8000 1/8" = 1'
 PLOT DATE - 8/13/2018

DESIGNED - CGF
 DRAWN - SJS
 CHECKED - NAK
 DATE - 3/23/2017

REVISED -
 REVISED -
 REVISED -
 REVISED -

CHAMPAIGN COUNTY
 GUARDRAIL IMPROVEMENTS

SCHEDULES OF QUANTITIES

SCALE: SHEET NO. OF SHEETS STA. TO STA.

F.A. RTE. SECTION COUNTY TOTAL SHEETS SHEET NO.
 16-00444-00-5P CHAMPAIGN 53 5
 CONTRACT NO. 91550
 FED. ROAD DIST. NO. ILLINOIS FED. AID PROJECT

EROSION CONTROL SCHEDULE

LOCATION NO.	ROUTE	LOCATION	25100630 EROSION CONTROL BLANKET	28000250 TEMPORARY EROSION CONTROL SEEDING	28000305 TEMPORARY DITCH CHECKS	28000400 PERIMETER EROSION BARRIER	28000500 INLET AND PIPE PROTECTION	X2501000 SEEDING, CLASS 2 (SPECIAL)
			(SQ YD)	(ACRE)	(FOOT)	(FOOT)	(EACH)	(ACRE)
57	NW	CH 15	SN 010-0241			145		0.017
57	NE	CH 15	SN 010-0241			212		0.031
57	SE	CH 15	SN 010-0241			140		0.030
57	SW	CH 15	SN 010-0241			213		0.037
58	LEFT	CH 15	Box Culvert			240		0.050
58	RIGHT	CH 15	Box Culvert			270		0.044
64	NW	CH 17	SN 010-0260		8			0.021
64	NE	CH 17	SN 010-0260			82		0.018
64	SW	CH 17	SN 010-0260			20	1	0.025
65	SW	CH 18	SN 010-0119		8	187	1	0.035
65	SE	CH 18	SN 010-0119			40	1	0.040
65	NE	CH 18	SN 010-0119			102	1	0.037
65	NW	CH 18	SN 010-0119			103		0.024
66	SW	CH 18	SN 010-0245			142		0.017
66	SE	CH 18	SN 010-0245			109		0.025
66	NE	CH 18	SN 010-0245			165		0.018
66	NW	CH 18	SN 010-0245			42		0.009
72	SW	CH 19	SN 010-4504			124		0.036
72	NW	CH 19	SN 010-4504		8			0.028
72	SE	CH 19	SN 010-4504			98		0.022
72	NE	CH 19	SN 010-4504			109		0.013
73	LEFT	CH 6	Main St.			307		0.092
73	RIGHT	CH 6	Main St.		16			0.061
74	LEFT	CH 10	CR 200E		8	300		0.098
74	RIGHT	CH 10	CR 200E		16	157		0.080
75	NW	CH 6	SN 010-0129			164	1	0.058
75	SE	CH 6	SN 010-0129			258	2	0.065
75	NE	CH 6	SN 010-0129			48	1	0.024
76	SW	CH 17	SN 010-0266			84		0.018
76	SE	CH 17	SN 010-0266			67		0.005
77	LEFT	CH 17	SN 010-2020			49	1	0.009
77	RIGHT	CH 17	SN 010-2020			256		0.062
79	NE	CH 17	SN 010-0122			179		0.045
79	NW	CH 17	SN 010-0122			140	1	0.039
79	SW	CH 17	SN 010-0122			172		0.039
79	SE	CH 17	SN 010-0122			133		0.020
80	LEFT	CH 19	SN 010-4057			134		0.050
80	RIGHT	CH 19	SN 010-4057			93		0.027
81	SE	CH 19	SN 010-3004			108		0.031
81	SW	CH 19	SN 010-3004			100		0.033
81	NE	CH 19	SN 010-3004			110		0.045
81	NW	CH 19	SN 010-3004			68		0.016

TOTAL 2,258 474 152 20,447 27 4.74
 USE 500 USE 4.75



JOB - 2471.1	DESIGNED - CGF	REVISED -
FILE NAME - 2471.1-sht:schedules.dgn	DRAWN - SJS	REVISED -
PLOT SCALE - 1/8" = 1' in.	CHECKED - NAK	REVISED -
PLOT DATE - 8/13/2018	DATE - 3/23/2017	REVISED -

CHAMPAIGN COUNTY
GUARDRAIL IMPROVEMENTS

SCHEDULES OF QUANTITIES

SCALE:	SHEET NO.	OF	SHEETS	STA.	TO	STA.
--------	-----------	----	--------	------	----	------

F.A. RTE.	SECTION	COUNTY	TOTAL SHEETS	SHEET NO.
	16-00444-00-SP	CHAMPAIGN	53	6
FED. ROAD DIST. NO. ILLINOIS FED. AID PROJECT			CONTRACT NO. 91550	

DRAINAGE SCHEDULE

LOCATION NO.	ROUTE	LOCATION	PIPE CULVERTS, CLASS D, TYPE 1					21400100 GRADING AND SHAPING DITCHES	54248510 CONCRETE COLLAR	50105220 PIPE CULVERT REMOVAL	54002020 EXPANSION BOLTS 3/4 INCH	
			542D0220 15"	542D0223 18"	542D0229 24"	542D0235 30"	542D0241 36"					
			FOOT	FOOT	FOOT	FOOT	FOOT					FOOT
9	LEFT	CH 22	Box Culvert			86				0.76		
11	SE	CH 22	SN 010-4326					73				
12	SW	CH 20	SN 010-0271		28				0.29			
26	SW	CH 8	SN 010-0141					63				
26	NW	CH 8	SN 010-0141					53				
26	SE	CH 8	SN 010-0141	58								
26	NE	CH 8	SN 010-0141	72								
27	NE	CH 23	SN 010-0261					47				
27	NW	CH 23	SN 010-0261					52				
27	SW	CH 23	SN 010-0261					85				
28	SE	CH 23	SN 010-0068		64							
28	SW	CH 23	SN 010-0068		64							
31	NW	CH 32	SN 010-4506		62							
31	SW	CH 32	SN 010-4506					44				
31	NE	CH 32	SN 010-4506	94					0.25			
32	NW	CH 32	SN 010-4371					75				
32	SE	CH 32	SN 010-4371					74				
33	SW	CH 32	SN 010-4305		78							
33	NE	CH 32	SN 010-4305		76							
43	SE	CH 11	SN 010-4125		46							
43	NW	CH 11	SN 010-4125		60							
52	SW	CH 13	SN 010-0224		46							
53	NW	CH 13	SN 010-8334	64						40		
54	NE	CH 15	SN 010-4519					100				
54	SW	CH 15	SN 010-4519					76				
54	SE	CH 15	SN 010-4519					78				
55	SE	CH 15	SN 010-4517		70				0.29			
64	NW	CH 17	SN 010-0260					60				
64	SW	CH 17	SN 010-0260	54								
65	SW	CH 18	SN 010-0119	30				50		28		
65	SE	CH 18	SN 010-0119	60								
65	NE	CH 18	SN 010-0119	56								
72	NW	CH 18	SN 010-4504					58				
73	LEFT	CH 6	BOX CULVERT		66				0.29			
73	RIGHT	CH 6	BOX CULVERT					285				
74	RIGHT	CH 6	BOX CULVERT				34	69	0.59			
74	LEFT	CH 6	BOX CULVERT					35				
75	NW	CH 6	SN 010-0129		48							
75	SE	CH 6	SN 010-0129			126			0.98		8	
75	NE	CH 6	SN 010-0129		44				0.29			
79	NW	CH 17	SN 010-0122				16		0.47			
TOTAL				488	752	212	16	34	1,377	4.21	68	8
USE									USE 4.2			

ASPHALT SCHEDULE

LOCATION NO.	ROUTE	LOCATION	48203021 HOT-MIX ASPHALT SHOULDERS, 6" (SQ YD)	
47	SW	CH 14	SN 010-4486	19
47	SE	CH 14	SN 010-4486	17
TOTAL				36

44004000 PAVED DITCH REMOVAL

LOCATION NO.	ROUTE	LOCATION	PAVED DITCH REMOVAL (SQ YD)	
9	LEFT	CH 22	Box Culvert	105
TOTAL				105



JOB - 2471.1	DESIGNED - CGF	REVISED -
FILE NAME - 2471.1-sht:schedules.dgn	DRAWN - SJS	REVISED -
PLOT SCALE - 2.0000 / in.	CHECKED - NAK	REVISED -
PLOT DATE - 8/13/2018	DATE - 3/23/2017	REVISED -

**CHAMPAIGN COUNTY
GUARDRAIL IMPROVEMENTS**

SCHEDULES OF QUANTITIES			
SCALE:	SHEET NO.	OF SHEETS	STA. TO STA.

F.A. RTE.	SECTION	COUNTY	TOTAL SHEETS	SHEET NO.
	16-00444-00-SP	CHAMPAIGN	53	7
FED. ROAD DIST. NO. ILLINOIS FED. AID PROJECT			CONTRACT NO. 91550	

GUARDRAIL SCHEDULE

LOCATION NO.	ROUTE	LOCATION	63200310 GUARDRAIL REMOVAL	63000001 SPBGR, TYPE A 6 FOOT POSTS	63000003 SPBGR, TYPE A 9 FOOT POSTS	63000009 SPBGR, TYPE B 9 FOOT POSTS	X6331007 SPBGR SHORT RADIUS	63000350 LONG-SPAN GUARDRAIL OVER CULVERT, 12 FT 6 IN SPAN	X6331007 REMOVAL AND REPLACEMENT OF SPBGR RAIL ELEMENT	63100045 TRAFFIC BARRIER TERMINAL, TYPE 2	63100075 TRAFFIC BARRIER TERMINAL, TYPE 5A	63100085 TRAFFIC BARRIER TERMINAL, TYPE 6	63100167 TRAFFIC BARRIER TERMINAL, TYPE1 (SPECIAL) TANGENT (50 FOOT)	63100167 TRAFFIC BARRIER TERMINAL, TYPE1 (SPECIAL) TANGENT (37.5 FOOT)	63100169 TRAFFIC BARRIER TERMINAL, TYPE1 (SPECIAL) FLARED	72501000 TERMINAL MARKER - DIRECT APPLIED	78200005 GUARDRAIL REFLECTORS, TYPE A
			FOOT	FOOT	FOOT	FOOT		FOOT	FOOT	EACH	EACH	EACH	EACH	EACH	EACH	EACH	EACH
4	SW	CH 9	SN 010-4186	62.5	12.5										1	1	2
4	SE	CH 9	SN 010-4186	62.5											1	1	
4	NE	CH 9	SN 010-4186	62.5	12.5										1	1	2
4	NW	CH 9	SN 010-4186	62.5											1	1	
9	LEFT	CH 22	Box Culvert	625.0		400.0			12.5				4			4	6
9	RIGHT	CH 22	Box Culvert	400.0		300.0							2			2	4
10	LEFT	CH 22	Curve	312.5		200.0							2			2	3
11	NE	CH 22	SN 010-4326	237.5		187.5							1			1	3
11	SE	CH 22	SN 010-4326										2			2	
11	NW	CH 22	SN 010-4326										2			2	
12	NE	CH 20	SN 010-0271	225.0	75.0								1			1	2
12	NW	CH 20	SN 010-0271	50.0									1			1	
12	SW	CH 20	SN 010-0271	225.0	175.0										1	1	4
12	SE	CH 20	SN 010-0271	37.5									1			1	
13	NW	CH 20	SN 010-0274	187.5		75.0							1			1	3
13	SW	CH 20	SN 010-0274	100.0		25.0							1			1	2
13	SE	CH 20	SN 010-0274	150.0		75.0							1			1	3
13	NE	CH 20	SN 010-0274	75.0		25.0							1			1	2
14	NE	CH 20	SN 010-0263	25.0			50.0						2			2	2
14	NW	CH 20	SN 010-0263	25.0			25.0			1							2
14	SW	CH 20	SN 010-0263	75.0		75.0							1			1	2
14	SE	CH 20	SN 010-0263	25.0		25.0							1			1	2
15	NE	CH 20	SN 010-0071	225.0	50.0								1			1	2
15	SW	CH 20	SN 010-0071										2			2	
16	NE	CH 20	SN 010-0273	150.0		100.0							1			1	3
16	NW	CH 20	SN 010-0273	75.0		25.0							1			1	2
16	SW	CH 20	SN 010-0273	150.0		100.0							1			1	3
16	SE	CH 20	SN 010-0273	75.0		25.0							1			1	2
17	NE	CH 20	SN 010-3012										2			2	
17	NW	CH 20	SN 010-3012	50.0									1			1	
17	SW	CH 20	SN 010-3012	50.0		25.0							1			1	2
17	SE	CH 20	SN 010-3012	50.0									1			1	
19	LEFT	CH 20	Box Culvert	287.5	175.0				37.5				4			4	3
19	RIGHT	CH 20	Box Culvert	362.5	250.0				37.5				4			4	4



JOB = 2471.1
 FILE NAME = 2471.1-shr-schedules.dgn
 PLOT SCALE = 2,0000 1/16"
 PLOT DATE = 8/13/2018

DESIGNED - CGF
 DRAWN - SJS
 CHECKED - NAK
 DATE - 3/23/2017

CHAMPAIGN COUNTY
 GUARDRAIL IMPROVEMENTS

SCHEDULES OF QUANTITIES

SCALE: SHEET NO. OF SHEETS STA. TO STA.

F.A. RTE. SECTION COUNTY TOTAL SHEETS SHEET NO.
 16-00444-00-SP CHAMPAIGN 53 8
 CONTRACT NO. 91550
 FED. ROAD DIST. NO. ILLINOIS FED. AID PROJECT

GUARDRAIL SCHEDULE

LOCATION NO.	ROUTE	LOCATION	63200310 GUARDRAIL REMOVAL	63000001 SPBGR, TYPE A 6 FOOT POSTS	63000003 SPBGR, TYPE A 9 FOOT POSTS	63000009 SPBGR, TYPE B 9 FOOT POSTS	X6331007 SPBGR SHORT RADIUS	63000350 LONG-SPAN GUARDRAIL OVER CULVERT, 12 FT 6 IN SPAN	X6331007 REMOVAL AND REPLACEMENT OF SPBGR RAIL ELEMENT	63100045 TRAFFIC BARRIER TERMINAL, TYPE 2	63100075 TRAFFIC BARRIER TERMINAL, TYPE 5A	63100085 TRAFFIC BARRIER TERMINAL, TYPE 6	63100167 TRAFFIC BARRIER TERMINAL, TYPE1 (SPECIAL) TANGENT (50 FOOT)	63100167 TRAFFIC BARRIER TERMINAL, TYPE1 (SPECIAL) TANGENT (37.5 FOOT)	63100169 TRAFFIC BARRIER TERMINAL, TYPE1 (SPECIAL) FLARED	72501000 TERMINAL MARKER - DIRECT APPLIED	78200005 GUARDRAIL REFLECTORS, TYPE A
			FOOT	FOOT	FOOT	FOOT		FOOT	FOOT	EACH	EACH	EACH	EACH	EACH	EACH	EACH	EACH
26	SE	CH 8	SN 010-0141	137.5		75.0							1			1	2
26	SW	CH 8	SN 010-0141	125.0		62.5							1			1	2
26	NE	CH 8	SN 010-0141	487.5		437.5							1			1	7
26	NW	CH 8	SN 010-0141	600.0		550.0							1			1	8
27	SE	CH 23	SN 010-0261	37.5		75.0							1			1	2
27	NE	CH 23	SN 010-0261	37.5		25.0							1			1	2
27	NW	CH 23	SN 010-0261	37.5		75.0							1			1	2
27	SW	CH 23	SN 010-0261	37.5		25.0							1			1	2
28	SE	CH 23	SN 010-0068	37.5		75.0							1			1	2
28	NE	CH 23	SN 010-0068	37.5		25.0							1			1	2
28	NW	CH 23	SN 010-0068	37.5		75.0							1			1	2
28	SW	CH 23	SN 010-0068	37.5		25.0							1			1	2
29	SW	CH 9	SN 010-4542	87.5									1			1	
29	SE	CH 9	SN 010-4542	50.0									1			1	
29	NE	CH 9	SN 010-4542	87.5									1			1	
29	NW	CH 9	SN 010-4542	50.0									1			1	
31	NW	CH 32	SN 010-4506	575.0		525.0							1			1	7
31	SW	CH 32	SN 010-4506	75.0	12.5								1			1	2
31	SE	CH 32	SN 010-4506	62.5		50.0							1			1	2
31	NE	CH 32	SN 010-4506	75.0									2			2	
32	NE	CH 32	SN 010-4371	587.5		587.5											8
32	NW	CH 32	SN 010-4371	50.0									2			2	
32	SW	CH 32	SN 010-4371	625.0		625.0											8
32	SE	CH 32	SN 010-4371	37.5		75.0							1			1	2
33	NW	CH 32	SN 010-4305	637.5		637.5											8
33	SW	CH 32	SN 010-4305	87.5		25.0							1			1	2
33	SE	CH 32	SN 010-4305	87.5		75.0							1			1	2
33	NE	CH 32	SN 010-4305	87.5		25.0							1			1	2
37	SE	CH 50	Lake of the Woods Rd	25.0		87.5			12.5				1			1	2
37	NE	CH 50	Lake of the Woods Rd	25.0		50.0							1			1	2
37	NW	CH 50	Lake of the Woods Rd	25.0		75.0							1			1	2
37	SW	CH 50	Lake of the Woods Rd	25.0		37.5			12.5				1			1	2
38	SE	CH 50	SN 010-4349	25.0		150.0							1			1	3
38	NE	CH 50	SN 010-4349	25.0		37.5							1			1	2
38	NW	CH 50	SN 010-4349	25.0		437.5							1			1	6
38	SW	CH 50	SN 010-4349	25.0		62.5							1			1	2



JOB # 2471.1
 FILE NAME # 2471.1-shr-sched/lot.dgn
 PLOT SCALE = 2.0000 1/8" = 1'
 PLOT DATE = 8/13/2018

DESIGNED - CGF
 DRAWN - SJS
 CHECKED - NAK
 DATE - 3/23/2017

CHAMPAIGN COUNTY
 GUARDRAIL IMPROVEMENTS

SCHEDULES OF QUANTITIES

SCALE: SHEET NO. OF SHEETS STA. TO STA.

F.A. RTE. SECTION COUNTY TOTAL SHEETS SHEET NO.
 16-00444-00-SP CHAMPAIGN 53 9
 CONTRACT NO. 91550
 FED. ROAD DIST. NO. (ILLINOIS) FED. AID PROJECT

GUARDRAIL SCHEDULE

LOCATION NO.	ROUTE	LOCATION	63200310 GUARDRAIL REMOVAL	63000001 SPBGR, TYPE A 6 FOOT POSTS	63000003 SPBGR, TYPE A 9 FOOT POSTS	63000009 SPBGR, TYPE B 9 FOOT POSTS	X6331007 SPBGR SHORT RADIUS	63000350 LONG-SPAN GUARDRAIL OVER CULVERT, 12 FT 6 IN SPAN	X6331007 REMOVAL AND REPLACEMENT OF SPBGR RAIL ELEMENT	63100045 TRAFFIC BARRIER TERMINAL, TYPE 2	63100075 TRAFFIC BARRIER TERMINAL, TYPE 5A	63100085 TRAFFIC BARRIER TERMINAL, TYPE 6	63100167 TRAFFIC BARRIER TERMINAL, TYPE1 (SPECIAL) TANGENT (50 FOOT)	63100167 TRAFFIC BARRIER TERMINAL, TYPE1 (SPECIAL) TANGENT (37.5 FOOT)	63100169 TRAFFIC BARRIER TERMINAL, TYPE1 (SPECIAL) FLARED	72501000 TERMINAL MARKER - DIRECT APPLIED	78200005 GUARDRAIL REFLECTORS, TYPE A
			FOOT	FOOT	FOOT	FOOT		FOOT	FOOT	EACH	EACH	EACH	EACH	EACH	EACH	EACH	EACH
43	SW	CH 11	SN 010-4125										2			2	
43	SE	CH 11	SN 010-4125	75.0		12.5							1			1	2
43	NE	CH 11	SN 010-4125	75.0		50.0							1			1	2
43	NW	CH 11	SN 010-4125	75.0		12.5							1			1	2
45	NW	CH 24	SN 010-0152	25.0		50.0							1			1	2
45	SW	CH 24	SN 010-0152	25.0		12.5							1			1	2
45	SE	CH 24	SN 010-0152	25.0				37.5	1				2			2	2
45	NE	CH 24	SN 010-0152	25.0				25.0	1								2
47	NW	CH 14	SN 010-4486		25.0						1		1			1	2
47	SW	CH 14	SN 010-4486		75.0						1		1			1	2
47	NE	CH 14	SN 010-4486		75.0						1		1			1	2
47	SE	CH 14	SN 010-4486		25.0						1		1			1	2
48	NW	CH 14	SN 010-4487			25.0					1		1			1	2
48	SW	CH 14	SN 010-4487			75.0					1		1			1	2
48	NE	CH 14	SN 010-4487			75.0					1		1			1	2
48	SE	CH 14	SN 010-4487			12.5					1		1			1	2
50	NW	CH 13	SN 010-0258	50.0			25.0						3			3	2
50	SW	CH 13	SN 010-0258	50.0			12.5						1			1	2
50	SE	CH 13	SN 010-0258	50.0			25.0						3			3	2
50	NE	CH 13	SN 010-0258	50.0			12.5						1			1	2
51	NW	CH 13	SN 010-0259	50.0			12.5						3			3	2
51	SW	CH 13	SN 010-0259	50.0			12.5						1			1	2
51	SE	CH 13	SN 010-0259	50.0			12.5						3			3	2
51	NE	CH 13	SN 010-0259	50.0			12.5						1			1	2
52	NW	CH 13	SN 010-0224	75.0			25.0						3			3	2
52	SW	CH 13	SN 010-0224	50.0			12.5		25.0				1			1	2
52	SE	CH 13	SN 010-0224	81.3		37.5	25.0		25.0				1			1	2
52	NE	CH 13	SN 010-0224	43.2			12.5						1			1	2
53	NW	CH 13	SN 010-8334	75.0		37.5	25.0						1			1	2
53	SW	CH 13	SN 010-8334	25.0			12.5		25.0				1			1	2
53	SE	CH 13	SN 010-8334	75.0		37.5	25.0		25.0				1			1	2
53	NE	CH 13	SN 010-8334	37.5			12.5						1			1	2
54	NE	CH 15	SN 010-4519	37.5		12.5							3			3	2
54	NW	CH 15	SN 010-4519	50.0		25.0							1			1	2
54	SW	CH 15	SN 010-4519	62.5		75.0							1			1	2
54	SE	CH 15	SN 010-4519	25.0		25.0							1			1	2



JOB : 2471.1
 FILE NAME : 2471.1-shl-schedules.dgn
 PLOT SCALE : 2,0000 ' / in.
 PLOT DATE : 8/13/2018

DESIGNED - CGF
 DRAWN - SJS
 CHECKED - NAK
 DATE - 3/23/2017

REVISED -
 REVISED -
 REVISED -
 REVISED -

CHAMPAIGN COUNTY
 GUARDRAIL IMPROVEMENTS

SCHEDULES OF QUANTITIES

SCALE: SHEET NO. OF SHEETS STA. TO STA.

F.A. RTE.	SECTION	COUNTY	TOTAL SHEETS	SHEET NO.
	16-00444-00-SP	CHAMPAIGN	53	10
FED. ROAD DIST. NO. (ILLINOIS) FED. AID PROJECT			CONTRACT NO. 91550	

GUARDRAIL SCHEDULE

LOCATION NO.	ROUTE	LOCATION	63200310 GUARDRAIL REMOVAL	63000001 SPBGR, TYPE A, 6 FOOT POSTS	63000003 SPBGR, TYPE A, 9 FOOT POSTS	63000009 SPBGR, TYPE B, 9 FOOT POSTS	X6331007 SPBGR SHORT RADIUS	63000350 LONG-SPAN GUARDRAIL OVER CULVERT, 12 FT 6 IN SPAN	X6331007 REMOVAL AND REPLACEMENT OF SPBGR RAIL ELEMENT	63100045 TRAFFIC BARRIER TERMINAL, TYPE 2	63100075 TRAFFIC BARRIER TERMINAL, TYPE 5A	63100085 TRAFFIC BARRIER TERMINAL, TYPE 6	63100167 TRAFFIC BARRIER TERMINAL, TYPE 1 (SPECIAL) TANGENT (50 FOOT)	63100167 TRAFFIC BARRIER TERMINAL, TYPE 1 (SPECIAL) TANGENT (37.5 FOOT)	63100169 TRAFFIC BARRIER TERMINAL, TYPE 1 (SPECIAL) FLARED	72501000 TERMINAL MARKER - DIRECT APPLIED	78200005 GUARDRAIL REFLECTORS, TYPE A
			FOOT	FOOT	FOOT	FOOT		FOOT	FOOT	EACH	EACH	EACH	EACH	EACH	EACH	EACH	EACH
55	NW	CH 15	SN 010-4517	37.5										1		1	
55	NE	CH 15	SN 010-4517	75.0		75.0							1			1	2
55	SE	CH 15	SN 010-4517	75.0		25.0							1			1	2
55	SW	CH 15	SN 010-4517	75.0		75.0							1			1	2
56	SE	CH 15	SN 010-0078	150.0		100.0							1			1	4
56	SW	CH 15	SN 010-0078	250.0		200.0							1			1	4
56	NW	CH 15	SN 010-0078	62.5		25.0							1			1	2
56	NE	CH 15	SN 010-0078	137.5		75.0							1			1	2
57	NW	CH 15	SN 010-0241										2			2	
57	NE	CH 15	SN 010-0241	25.0	112.5								1			1	3
57	SE	CH 15	SN 010-0241	25.0	37.5								1			1	2
57	SW	CH 15	SN 010-0241	25.0	112.5								1			1	3
58	LEFT	CH 15	Box Culvert	212.5		37.5		37.5					2			2	4
58	RIGHT	CH 15	Box Culvert	287.5		50.0		37.5					2			2	2
60	SE	CH 16	Box Culvert	50.0									1			1	
64	NE	CH 17	SN 010-0260	50.0								1	2			2	2
64	NW	CH 17	SN 010-0260	62.5								1	1			1	2
64	SW	CH 17	SN 010-0260	62.5	37.5							1	1			1	2
64	SE	CH 17	SN 010-0260	50.0								1					
65	SW	CH 18	SN 010-0119	100.0		12.5	25.0						3			3	2
65	SE	CH 18	SN 010-0119	125.0			25.0						1			1	2
65	NE	CH 18	SN 010-0119	187.5		62.5	25.0						1			1	2
65	NW	CH 18	SN 010-0119	87.5			25.0						1			1	2
66	SW	CH 18	SN 010-0245	25.0									3			3	
66	SE	CH 18	SN 010-0245	25.0		25.0							1			1	2
66	NE	CH 18	SN 010-0245	25.0		75.0							1			1	2
66	NW	CH 18	SN 010-0245	25.0				37.5									2
67	NE	CH 18	CR 1000N	50.0									1			1	
67	NW	CH 18	CR 1000N	100.0	50.0								1			1	2
67	SE	CH 18	CR 1000N	50.0									1			1	
67	SW	CH 18	CR 1000N	137.5	12.5								2			2	2
67	SW	CH 18	CR 1000N/Corner	262.5	162.5								2			2	5
67	SW	CH 18	CR 1000N/Corner	13.25							1						2
68	SE	CH 25	S Staley Rd										2			2	
68	NE	CH 25	S Staley Rd	75.0	25.0								1			1	2
68	NW	CH 25	S Staley Rd	100.0	75.0								1			1	2
68	SW	CH 25	S Staley Rd										2			2	



JOB - 2471.I
 FILE NAME - 2471.I-schduls.dgn
 PLOT SCALE - 2.0000 / 1.00
 PLOT DATE - 8/13/2018

DESIGNED - CGF
 DRAWN - SJS
 CHECKED - NAK
 DATE - 3/23/2017

CHAMPAIGN COUNTY
 GUARDRAIL IMPROVEMENTS

SCHEDULES OF QUANTITIES

SCALE: SHEET NO. OF SHEETS STA. TO STA.

F.A. RTE. SECTION COUNTY TOTAL SHEETS SHEET NO.
 16-00444-00-SP CHAMPAIGN 53 11
 CONTRACT NO. 91550
 FED. ROAD DIST. NO. ILLINOIS FED. AID PROJECT

GUARDRAIL SCHEDULE

LOCATION NO.	ROUTE	LOCATION	63200310 GUARDRAIL REMOVAL	63000001 SPBGR, TYPE A 6 FOOT POSTS	63000003 SPBGR, TYPE A 9 FOOT POSTS	63000009 SPBGR, TYPE B 9 FOOT POSTS	X6331007 SPBGR SHORT RADIUS	63000350 LONG-SPAN GUARDRAIL OVER CULVERT, 12 FT 6 IN SPAN	X6331007 REMOVAL AND REPLACEMENT OF SPBGR RAIL ELEMENT	63100045 TRAFFIC BARRIER TERMINAL, TYPE 2	63100075 TRAFFIC BARRIER TERMINAL, TYPE 5A	63100085 TRAFFIC BARRIER TERMINAL, TYPE 6	63100167 TRAFFIC BARRIER TERMINAL, TYPE1 (SPECIAL) TANGENT (50 FOOT)	63100167 TRAFFIC BARRIER TERMINAL, TYPE1 (SPECIAL) TANGENT (37.5 FOOT)	63100169 TRAFFIC BARRIER TERMINAL, TYPE1 (SPECIAL) FLARED	72501000 TERMINAL MARKER - DIRECT APPLIED	78200005 GUARDRAIL REFLECTORS, TYPE A	
			FOOT	FOOT	FOOT	FOOT	FOOT	FOOT	FOOT	FOOT	EACH	EACH	EACH	EACH	EACH	EACH	EACH	EACH
68	NE	SDRD	S Staley Rd							1								
68	SE	SDRD	S Staley Rd							1								
72	NE	CH 18	SN 010-4504	75.0	50.0								1			1	2	
72	NW	CH 19	SN 010-4504	50.0	12.5								1			1	2	
72	SW	CH 20	SN 010-4504	75.0	50.0								1			1	2	
72	SE	CH 21	SN 010-4504	50.0	12.5								1			1	2	
73	LEFT	CH 6	Main St.	312.5	187.5			25.0					2			2	4	
73	RIGHT	CH 6	Main St.	250.0	125.0			25.0					2			2	4	
74	LEFT	CH 10	CR 200E	300.0	200.0			12.5					2			2	4	
74	RIGHT	CH 10	CR 200E	250.0	150.0			12.5					2			2	4	
75	NW	CH 6	SN 010-0129	187.5	137.5								1			1	3	
75	SW	CH 6	SN 010-0129	62.5			62.5										2	
75	SE	CH 6	SN 010-0129	87.5									3			3		
75	NE	CH 6	SN 010-0129	75.0	25.0								1			1	2	
76	NE	CH 17	SN 010-0266	37.5	62.5								1			1	2	
76	SE	CH 17	SN 010-0266	37.5	12.5								1			1	2	
76	SW	CH 17	SN 010-0266	37.5	62.5								1			1	2	
76	NW	CH 17	SN 010-0266	37.5	12.5								1			1	2	
77	LEFT	CH 17	SN 010-2020				25.0						1			1	2	
77	RIGHT	CH 17	SN 010-2020	220.0	137.5		25.0	25.0	1				1			1	2	
78	LEFT	CH 17	BOX CULVERT	75.0				12.5					2			2	2	
78	RIGHT	CH 17	SN 010-0122	75.0				12.5					2			2	2	
79	NE	CH 17	SN 010-0122	87.5	50.0								1			1	2	
79	NW	CH 17	SN 010-0122	87.5	12.5								1			1	2	
79	SW	CH 17	SN 010-0122	87.5	50.0								1			1	2	
79	SE	CH 17	SN 010-0122	87.5	12.5								1			1	2	
80	LEFT	CH 19	SN 010-4057	75.0	25.0	25.0		25.0	1				3			3	4	
80	RIGHT	CH 19	SN 010-4057	62.5		25.0		25.0	1				3			3	4	
81	SE	CH 19	SN 010-3004	25.0									1			1		
81	NE	CH 19	SN 010-3004	25.0									1			1		
81	NW	CH 19	SN 010-3004	25.0										1		1		
81	SW	CH 19	SN 010-3004	25.0									1			1		
TOTAL				16,957.8	1,875.0	9,262.5	425.0	225.0	75.0	450.0	8	9	4	213	2	5	220	364
				USE 16,958														



JOB - 2471.1
 FILE NAME - 2471.1 sch_schedules.dgn
 PLOT SCALE - 2.0000 1/8" = 1'-0"
 PLOT DATE - 8/13/2018

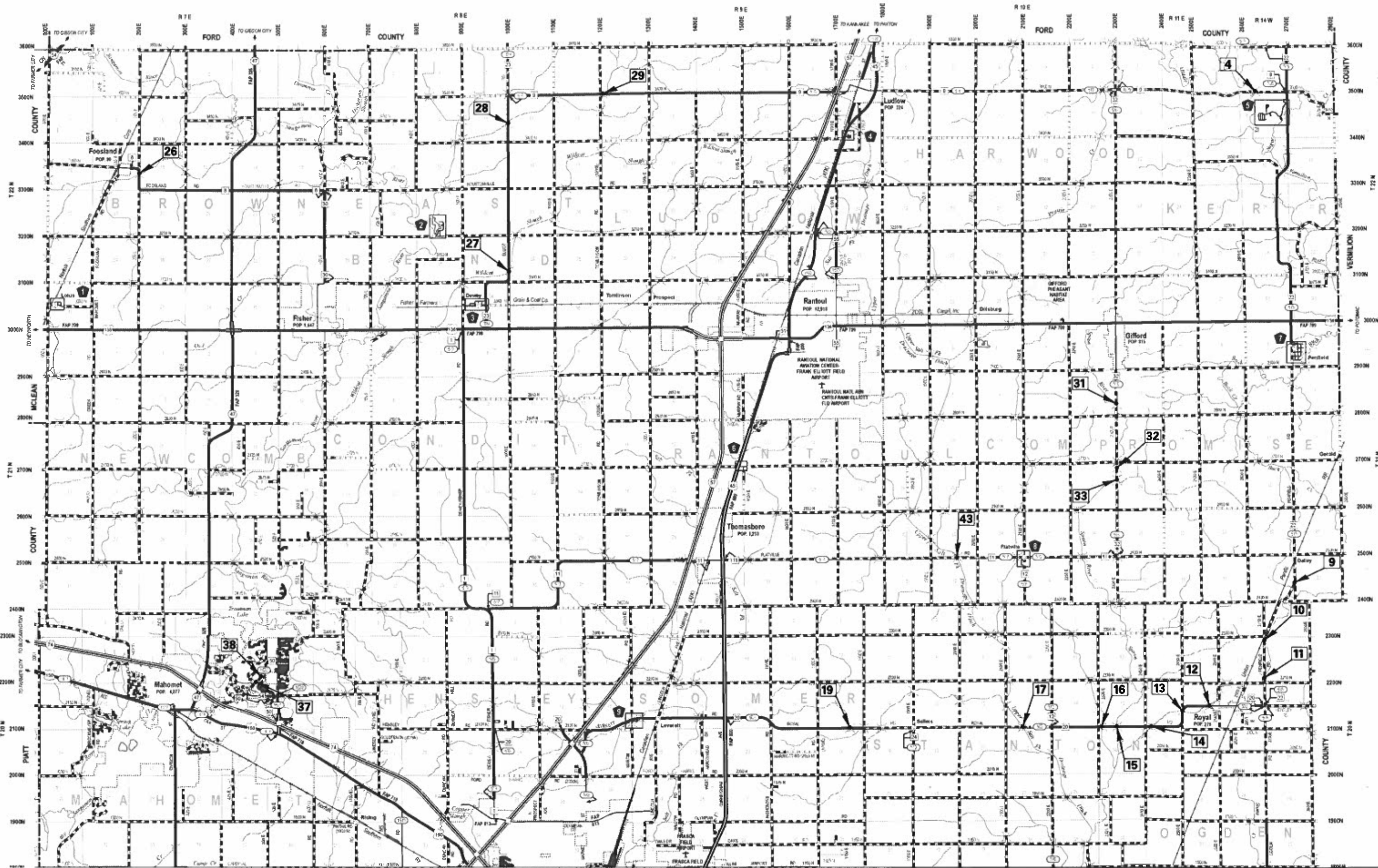
DESIGNED - CGF
 DRAWN - SJS
 CHECKED - NAK
 DATE - 3/23/2017

REVISED -
 REVISED -
 REVISED -
 REVISED -

**CHAMPAIGN COUNTY
 GUARDRAIL IMPROVEMENTS**

SCHEDULES OF QUANTITIES				
SCALE:	SHEET NO.	OF	SHEETS	STA. TO STA.

F.A. RTE. SECTION COUNTY TOTAL SHEETS SHEET NO.
 16-00444-00-SP CHAMPAIGN 53 12
 CONTRACT NO. 91550
 FED. ROAD DIST. NO. [ILLINOIS] FED. AID PROJECT



MATCHLINE - SOUTH CHAMPAIGN COUNTY

CEC Cummins Engineering Corporation
Civil and Structural Engineering

JOB # 2471.1
FILE NAME # 2471.1 location map.dgn
PLOT SCALE # 10000.0000' / in.
PLOT DATE # 3/28/2018

DESIGNED - NAK
DRAWN - BEB
CHECKED - NAK
DATE - 3/23/2017

REVISED -
REVISED -
REVISED -
REVISED -

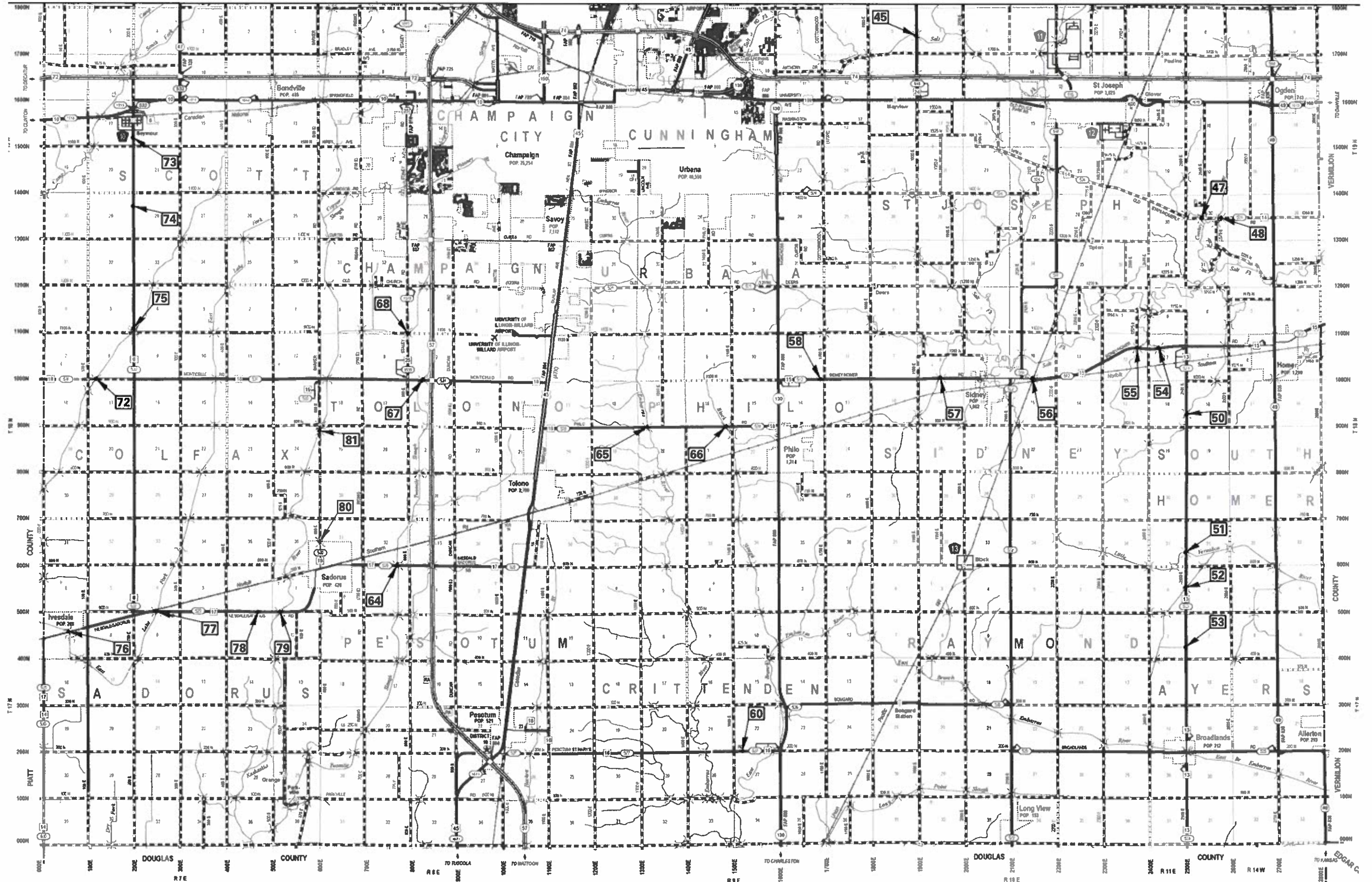
**CHAMPAIGN COUNTY
GUARDRAIL IMPROVEMENTS**

**LOCATION MAP
NORTH CHAMPAIGN COUNTY**

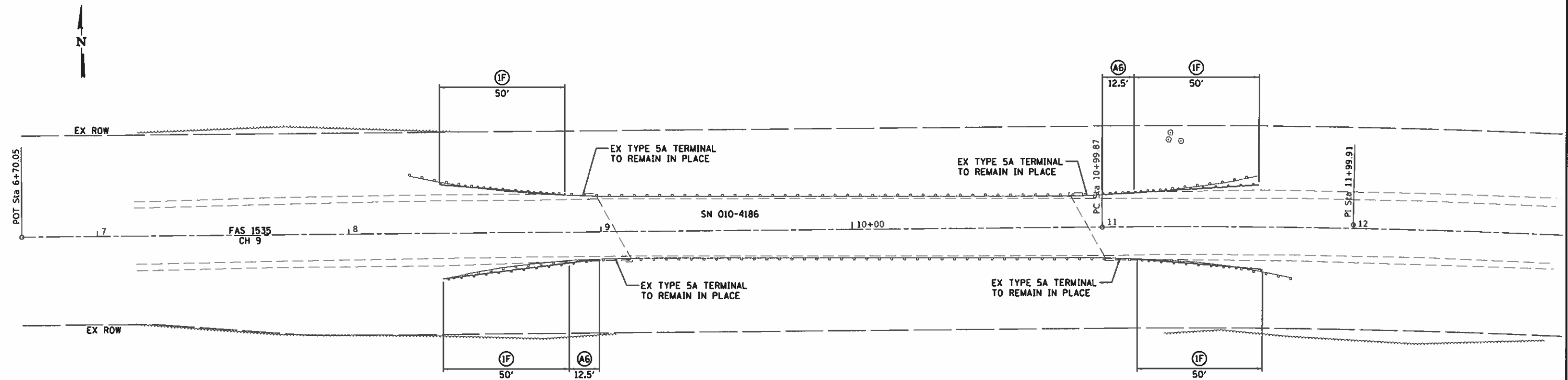
SCALE: SHEET NO. OF SHEETS STA. TO STA.

F.A. RTE.	SECTION	COUNTY	TOTAL SHEETS	SHEET NO.
	16-00444-00-SP	CHAMPAIGN	53	13
CONTRACT NO. 91550				
FED. ROAD DIST. NO.	ILLINOIS FED. AID PROJECT			

MATCHLINE - NORTH CHAMPAIGN COUNTY



CEC Cummins Engineering Corporation Civil and Structural Engineering	JOB # 2471.I FILE NAME # 2471.I location map.dgn PLOT SCALE = 10000.0000' / in. PLOT DATE = 8/13/2018	DESIGNED - NAK DRAWN - BEB CHECKED - NAK DATE - 3/23/2017	REVISED - REVISED - REVISED - REVISED -	CHAMPAIGN COUNTY GUARDRAIL IMPROVEMENTS		LOCATION MAP SOUTH CHAMPAIGN COUNTY		F.A. RTE. SECTION COUNTY TOTAL SHEETS SHEET NO.
	SCALE:	SHEET NO. OF SHEETS STA. TO STA.	16-00444-00-SP CHAMPAIGN 53 14 CONTRACT NO. 91550	FED. ROAD DIST. NO. (ILLINOIS) FED. AID PROJECT				



LEGEND

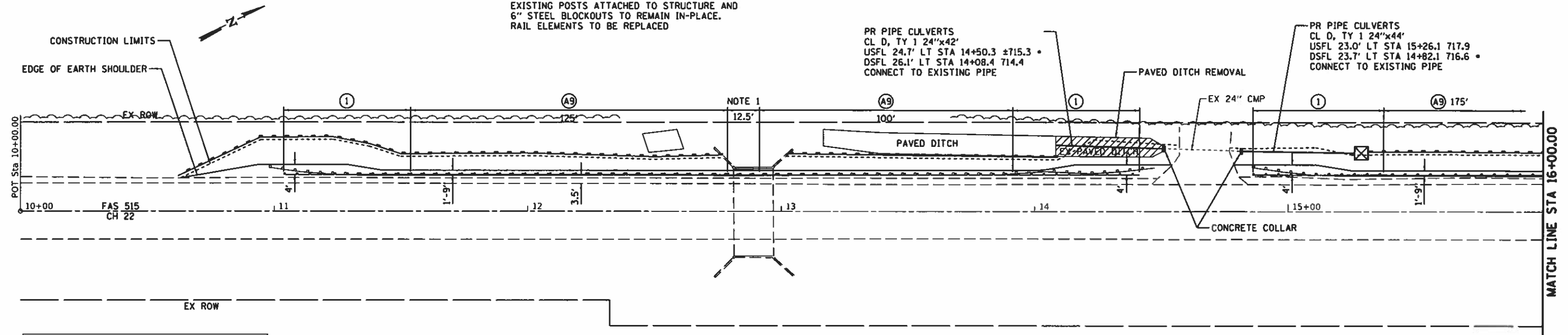
- ◆ TEMPORARY DITCH CHECKS
- PERIMETER EROSION BARRIER
- ⊠ INLET AND PIPE PROTECTION
- ⊙ A6 STEEL PLATE BEAM GUARDRAIL, TYPE A, 6 FOOT POSTS
- ⊙ A9 STEEL PLATE BEAM GUARDRAIL, TYPE A, 9 FOOT POSTS
- ⊙ 2 TRAFFIC BARRIER TERMINAL, TYPE 2
- ⊙ 5A TRAFFIC BARRIER TERMINAL, TYPE 5A
- ⊙ 1 TRAFFIC BARRIER TERMINAL, TYPE 1 (SPECIAL) TANGENT
- ⊙ 1F TRAFFIC BARRIER TERMINAL, TYPE 1 (SPECIAL) FLARED

CH 9			
CONTROL POINT	STATION	COORDINATES	
		NORTHING	EASTING
POT	6+70.05	1354411.52	1086738.64
POT	10+00.00	1354412.69	1087068.59
PC	10+99.87	1354413.05	1087168.46
PT	12+99.89	1354408.04	1087368.39

LOCATION NO. 4
 MAJOR COLLECTOR
 ADT 175
 DESIGN SPEED 40 MPH

*ATTACH TO EXISTING 24" CMP

NOTE 1
EXISTING POSTS ATTACHED TO STRUCTURE AND
6" STEEL BLOCKOUTS TO REMAIN IN-PLACE.
RAIL ELEMENTS TO BE REPLACED



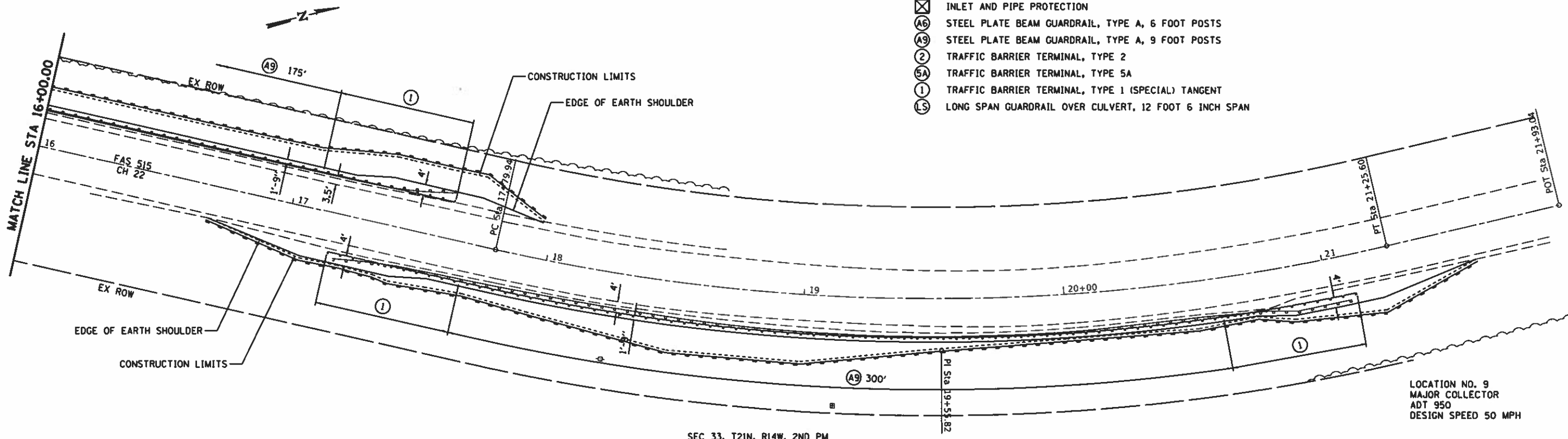
CH 22

CONTROL POINT	STATION	COORDINATES	
		NORTH	EAST
POT	10+00.00	1297556.38	1091431.33
P.C.	17+79.94	1298257.64	1091772.70
P.L.	19+55.82	1298415.77	1091849.68
P.T.	21+25.60	1298591.65	1091849.37
POT	21+93.04	1298659.08	1091849.25

FRONT SLOPES FOR ALONG GUARDRAIL SHALL BE 1:2
EXCEPT VARY SLOPE AT CULVERT AND ALONG PAVED
DITCH.

LEGEND

- ◆ TEMPORARY DITCH CHECKS
- PERIMETER EROSION BARRIER
- ⊗ INLET AND PIPE PROTECTION
- ⓐ STEEL PLATE BEAM GUARDRAIL, TYPE A, 6 FOOT POSTS
- ⓑ STEEL PLATE BEAM GUARDRAIL, TYPE A, 9 FOOT POSTS
- Ⓒ TRAFFIC BARRIER TERMINAL, TYPE 2
- ⓐ TRAFFIC BARRIER TERMINAL, TYPE 5A
- ⓑ TRAFFIC BARRIER TERMINAL, TYPE 1 (SPECIAL) TANGENT
- ⓓ LONG SPAN GUARDRAIL OVER CULVERT, 12 FOOT 6 INCH SPAN



LOCATION NO. 9
MAJOR COLLECTOR
ADT 950
DESIGN SPEED 50 MPH

CHAMPAIGN COUNTY
GUARDRAIL IMPROVEMENTS

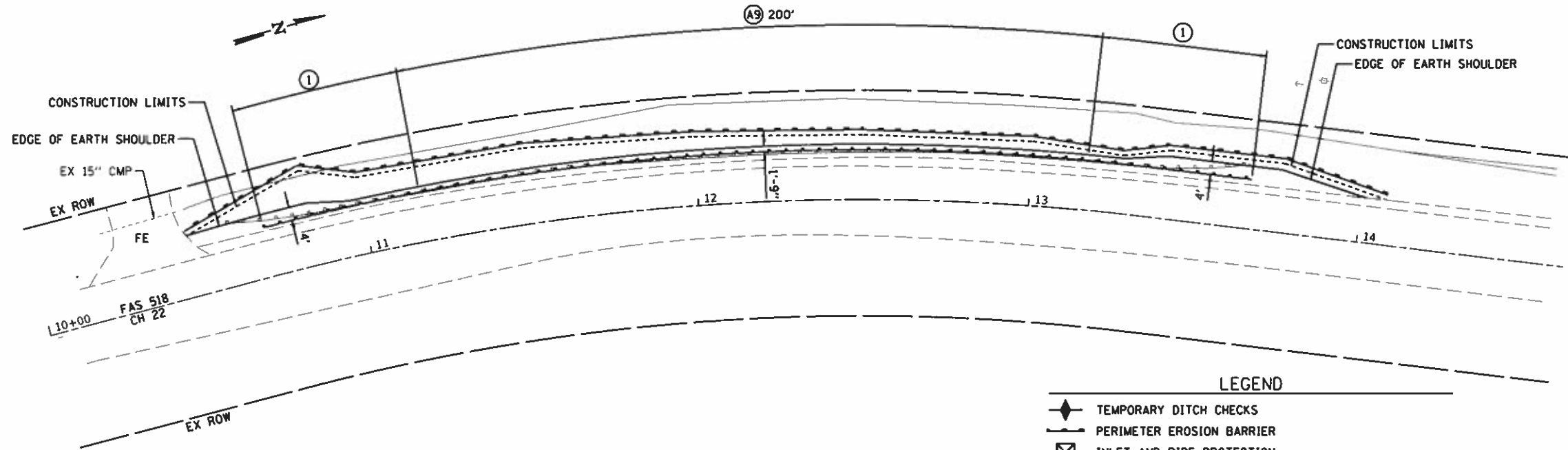
PLAN

SCALE: SHEET NO. OF SHEETS STA. TO STA.

F.A. RTE.	SECTION	COUNTY	TOTAL SHEETS	SHEET NO.
16-00444-00-SP	CHAMPAIGN	53	16	
CONTRACT NO. 91550				
FED. ROAD DIST. NO. ILLINOIS FED. AID PROJECT				

JOB - 2471.1	DESIGNED - CGF	REVISED -
FILE NAME - plan9.dgn	DRAWN - SJS	REVISED -
PLOT SCALE - 48.0000' / in.	CHECKED - NAK	REVISED -
PLOT DATE - 7/30/2018	DATE - 3/23/2017	REVISED -

SEC 9, T20N, R14W, 2ND PM

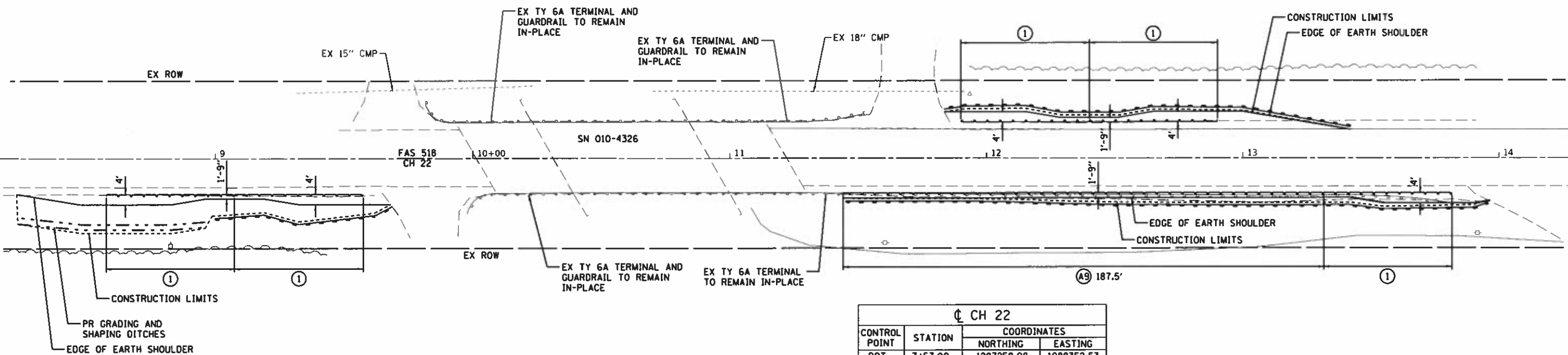


CH 22			
CONTROL POINT	STATION	COORDINATES	
		NORTHING	EASTING
POT	10+00.00	1291641.12	1088292.62
PC	10+70.20	1291711.32	1088293.37
PI	12+02.67	1291843.78	1088294.79
PT	13+32.05	1291966.57	1088344.13
POT	14+63.13	1292088.07	1088393.71

- LEGEND**
- ◆ TEMPORARY DITCH CHECKS
 - PERIMETER EROSION BARRIER
 - ⊗ INLET AND PIPE PROTECTION
 - ⊙(A6) STEEL PLATE BEAM GUARDRAIL, TYPE A, 6 FOOT POSTS
 - ⊙(A9) STEEL PLATE BEAM GUARDRAIL, TYPE A, 9 FOOT POSTS
 - ⊙(2) TRAFFIC BARRIER TERMINAL, TYPE 2
 - ⊙(5A) TRAFFIC BARRIER TERMINAL, TYPE 5A
 - ⊙(1) TRAFFIC BARRIER TERMINAL, TYPE 1 (SPECIAL) TANGENT
 - ⊙(LS) LONG SPAN GUARDRAIL OVER CULVERT, 12 FOOT 6 INCH SPAN

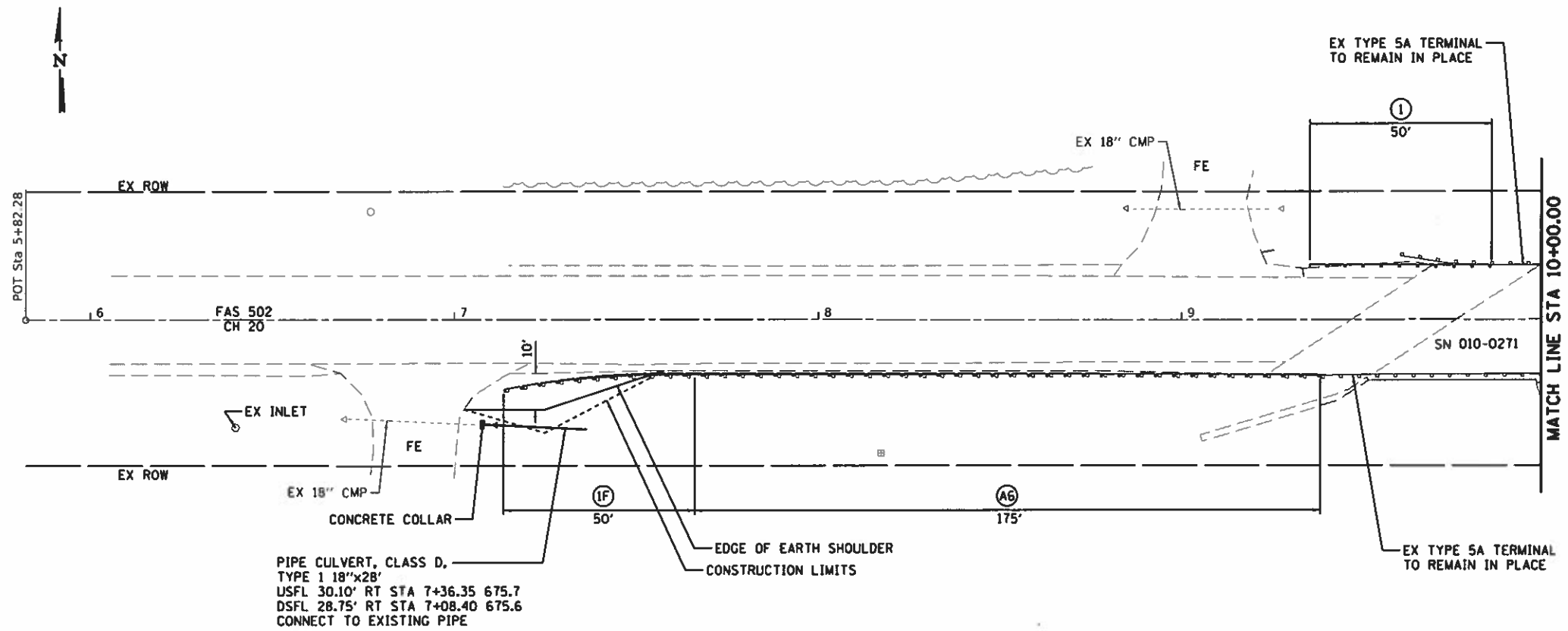
LOCATION NO. 10
MAJOR COLLECTOR
ADT 950
DESIGN SPEED 50 MPH

SEC 9, T20N, R14W, 2ND PM



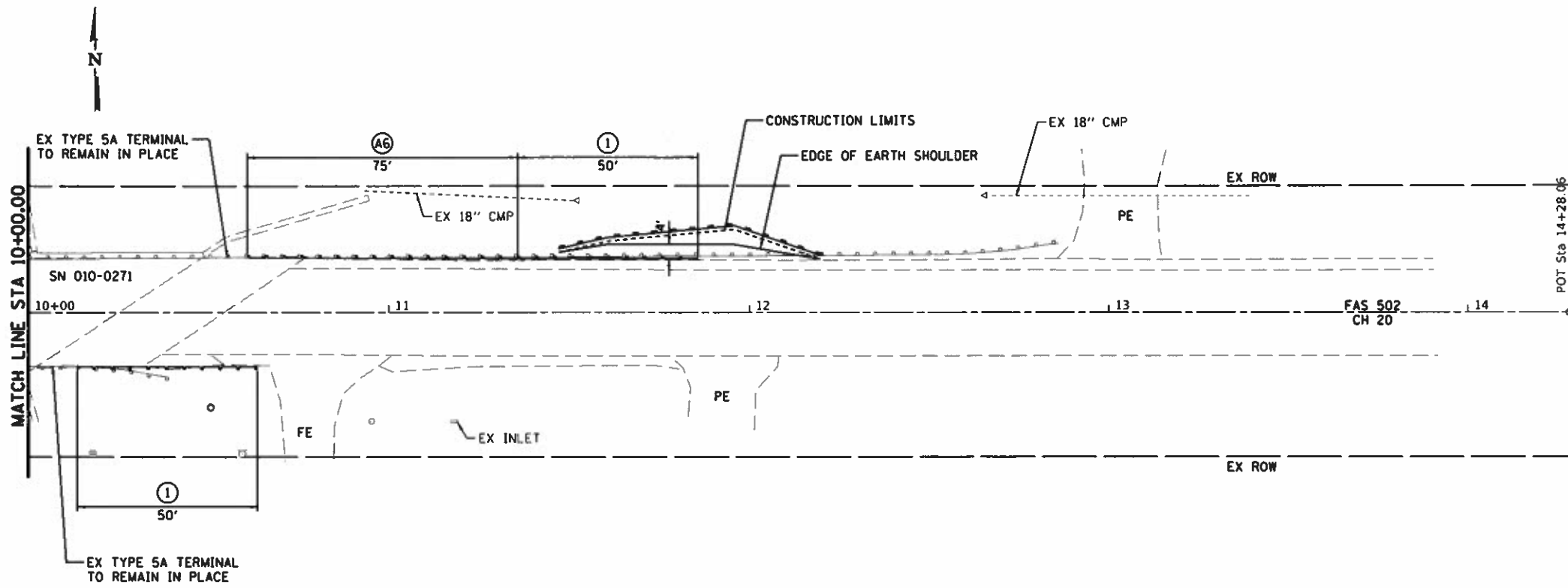
CH 22			
CONTROL POINT	STATION	COORDINATES	
		NORTHING	EASTING
POT	7+57.00	1287258.08	1088352.53
POT	8+84.09	1287385.16	1088350.87
POT	13+81.07	1287882.10	1088344.36

LOCATION NO. 11
MAJOR COLLECTOR
ADT 950
DESIGN SPEED 50 MPH



- LEGEND**
- ◆ TEMPORARY DITCH CHECKS
 - PERIMETER EROSION BARRIER
 - ⊠ INLET AND PIPE PROTECTION
 - Ⓐ STEEL PLATE BEAM GUARDRAIL, TYPE A, 6 FOOT POSTS
 - Ⓐ STEEL PLATE BEAM GUARDRAIL, TYPE A, 9 FOOT POSTS
 - ② TRAFFIC BARRIER TERMINAL, TYPE 2
 - ⑤A TRAFFIC BARRIER TERMINAL, TYPE 5A
 - ① TRAFFIC BARRIER TERMINAL, TYPE 1 (SPECIAL) TANGENT
 - Ⓜ TRAFFIC BARRIER TERMINAL, TYPE 1 (SPECIAL) FLARED

CH 20			
CONTROL POINT	STATION	COORDINATES	
		NORTHING	EASTING
PDT	5+82.28	1284287.87	1081661.35
PDT	10+00.00	1284288.76	1082079.07
PDT	14+28.06	1284289.68	1082507.13



LOCATION NO. 12
 MAJOR COLLECTOR
 ADT 900
 DESIGN SPEED 50 MPH



JOB # 2471.1
 FILE NAME = plant2.dgn
 PLOT SCALE = 48.0000' / 1" =
 PLOT DATE = 7/30/2018

DESIGNED - CGF
 DRAWN - SJS
 CHECKED - MAK
 DATE = 3/23/2017

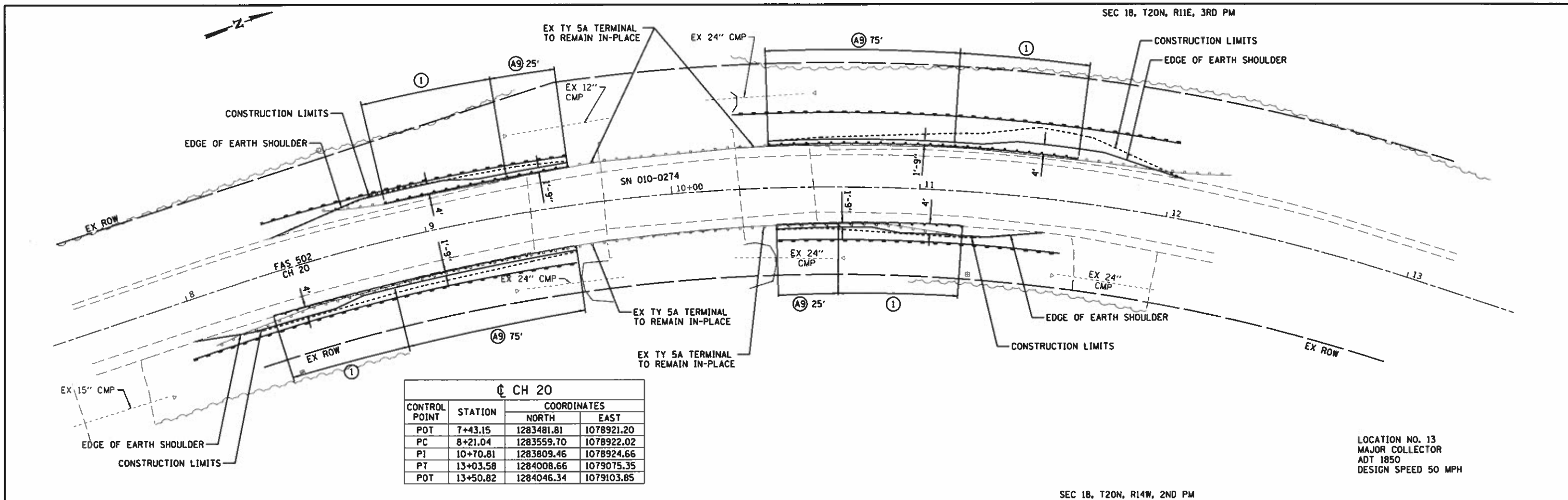
REVISED -
 REVISED -
 REVISED -
 REVISED -

**CHAMPAIGN COUNTY
 GUARDRAIL IMPROVEMENTS**

PLAN

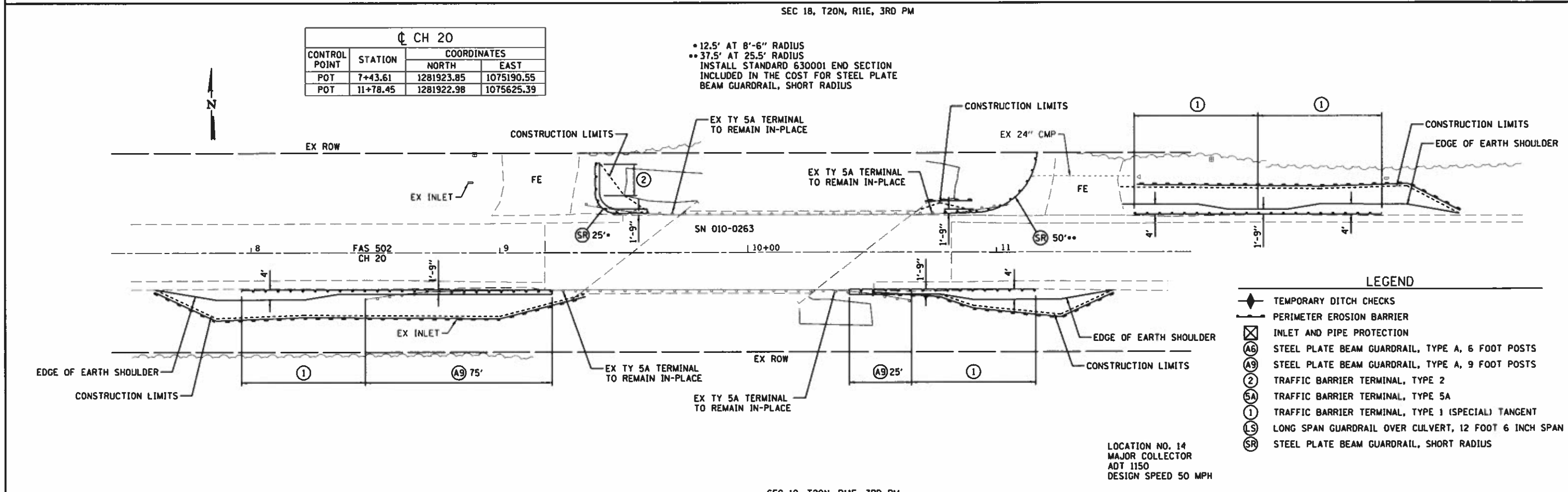
SCALE: SHEET NO. OF SHEETS STA. TO STA.

F.A. RTE.	SECTION	COUNTY	TOTAL SHEETS	SHEET NO.
	16-00444-00-SP	CHAMPAIGN	53	18
CONTRACT NO. 91550			ILLINOIS FED. AID PROJECT	



CH 20			
CONTROL POINT	STATION	COORDINATES	
		NORTH	EAST
POT	7+43.15	1283481.81	1078921.20
PC	8+21.04	1283559.70	1078922.02
PI	10+70.81	1283809.46	1078924.66
PT	13+03.58	1284008.66	1079075.35
POT	13+50.82	1284046.34	1079103.85

LOCATION NO. 13
MAJOR COLLECTOR
ADT 1850
DESIGN SPEED 50 MPH



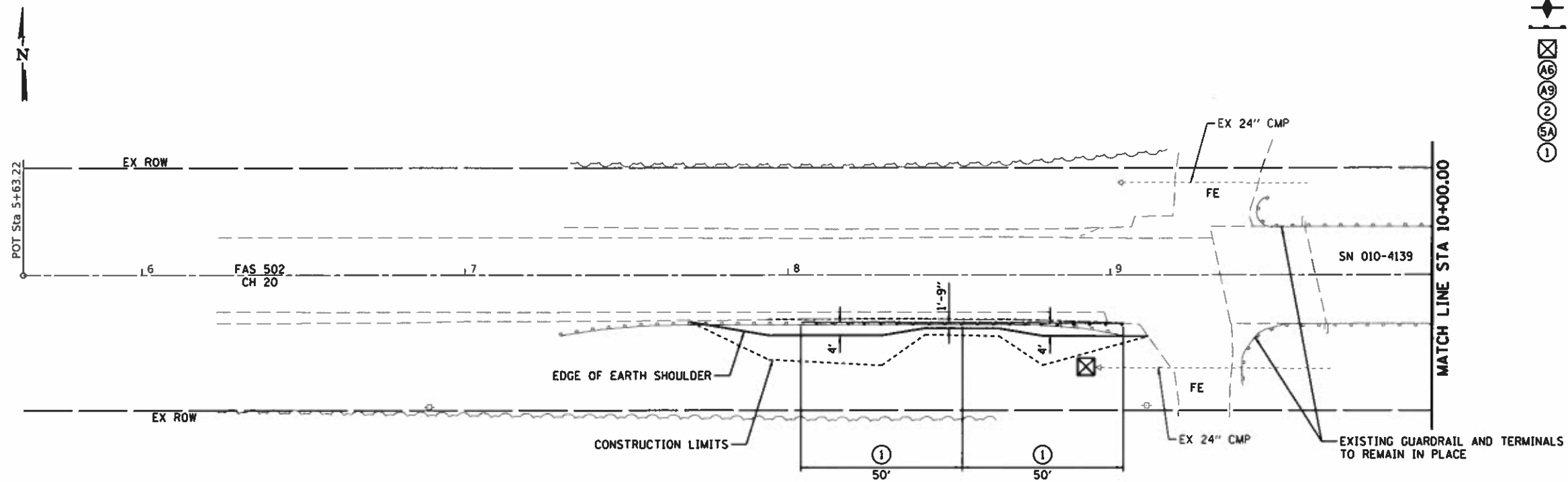
CH 20			
CONTROL POINT	STATION	COORDINATES	
		NORTH	EAST
POT	7+43.61	1281923.85	1075190.55
POT	11+78.45	1281922.98	1075625.39

• 12.5' AT 8'-6" RADIUS
•• 37.5' AT 25.5' RADIUS
INSTALL STANDARD 630001 END SECTION INCLUDED IN THE COST FOR STEEL PLATE BEAM GUARDRAIL, SHORT RADIUS

LEGEND

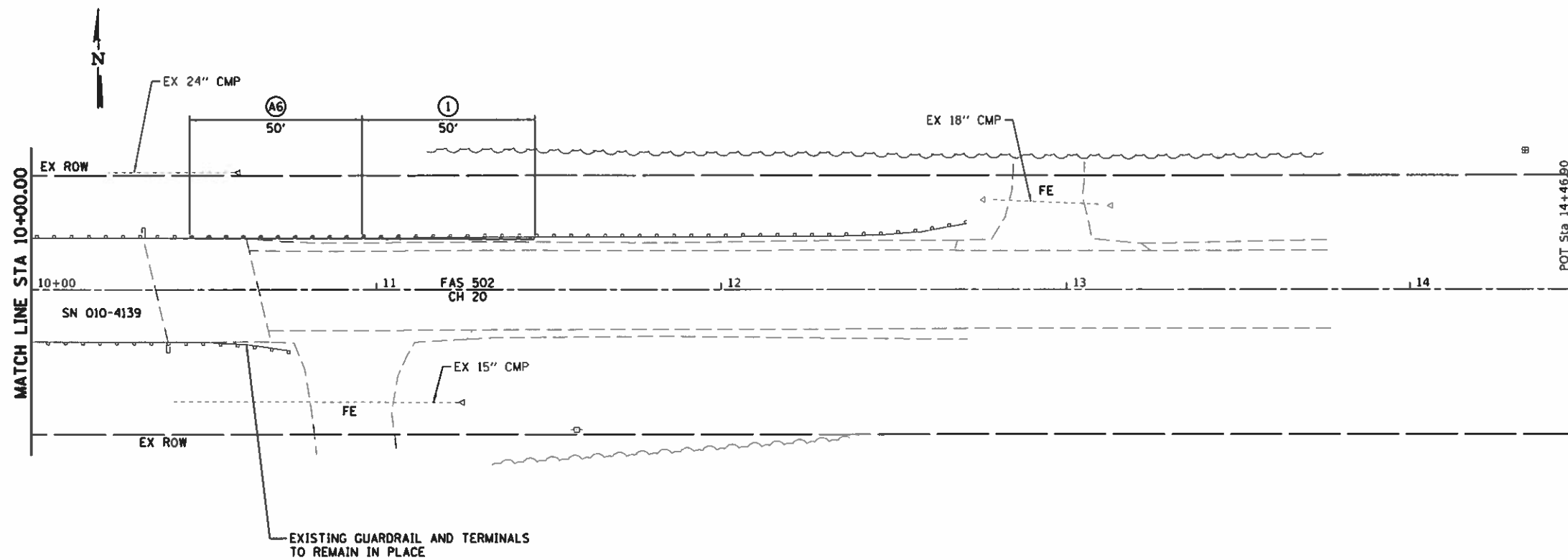
- ◆ TEMPORARY DITCH CHECKS
- PERIMETER EROSION BARRIER
- ⊗ INLET AND PIPE PROTECTION
- ⊙ A6 STEEL PLATE BEAM GUARDRAIL, TYPE A, 6 FOOT POSTS
- ⊙ A9 STEEL PLATE BEAM GUARDRAIL, TYPE A, 9 FOOT POSTS
- ⊙ 2 TRAFFIC BARRIER TERMINAL, TYPE 2
- ⊙ 5A TRAFFIC BARRIER TERMINAL, TYPE 5A
- ⊙ 1 TRAFFIC BARRIER TERMINAL, TYPE 1 (SPECIAL) TANGENT
- ⊙ LS LONG SPAN GUARDRAIL OVER CULVERT, 12 FOOT 6 INCH SPAN
- ⊙ SR STEEL PLATE BEAM GUARDRAIL, SHORT RADIUS

LOCATION NO. 14
MAJOR COLLECTOR
ADT 1150
DESIGN SPEED 50 MPH



LEGEND

- ◆ TEMPORARY DITCH CHECKS
- PERIMETER EROSION BARRIER
- ⊠ INLET AND PIPE PROTECTION
- ⊙ A6 STEEL PLATE BEAM GUARDRAIL, TYPE A, 6 FOOT POSTS
- ⊙ A9 STEEL PLATE BEAM GUARDRAIL, TYPE A, 9 FOOT POSTS
- ⊙ 2 TRAFFIC BARRIER TERMINAL, TYPE 2
- ⊙ 5A TRAFFIC BARRIER TERMINAL, TYPE 5A
- ⊙ 1 TRAFFIC BARRIER TERMINAL, TYPE 1 (SPECIAL) TANGENT



⊙ CH 20

CONTROL POINT	STATION	COORDINATES	
		NORTHING	EASTING
POT	5+63.22	1281914.07	1071037.65
POT	10+00.00	1281915.38	1071474.42
POT	14+46.90	1281916.72	1071921.32

LOCATION NO. 15
 MAJOR COLLECTOR
 ADT 700
 DESIGN SPEED 50 MPH



JOB = 2471.1	DESIGNED - NAK	REVISED -
FILE NAME = plan15.dgn	DRAWN - SJS	REVISED -
PLOT SCALE = 48,0000' / 1"	CHECKED - NAK	REVISED -
PLOT DATE = 7/30/2018	DATE - 3/23/2017	REVISED -

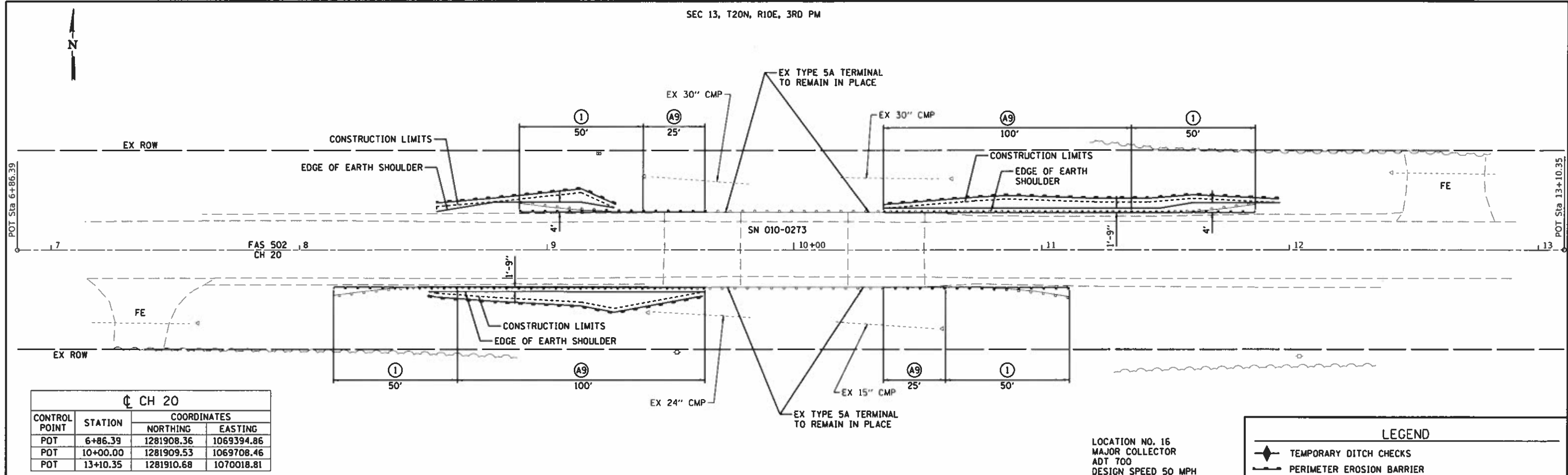
**CHAMPAIGN COUNTY
 GUARDRAIL IMPROVEMENTS**

PLAN

SCALE: SHEET NO. OF SHEETS STA. TO STA.

F.A. RTE.	SECTION	COUNTY	TOTAL SHEETS	SHEET NO.
	16-00444-00-SP	CHAMPAIGN	53	20
CONTRACT NO. 91550				
FED. ROAD DIST. NO. ILLINOIS FED. AID PROJECT				

SEC 13, T20N, R10E, 3RD PM



CH 20

CONTROL POINT	STATION	COORDINATES	
		NORTHING	EASTING
POT	6+86.39	1281908.36	1069394.86
POT	10+00.00	1281909.53	1069708.46
POT	13+10.35	1281910.68	1070018.81

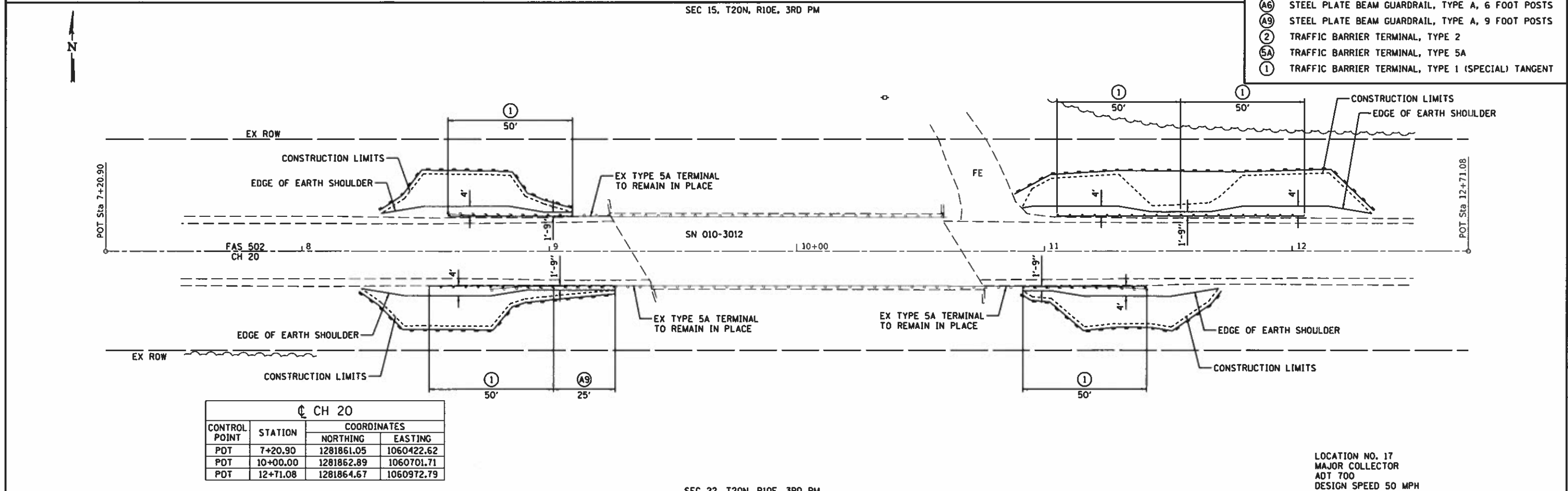
LOCATION NO. 16
MAJOR COLLECTOR
ADT 700
DESIGN SPEED 50 MPH

LEGEND

- ◆ TEMPORARY DITCH CHECKS
- PERIMETER EROSION BARRIER
- ⊗ INLET AND PIPE PROTECTION
- ⊙ A6 STEEL PLATE BEAM GUARDRAIL, TYPE A, 6 FOOT POSTS
- ⊙ A9 STEEL PLATE BEAM GUARDRAIL, TYPE A, 9 FOOT POSTS
- ⊙ 2 TRAFFIC BARRIER TERMINAL, TYPE 2
- ⊙ 5A TRAFFIC BARRIER TERMINAL, TYPE 5A
- ⊙ 1 TRAFFIC BARRIER TERMINAL, TYPE 1 (SPECIAL) TANGENT

SEC 24, T20N, R10E, 3RD PM

SEC 15, T20N, R10E, 3RD PM



CH 20

CONTROL POINT	STATION	COORDINATES	
		NORTHING	EASTING
POT	7+20.90	1281861.05	1060422.62
POT	10+00.00	1281862.89	1060701.71
POT	12+71.08	1281864.67	1060972.79

LOCATION NO. 17
MAJOR COLLECTOR
ADT 700
DESIGN SPEED 50 MPH

SEC 22, T20N, R10E, 3RD PM



JOB = 2471.1
FILE NAME = plan16a17.dgn
PLOT SCALE = 48.0000' / 1" = 100'
PLOT DATE = 7/30/2018

DESIGNED - CGF
DRAWN - SJS
CHECKED - NAK
DATE - 3/23/2017

REVISED -
REVISED -
REVISED -
REVISED -

CHAMPAIGN COUNTY
GUARDRAIL IMPROVEMENTS

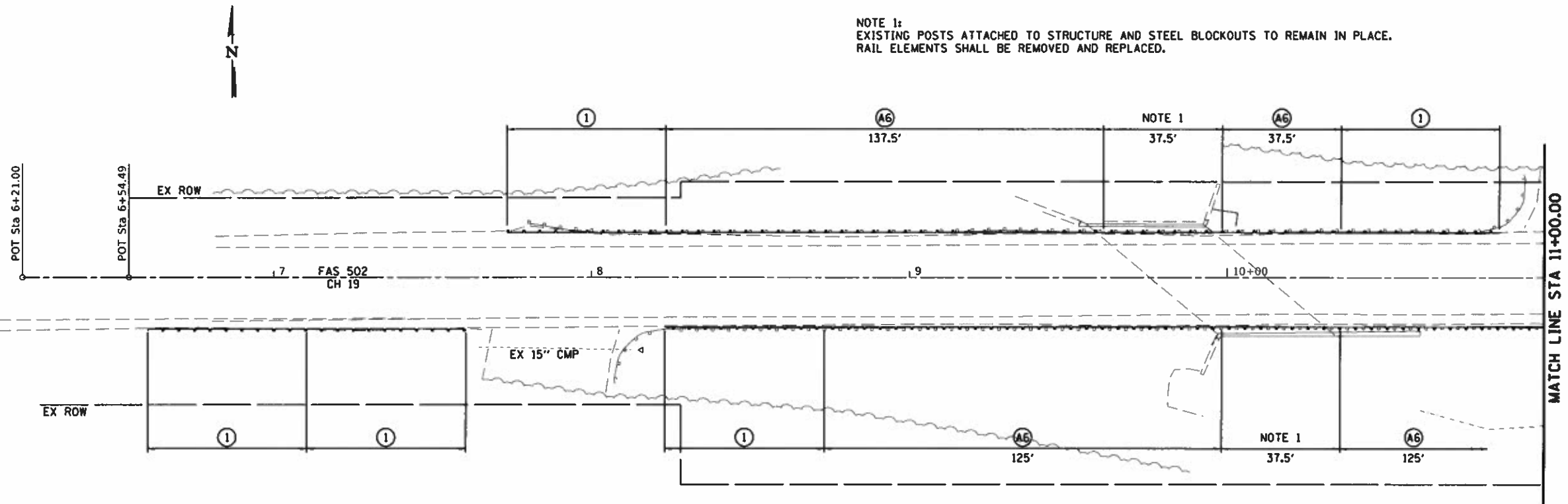
PLAN

SCALE:	SHEET NO.	OF SHEETS	STA.	TO STA.

F.A. RTE.	SECTION	COUNTY	TOTAL SHEETS	SHEET NO.
	16-00444-00-SP	CHAMPAIGN	53	21
FED. ROAD DIST. NO. ILLINOIS FED. AID PROJECT			CONTRACT NO. 91550	

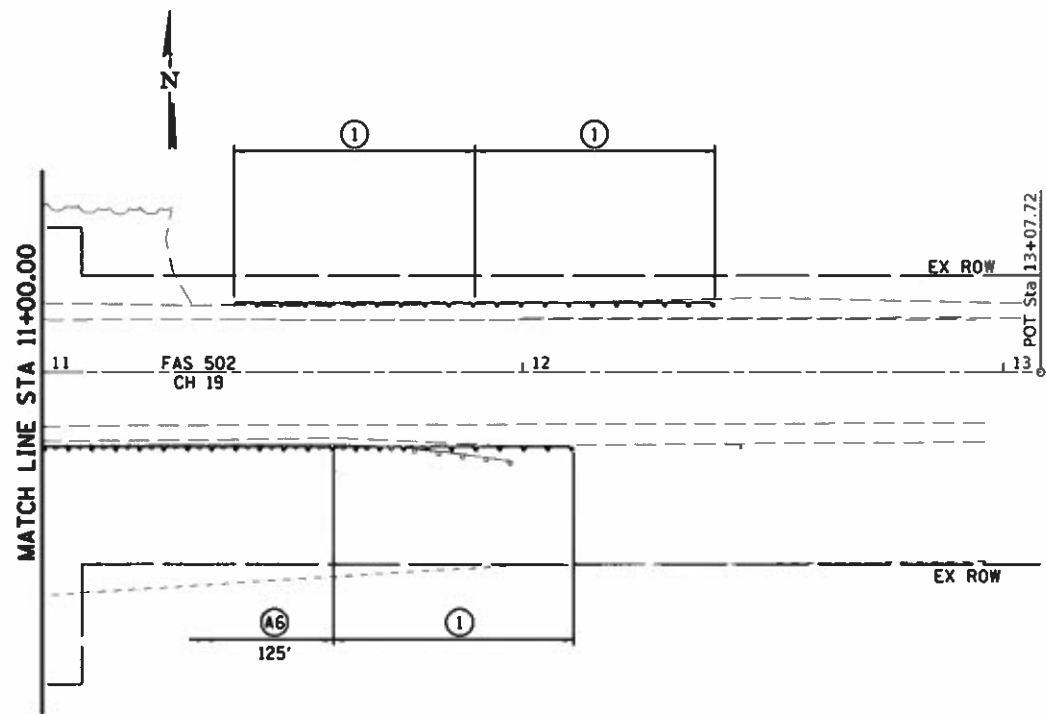
SEC 13, T20N, R9E, 3RD PM

NOTE 1:
EXISTING POSTS ATTACHED TO STRUCTURE AND STEEL BLOCKOUTS TO REMAIN IN PLACE.
RAIL ELEMENTS SHALL BE REMOVED AND REPLACED.



SEC 24, T20N, R9E, 3RD PM

SEC 13, T20N, R9E, 3RD PM



LEGEND

- ◆ TEMPORARY DITCH CHECKS
- PERIMETER EROSION BARRIER
- ⊠ INLET AND PIPE PROTECTION
- (A6) STEEL PLATE BEAM GUARDRAIL, TYPE A, 6 FOOT POSTS
- (A9) STEEL PLATE BEAM GUARDRAIL, TYPE A, 9 FOOT POSTS
- (2) TRAFFIC BARRIER TERMINAL, TYPE 2
- (5A) TRAFFIC BARRIER TERMINAL, TYPE 5A
- (1) TRAFFIC BARRIER TERMINAL, TYPE 1 (SPECIAL) TANGENT
- (S) LONG SPAN GUARDRAIL OVER CULVERT, 12 FOOT 6 INCH SPAN

CH 20			
CONTROL POINT	STATION	COORDINATES	
		NORTHING	EASTING
PDT	6+21.00	1281721.82	1040416.23
PDT	6+54.49	1281721.92	1040449.72
PDT	13+07.72	1281723.79	1041102.95

LOCATION NO. 19
MAJOR COLLECTOR
ADT 550
DESIGN SPEED 50 MPH

SEC 24, T20N, R9E, 3RD PM



JOB = 2471.1
FILE NAME = plan19.dgn
PLOT SCALE = 48.0000' / 1" =
PLDT DATE = 7/30/2018

DESIGNED = CCF
DRAWN = SJS
CHECKED = NAK
DATE = 3/23/2017

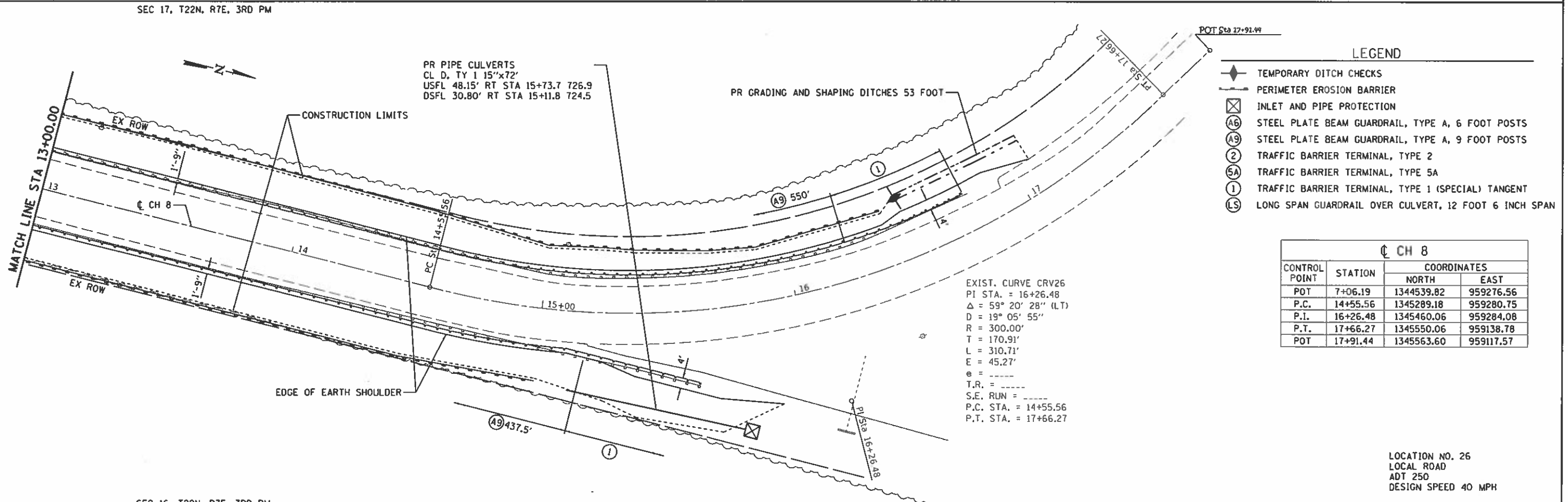
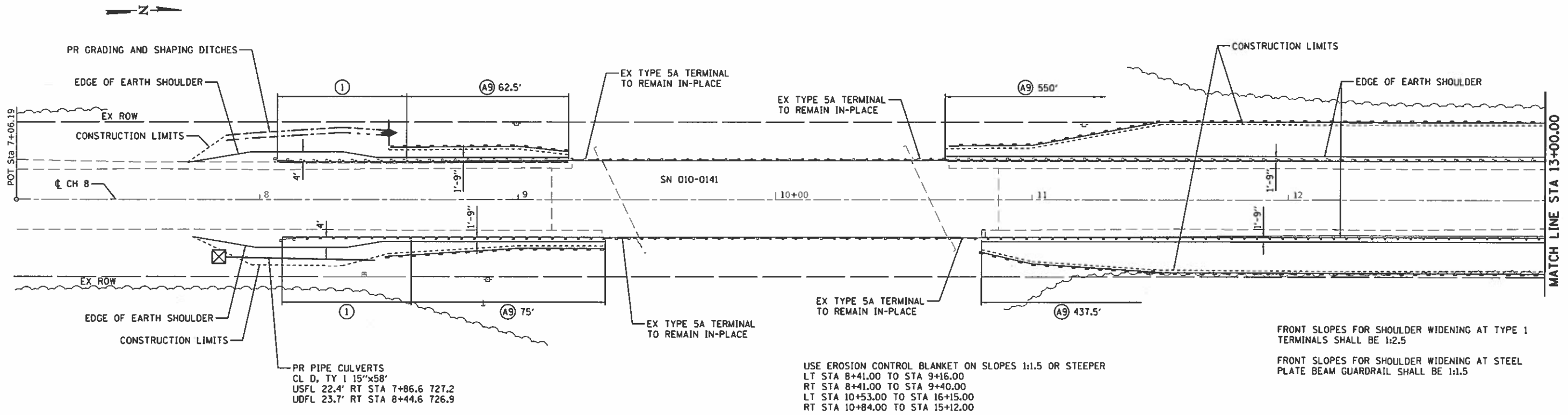
REVISED =
REVISED =
REVISED =
REVISED =

CHAMPAIGN COUNTY
GUARDRAIL IMPROVEMENTS

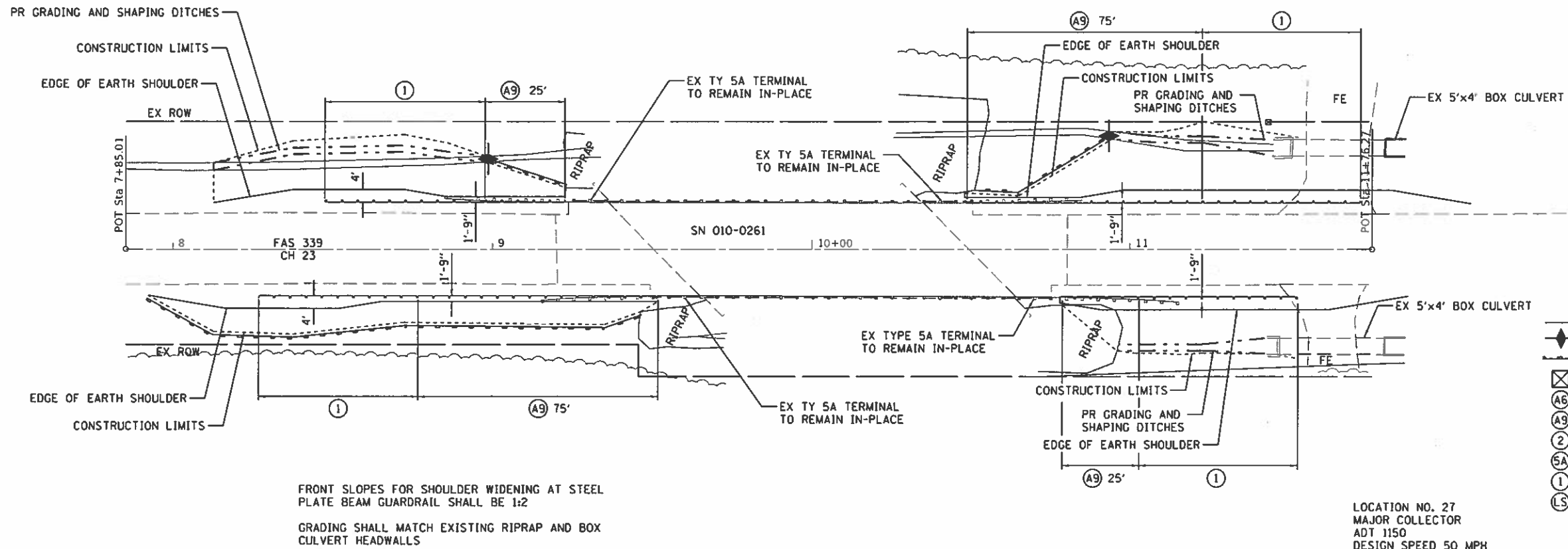
PLAN

SCALE: SHEET NO. OF SHEETS STA. TO STA.

F.A. RTE.	SECTION	COUNTY	TOTAL SHEETS	SHEET NO.
	16-00444-00-SP	CHAMPAIGN	53	22
CONTRACT NO. 91550				
FED. ROAD DIST. NO. ILLINOIS FED. AID PROJECT				



SEC 27, T22N, R8E, 3RD PM



CH 23			
CONTROL POINT	STATION	COORDINATES	
		NORTHING	EASTING
POT	7+85.01	1333666.59	1001602.83
POT	11+76.27	1334057.84	1001599.17

EXISTING FIELD ENTRANCES TO BE RELOCATED BY OTHERS

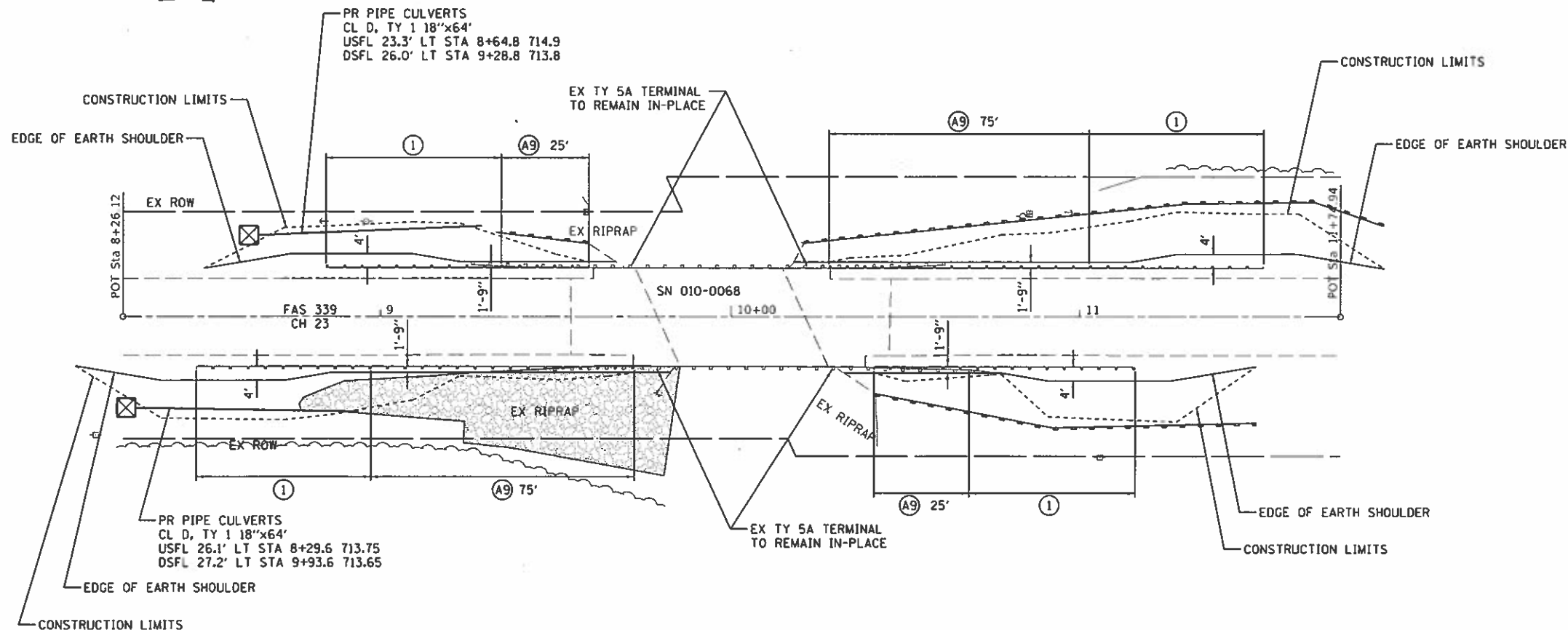
LEGEND

- ◆ TEMPORARY DITCH CHECKS
- PERIMETER EROSION BARRIER
- ⊠ INLET AND PIPE PROTECTION
- ⊙ A6 STEEL PLATE BEAM GUARDRAIL, TYPE A, 6 FOOT POSTS
- ⊙ A9 STEEL PLATE BEAM GUARDRAIL, TYPE A, 9 FOOT POSTS
- ⊙ 2 TRAFFIC BARRIER TERMINAL, TYPE 2
- ⊙ 5A TRAFFIC BARRIER TERMINAL, TYPE 5A
- ⊙ 1 TRAFFIC BARRIER TERMINAL, TYPE 1 (SPECIAL) TANGENT
- ⊙ LS LONG SPAN GUARDRAIL OVER CULVERT, 12 FOOT 6 INCH SPAN

LOCATION NO. 27
MAJOR COLLECTOR
ADT 1150
DESIGN SPEED 50 MPH

SEC 26, T22N, R8E, 3RD PM

SEC 10, T22N, R8E, 3RD PM



CH 23			
CONTROL POINT	STATION	COORDINATES	
		NORTHING	EASTING
POT	8+26.12	1350588.28	1001480.41
POT	11+74.94	1350937.10	1001478.33

LOCATION NO. 28
MAJOR COLLECTOR
ADT 1150
DESIGN SPEED 50 MPH

SEC 11, T22N, R8E, 3RD PM



JOB = 2471.1
FILE NAME = plan27&28.dgn
PLOT SCALE = 48.0000' / 1" =
PLOT DATE = 7/30/2018

DESIGNED - CGF
DRAWN - SJS
CHECKED - NAK
DATE - 3/23/2017

REVISED -
REVISED -
REVISED -
REVISED -

CHAMPAIGN COUNTY
GUARDRAIL IMPROVEMENTS

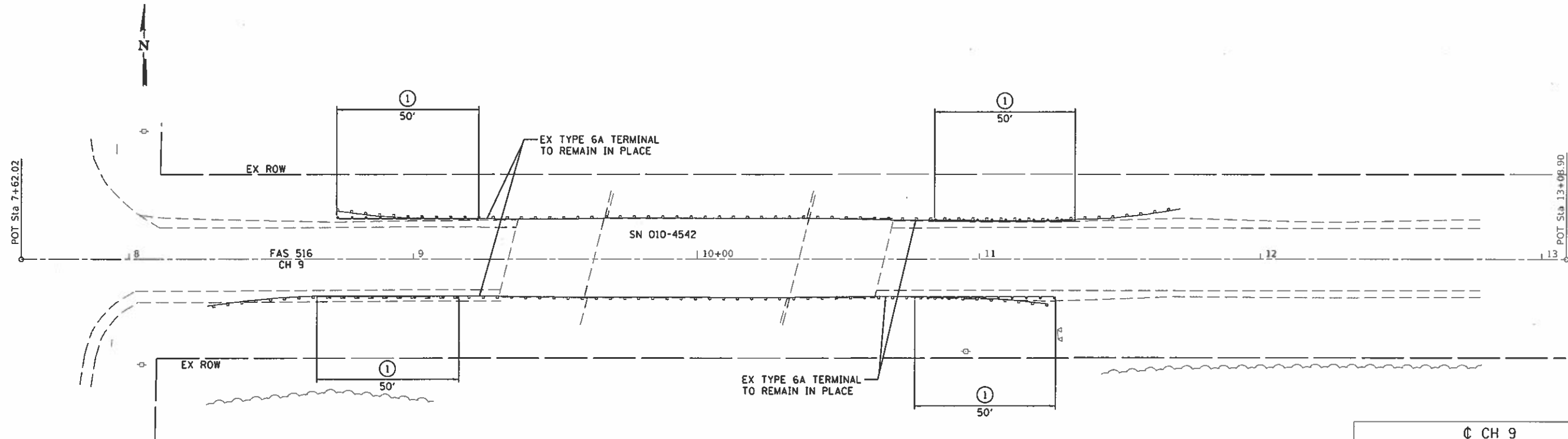
PLAN

SCALE: SHEET NO. OF SHEETS STA. TO STA.

F.A. RTE.	SECTION	COUNTY	TOTAL SHEETS	SHEET NO.
	16-00444-00-SP	CHAMPAIGN	53	24
CONTRACT NO. 91550				

FED. ROAD DIST. NO. ILLINOIS FED. AID PROJECT

SEC 6, T22N, R9E, 3RD PM



SEC 7, T22N, R9E, 3RD PM

CH 9			
CONTROL POINT	STATION	COORDINATES	
		NORTHING	EASTING
POT	7+62.02	1354112.35	1012028.56
POT	10+00.00	1354116.95	1012266.50
POT	13+08.90	1354122.93	1012575.34

LEGEND

- ◆ TEMPORARY DITCH CHECKS
- PERIMETER EROSION BARRIER
- ⊠ INLET AND PIPE PROTECTION
- ⊙ A6 STEEL PLATE BEAM GUARDRAIL, TYPE A, 6 FOOT POSTS
- ⊙ A9 STEEL PLATE BEAM GUARDRAIL, TYPE A, 9 FOOT POSTS
- ⊙ 2 TRAFFIC BARRIER TERMINAL, TYPE 2
- ⊙ 5A TRAFFIC BARRIER TERMINAL, TYPE 5A
- ⊙ 1 TRAFFIC BARRIER TERMINAL, TYPE 1 (SPECIAL) TANGENT

LOCATION NO. 29
 MAJOR COLLECTOR
 ADT 125
 DESIGN SPEED 40 MPH



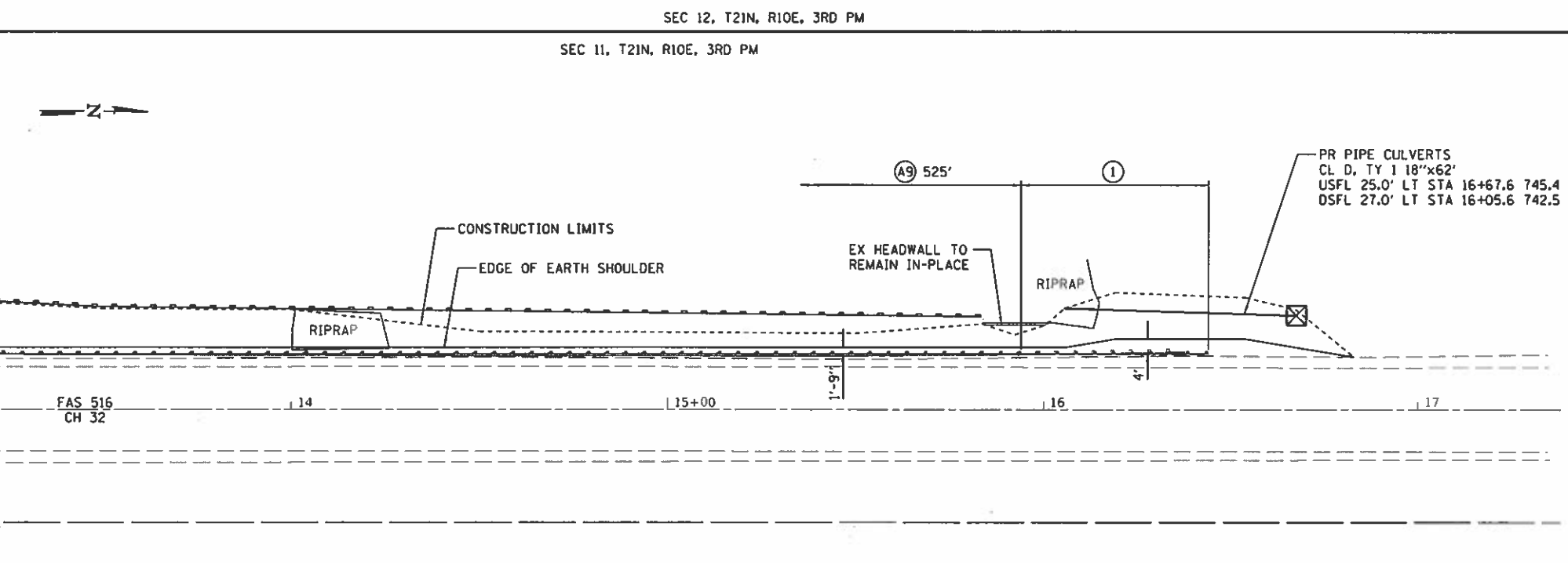
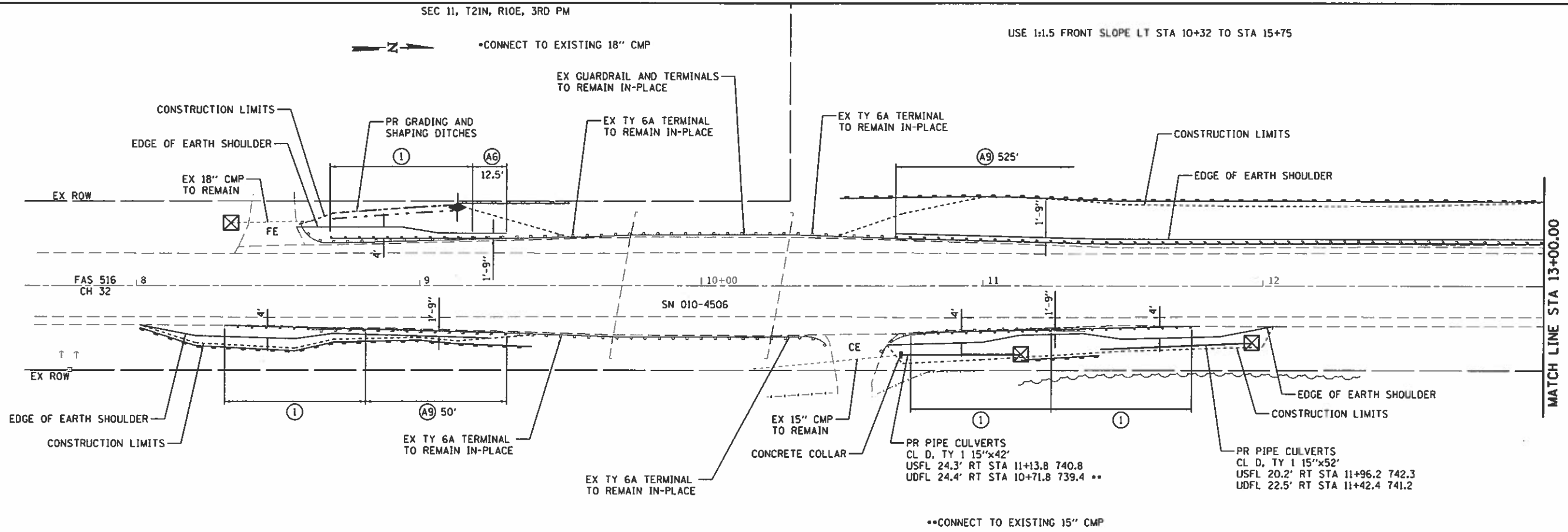
JOB # 2471.1	DESIGNED - CGF	REVISED -
FILE NAME = plan29.dgn	DRAWN - SJS	REVISED -
PLOT SCALE = 48,0000' / in.	CHECKED - NAK	REVISED -
PLOT DATE = 7/30/2018	DATE - 3/23/2017	REVISED -

CHAMPAIGN COUNTY
 GUARDRAIL IMPROVEMENTS

PLAN

SCALE: SHEET NO. OF SHEETS STA. TO STA.

F.A. RTE.	SECTION	COUNTY	TOTAL SHEETS	SHEET NO.
	16-00444-00-SP	CHAMPAIGN	53	25
CONTRACT NO. 91550				
FED. ROAD DIST. NO. ILLINOIS FED. AID PROJECT				



- LEGEND**
- ◆ TEMPORARY DITCH CHECKS
 - PERIMETER EROSION BARRIER
 - ⊗ INLET AND PIPE PROTECTION
 - ⓐ6 STEEL PLATE BEAM GUARDRAIL, TYPE A, 6 FOOT POSTS
 - ⓐ9 STEEL PLATE BEAM GUARDRAIL, TYPE A, 9 FOOT POSTS
 - ⓐ2 TRAFFIC BARRIER TERMINAL, TYPE 2
 - ⓐ5A TRAFFIC BARRIER TERMINAL, TYPE 5A
 - ⓐ1 TRAFFIC BARRIER TERMINAL, TYPE 1 (SPECIAL) TANGENT
 - ⓐLS LONG SPAN GUARDRAIL OVER CULVERT, 12 FOOT 6 INCH SPAN

USE EROSION CONTROL BLANKET ON SLOPES 1:1.5 OR STEEPER
LT STA 10+53.00 TO STA 16+12.00

CH 32

CONTROL POINT	STATION	COORDINATES	
		NORTH	EAST
POT	7+60.49	1318476.25	1071317.04
POT	10+00.00	1318715.74	1071314.39
POT	17+37.98	1319453.68	1071306.23

LOCATION NO. 31
MAJOR COLLECTOR
ADT 1200
DESIGN SPEED 50 MPH



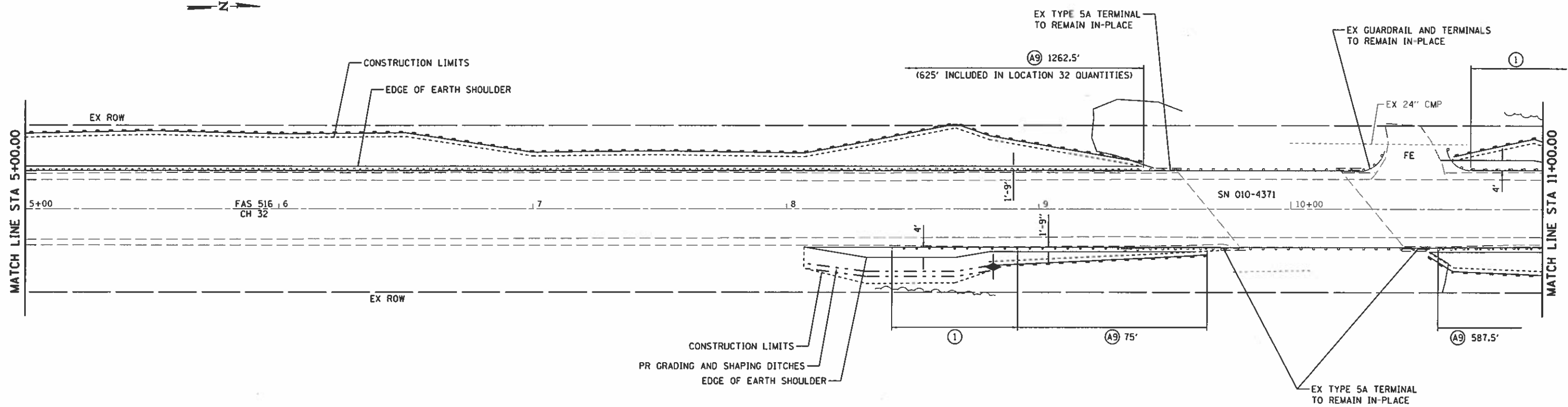
JOB = 2471.1	DESIGNED = CGF	REVISED =
FILE NAME = plan31.dgn	DRAWN = SJS	REVISED =
PLOT SCALE = 40,0000' / 1" =	CHECKED = NAK	REVISED =
PLOT DATE = 7/30/2018	DATE = 3/23/2017	REVISED =

**CHAMPAIGN COUNTY
GUARDRAIL IMPROVEMENTS**

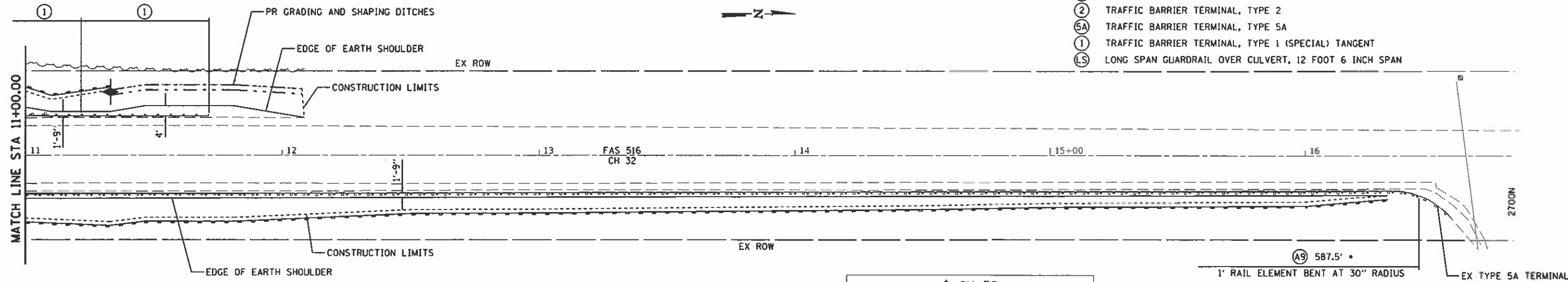
PLAN

SCALE: SHEET NO. OF SHEETS STA. TO STA.

F.A. RTE.	SECTION	COUNTY	TOTAL SHEETS	SHEET NO.
	16-00444-00-SP	CHAMPAIGN	53	26
CONTRACT NO. 91550				
FED. ROAD DIST. NO. [ILLINOIS] FED. AID PROJECT				



- LEGEND**
- ◆ TEMPORARY DITCH CHECKS
 - PERIMETER EROSION BARRIER
 - ⊗ INLET AND PIPE PROTECTION
 - ⊙(A6) STEEL PLATE BEAM GUARDRAIL, TYPE A, 6 FOOT POSTS
 - ⊙(A9) STEEL PLATE BEAM GUARDRAIL, TYPE A, 9 FOOT POSTS
 - ⊙(2) TRAFFIC BARRIER TERMINAL, TYPE 2
 - ⊙(5A) TRAFFIC BARRIER TERMINAL, TYPE 5A
 - ⊙(1) TRAFFIC BARRIER TERMINAL, TYPE 1 (SPECIAL) TANGENT
 - ⊙(LS) LONG SPAN GUARDRAIL OVER CULVERT, 12 FOOT 6 INCH SPAN



CH 32

CONTROL POINT	STATION	COORDINATES	
		NORTHING	EASTING
POT	7+49.11	1309808.75	1071402.26
POT	10+00.00	1310059.63	1071400.67
POT	17+32.68	1310792.30	1071396.02
POT	3+48.01	1310792.30	1071396.02
POT	10+00.00	1311444.28	1071392.08
POT	16+82.32	1312126.59	1071387.96

• CONNECT TO EXISTING TYPE 5A TERMINAL

LOCATION NO. 32
MAJOR COLLECTOR
ADT 1200
DESIGN SPEED 50 MPH



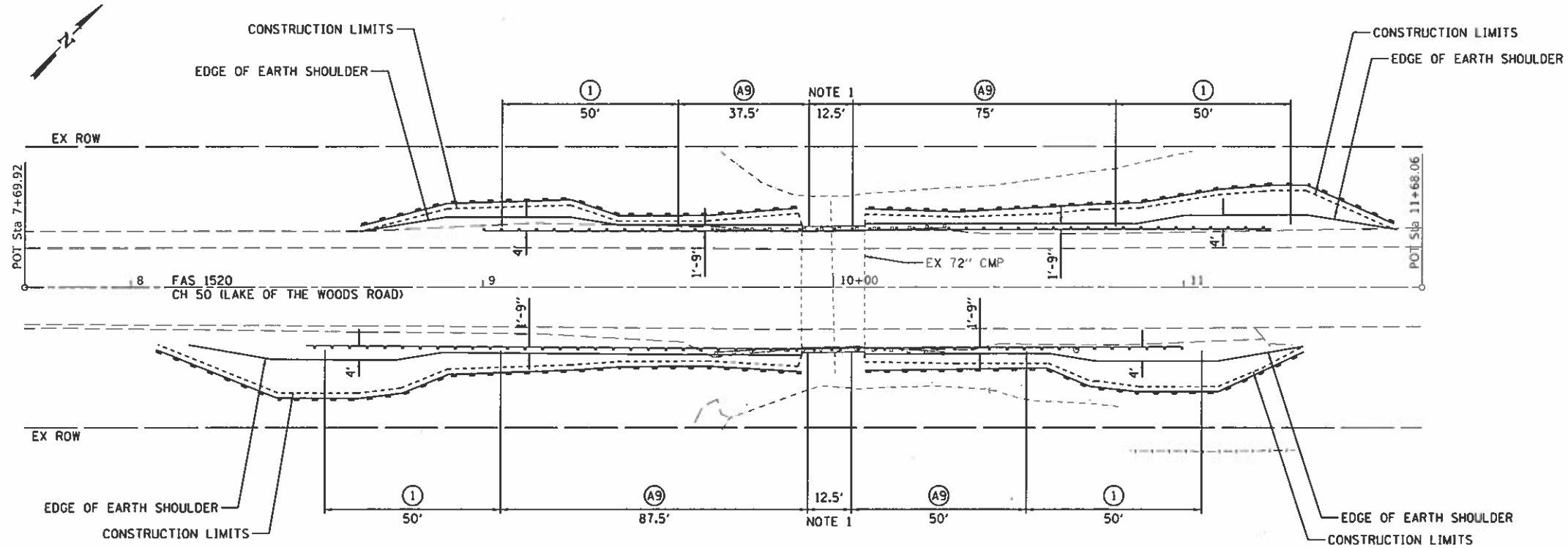
JOB # 2471.1	DESIGNED - CGF	REVISED -
FILE NAME = plan32833.dgn	DRAWN - SJS	REVISED -
PLOT SCALE = 40.0000' / 1" =	CHECKED - NAK	REVISED -
PLOT DATE = 7/30/2018	DATE = 3/23/2017	REVISED -

**CHAMPAIGN COUNTY
GUARDRAIL IMPROVEMENTS**

PLAN

SCALE: SHEET NO. OF SHEETS STA. TO STA.

F.A. RTE.	SECTION	COUNTY	TOTAL SHEETS	SHEET NO.
	16-00444-00-SP	CHAMPAIGN	53	27
FED. ROAD DIST. NO.		ILLINOIS FED. AID PROJECT		
CONTRACT NO. 91550				



USE 1:1.5 FRONT SLOPES AT
LT & RT STA 9+90 TO STA 10+09

USE EROSION CONTROL BLANKET ON SLOPES STEEPER THAN 1:2
LT STA 9+77.00 TO STA 10+22.00
RT STA 10+00.00 TO STA 10+22.00

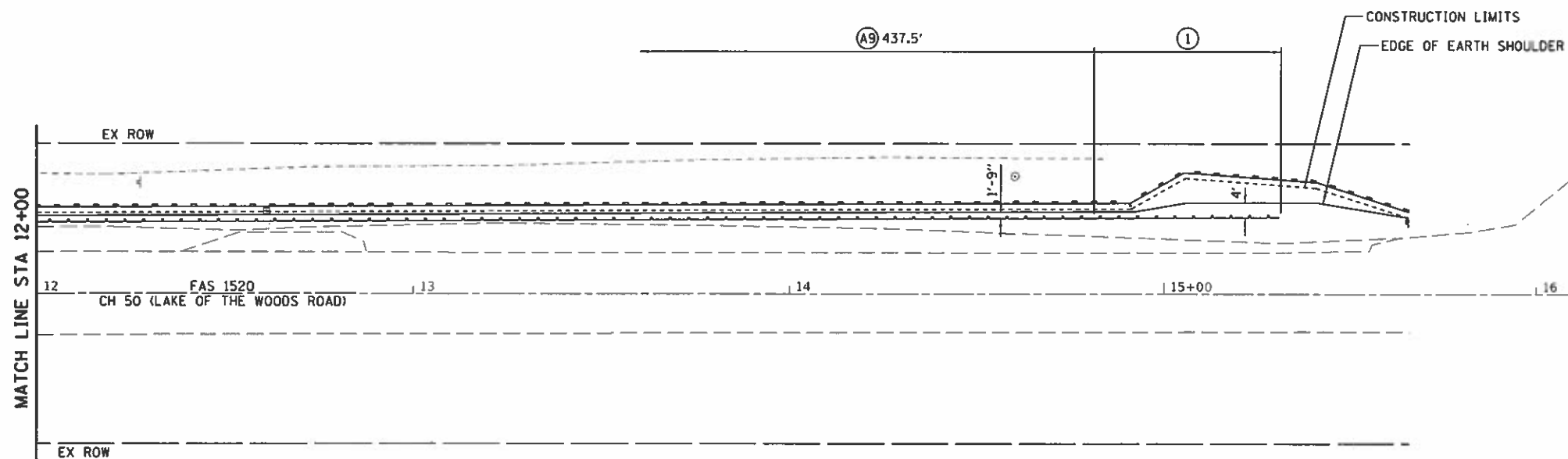
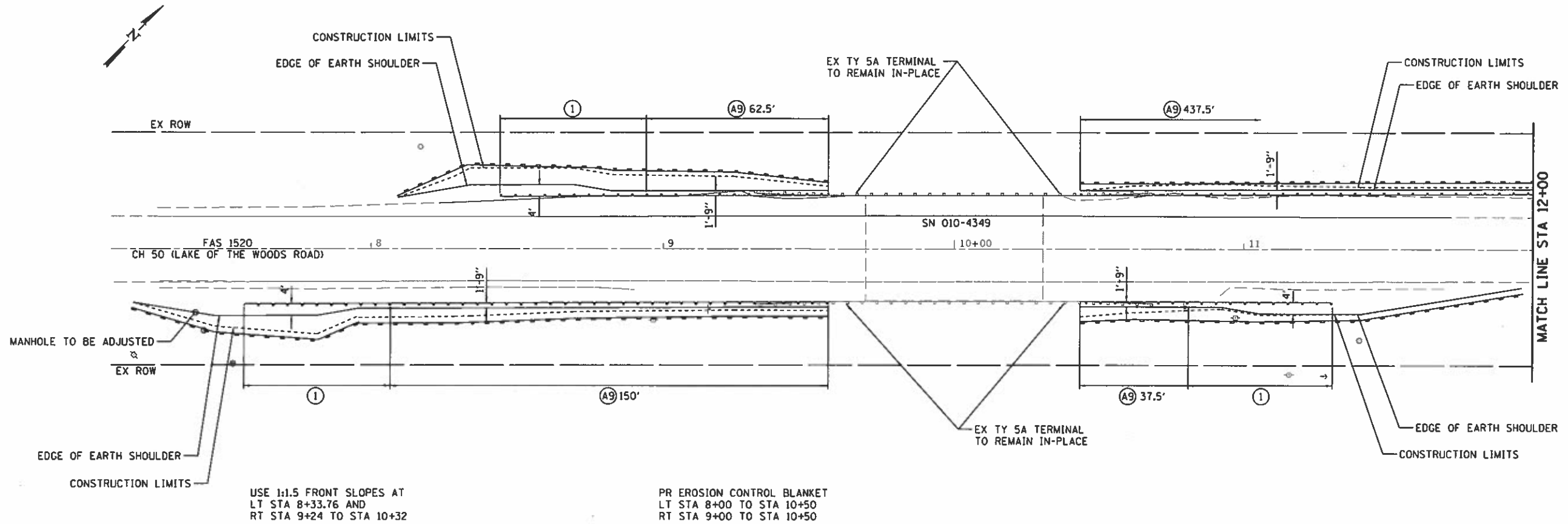
NOTE 1
REMOVE RAIL ELEMENTS AND REPLACE WITH
NEW RAIL ELEMENTS. EXISTING POSTS
ATTACHED TO STRUCTURE AND BLOCKOUTS
TO REMAIN IN PLACE.

LEGEND

- ◆ TEMPORARY DITCH CHECKS
- PERIMETER EROSION BARRIER
- ⊗ INLET AND PIPE PROTECTION
- ⊙ A6 STEEL PLATE BEAM GUARDRAIL, TYPE A, 6 FOOT POSTS
- ⊙ A9 STEEL PLATE BEAM GUARDRAIL, TYPE A, 9 FOOT POSTS
- ⊙ 2 TRAFFIC BARRIER TERMINAL, TYPE 2
- ⊙ 5A TRAFFIC BARRIER TERMINAL, TYPE 5A
- ⊙ 1 TRAFFIC BARRIER TERMINAL, TYPE 1 (SPECIAL) TANGENT
- ⊙ LS LONG SPAN GUARDRAIL OVER CULVERT, 12 FOOT 6 INCH SPAN

CH 50			
CONTROL POINT	STATION	COORDINATES	
		NORTH	EAST
POT	7+69.92	1285624.18	971411.08
POT	11+68.06	1285905.45	971692.85

LOCATION NO. 37
MAJOR COLLECTOR
ADT 2250
DESIGN SPEED 50 MPH



LEGEND

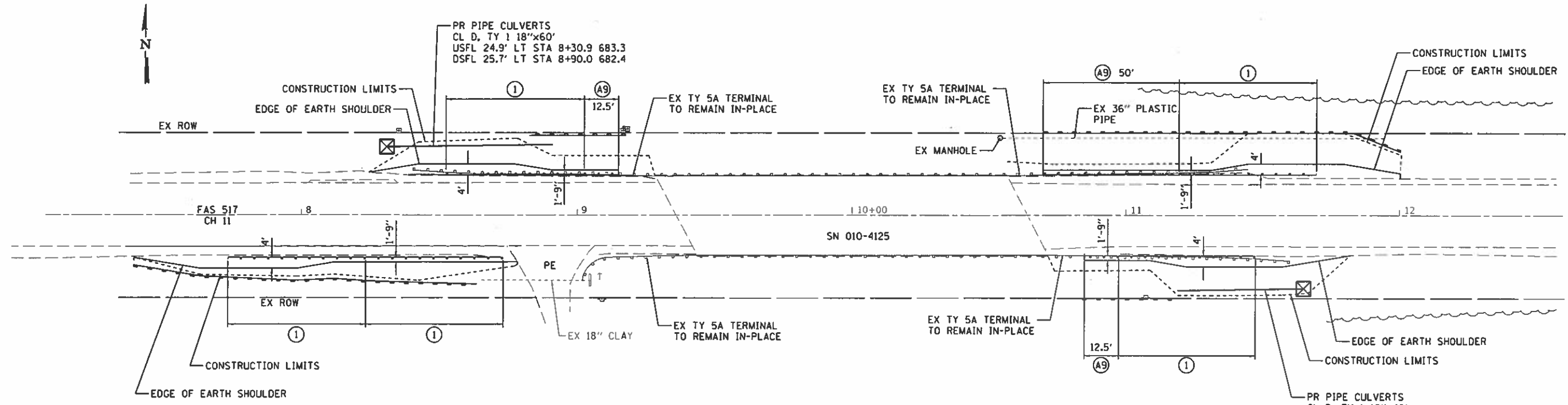
- ◆ TEMPORARY DITCH CHECKS
- PERIMETER EROSION BARRIER
- ⊗ INLET AND PIPE PROTECTION
- ⊙(A6) STEEL PLATE BEAM GUARDRAIL, TYPE A, 6 FOOT POSTS
- ⊙(A9) STEEL PLATE BEAM GUARDRAIL, TYPE A, 9 FOOT POSTS
- ⊙(2) TRAFFIC BARRIER TERMINAL, TYPE 2
- ⊙(5A) TRAFFIC BARRIER TERMINAL, TYPE 5A
- ⊙(1) TRAFFIC BARRIER TERMINAL, TYPE 1 (SPECIAL) TANGENT
- ⊙(LS) LONG SPAN GUARDRAIL OVER CULVERT, 12 FOOT 6 INCH SPAN

CH 50			
CONTROL POINT	STATION	COORDINATES	
		NORTH	EAST
POT	7+11.11	1286275.40	972060.57
POT	15+66.08	1286927.71	972710.30

LOCATION NO. 38
 MAJOR COLLECTOR
 ADT 1750
 DESIGN SPEED 50 MPH

USE EROSION CONTROL BLANKET ON SLOPES 1:1.5 OR STEEPER
 LT STA 8+85.00 TO STA 11+37.00

SEC 29, T21N, R9E, 3RD PM



SEC 32, T21N, R9E, 3RD PM

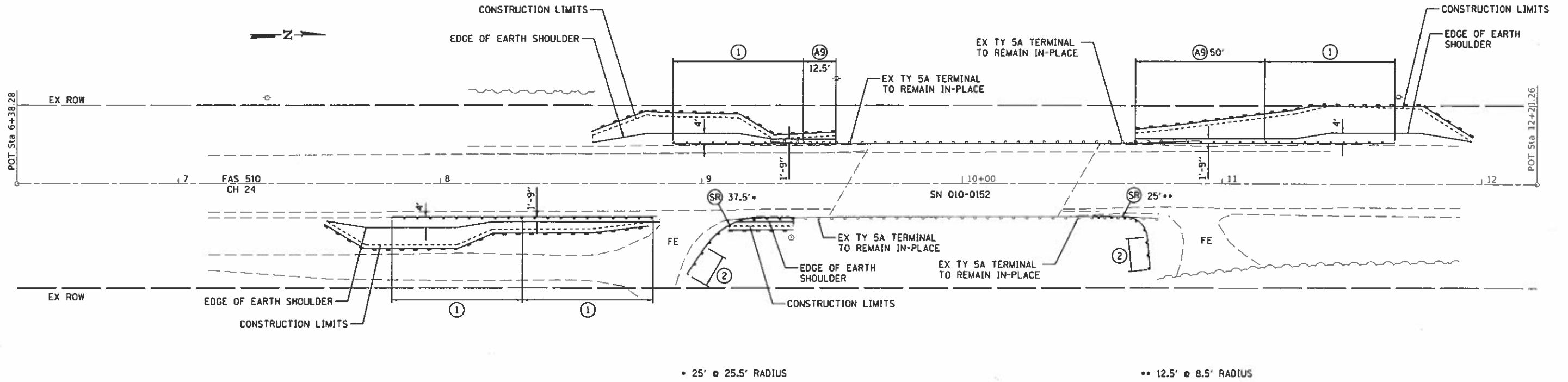
LEGEND

- ◆ TEMPORARY DITCH CHECKS
- PERIMETER EROSION BARRIER
- ⊗ INLET AND PIPE PROTECTION
- Ⓐ STEEL PLATE BEAM GUARDRAIL, TYPE A, 6 FOOT POSTS
- Ⓘ STEEL PLATE BEAM GUARDRAIL, TYPE A, 9 FOOT POSTS
- Ⓒ TRAFFIC BARRIER TERMINAL, TYPE 2
- Ⓔ TRAFFIC BARRIER TERMINAL, TYPE 5A
- Ⓘ TRAFFIC BARRIER TERMINAL, TYPE 1 (SPECIAL) TANGENT
- Ⓕ LONG SPAN GUARDRAIL OVER CULVERT, 12 FOOT 6 INCH SPAN

CH 11			
CONTROL POINT	STATION	COORDINATES	
		NORTH	EAST
POT	7+07.37	1301213.48	1052837.03
POT	7+33.82	1301213.73	1052863.48
POT	12+60.46	1301218.80	1053390.10

LOCATION NO. 43
 MAJOR COLLECTOR
 ADT 700
 DESIGN SPEED 50 MPH

SEC 6, T19N, R10E, 3RD PM



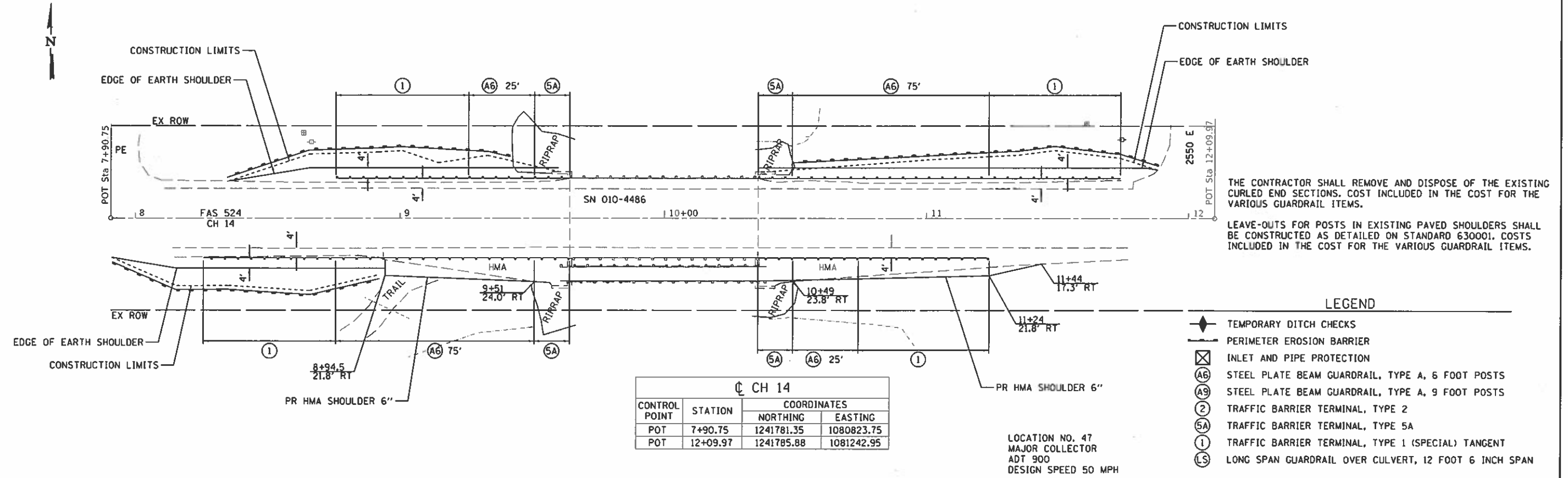
SEC 5, T19N, R10E, 3RD PM

CH 24			
CONTROL POINT	STATION	COORDINATES	
		NORTHING	EASTING
POT	6+38.28	1262177.76	1048124.18
POT	12+21.26	1262760.73	1048121.62

LEGEND

- ◆ TEMPORARY DITCH CHECKS
- PERIMETER EROSION BARRIER
- ⊗ INLET AND PIPE PROTECTION
- (A6) STEEL PLATE BEAM GUARDRAIL, TYPE A, 6 FOOT POSTS
- (A9) STEEL PLATE BEAM GUARDRAIL, TYPE A, 9 FOOT POSTS
- (2) TRAFFIC BARRIER TERMINAL, TYPE 2
- (5A) TRAFFIC BARRIER TERMINAL, TYPE 5A
- (1) TRAFFIC BARRIER TERMINAL, TYPE 1 (SPECIAL) TANGENT
- (LS) LONG SPAN GUARDRAIL OVER CULVERT, 12 FOOT 6 INCH SPAN
- (SR) STEEL PLATE BEAM GUARDRAIL, SHORT RADIUS

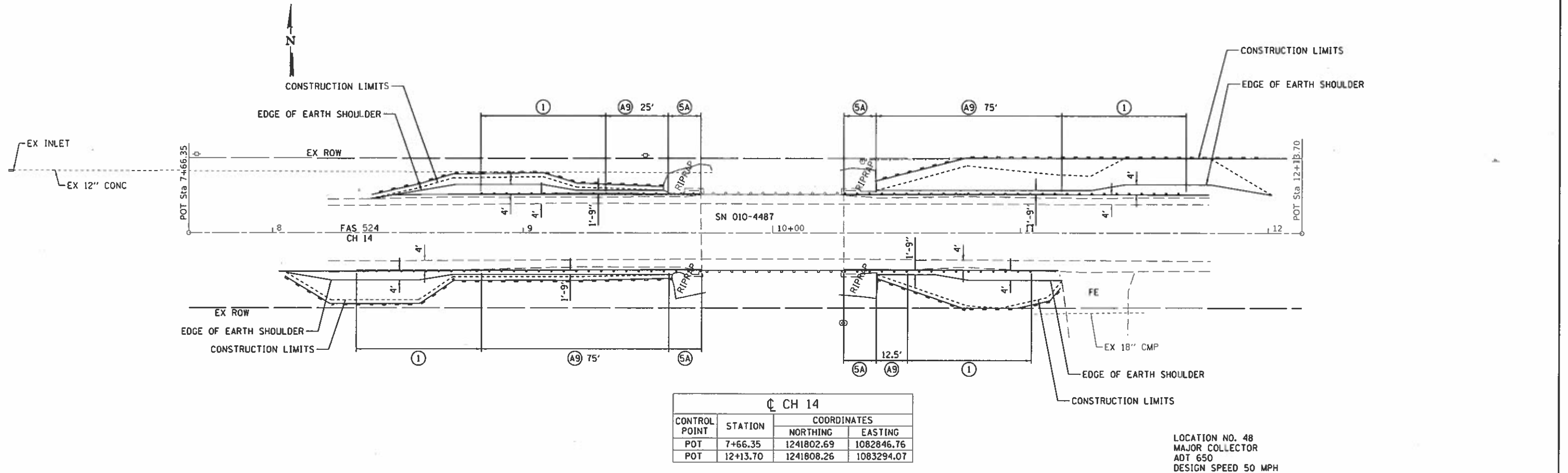
LOCATION NO. 45
 MAJOR COLLECTOR
 ADT 600
 DESIGN SPEED 50 MPH



THE CONTRACTOR SHALL REMOVE AND DISPOSE OF THE EXISTING CURLED END SECTIONS. COST INCLUDED IN THE COST FOR THE VARIOUS GUARDRAIL ITEMS.

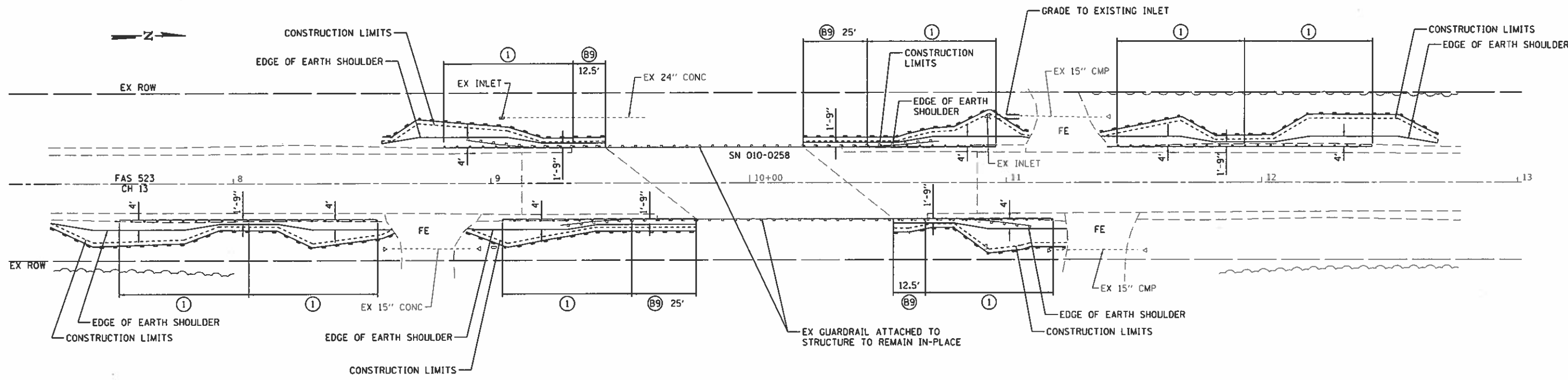
LEAVE-OUTS FOR POSTS IN EXISTING PAVED SHOULDERS SHALL BE CONSTRUCTED AS DETAILED ON STANDARD 630001. COSTS INCLUDED IN THE COST FOR THE VARIOUS GUARDRAIL ITEMS.

- LEGEND**
- ◆ TEMPORARY DITCH CHECKS
 - ▬ PERIMETER EROSION BARRIER
 - ⊗ INLET AND PIPE PROTECTION
 - ⓐ6 STEEL PLATE BEAM GUARDRAIL, TYPE A, 6 FOOT POSTS
 - ⓐ9 STEEL PLATE BEAM GUARDRAIL, TYPE A, 9 FOOT POSTS
 - ⓐ2 TRAFFIC BARRIER TERMINAL, TYPE 2
 - ⓐ5A TRAFFIC BARRIER TERMINAL, TYPE 5A
 - ⓐ1 TRAFFIC BARRIER TERMINAL, TYPE 1 (SPECIAL) TANGENT
 - ⓐLS LONG SPAN GUARDRAIL OVER CULVERT, 12 FOOT 6 INCH SPAN



THIS SHEET INTENTIONALLY LEFT BLANK

CEC Cummins Engineering Corporation Civil and Structural Engineering	JOB = 2471.1	DESIGNED - CGF	REVISED -	CHAMPAIGN COUNTY GUARDRAIL IMPROVEMENTS	PLAN	F.A. RTE.	SECTION	COUNTY	TOTAL SHEETS	SHEET NO.
	FILE NAME = plan4.dgn	DRAWN - SJS	REVISED -			16-00444-00-SP	CHAMPAIGN	53	34	
	PLOT SCALE = 48.0000' / 1" =	CHECKED - NAK	REVISED -			CONTRACT NO. 91550				
	PLOT DATE = 8/13/2018	DATE - 3/23/2017	REVISED -			SCALE:	SHEET NO. OF SHEETS	STA. TO STA.	FED. ROAD DIST. NO.	(ILLINOIS) FED. AID PROJECT



- LEGEND**
- ◆ TEMPORARY DITCH CHECKS
 - PERIMETER EROSION BARRIER
 - ⊗ INLET AND PIPE PROTECTION
 - Ⓐ STEEL PLATE BEAM GUARDRAIL, TYPE A, 6 FOOT POSTS
 - Ⓐ STEEL PLATE BEAM GUARDRAIL, TYPE A, 9 FOOT POSTS
 - Ⓑ STEEL PLATE BEAM GUARDRAIL, TYPE B, 9 FOOT POSTS
 - ② TRAFFIC BARRIER TERMINAL, TYPE 2
 - ⑤A TRAFFIC BARRIER TERMINAL, TYPE 5A
 - ① TRAFFIC BARRIER TERMINAL, TYPE 1 (SPECIAL) TANGENT
 - ⓁS LONG SPAN GUARDRAIL OVER CULVERT, 12 FOOT 6 INCH SPAN

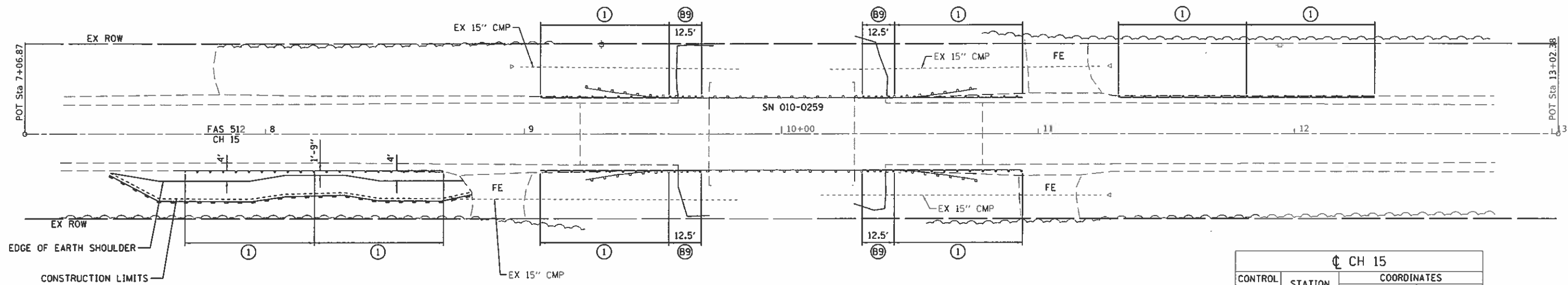
CH 13

CONTROL POINT	STATION	COORDINATES	
		NORTHING	EASTING
POT	7+13.21	1219138.82	1079199.80
POT	13+01.63	1219727.23	1079198.31

LOCATION NO. 50
 MAJOR COLLECTOR
 ADT 650
 DESIGN SPEED 50 MPH

SEC 31, T18N, R11E, 3RD PM

NOTE: GUARDRAIL ATTACHED TO STRUCTURE SHALL REMAIN IN-PLACE



		CH 15	
CONTROL POINT	STATION	COORDINATES	
		NORTH	EAST
POT	7+06.87	1203273.31	1079177.83
POT	13+02.38	1203868.80	1079181.05

SEC 31, T18N, R14W, 2ND PM

LEGEND

- ◆ TEMPORARY DITCH CHECKS
- PERIMETER EROSION BARRIER
- ⊠ INLET AND PIPE PROTECTION
- Ⓐ STEEL PLATE BEAM GUARDRAIL, TYPE A, 6 FOOT POSTS
- Ⓐ STEEL PLATE BEAM GUARDRAIL, TYPE A, 9 FOOT POSTS
- Ⓑ STEEL PLATE BEAM GUARDRAIL, TYPE B, 9 FOOT POSTS
- ② TRAFFIC BARRIER TERMINAL, TYPE 2
- ⑤A TRAFFIC BARRIER TERMINAL, TYPE 5A
- ① TRAFFIC BARRIER TERMINAL, TYPE 1 (SPECIAL) TANGENT
- LS LONG SPAN GUARDRAIL OVER CULVERT, 12 FOOT 6 INCH SPAN

LOCATION NO. 51
 MAJOR COLLECTOR
 ADT 650
 DESIGN SPEED 50 MPH



JOB = 2471.1	DESIGNED - CGF	REVISED -
FILE NAME = plan51.dgn	DRAWN - SJS	REVISED -
PLOT SCALE = 48,0000' / 1"	CHECKED - NAK	REVISED -
PLOT DATE = 7/30/2018	DATE - 3/23/2017	REVISED -

CHAMPAIGN COUNTY
 GUARDRAIL IMPROVEMENTS

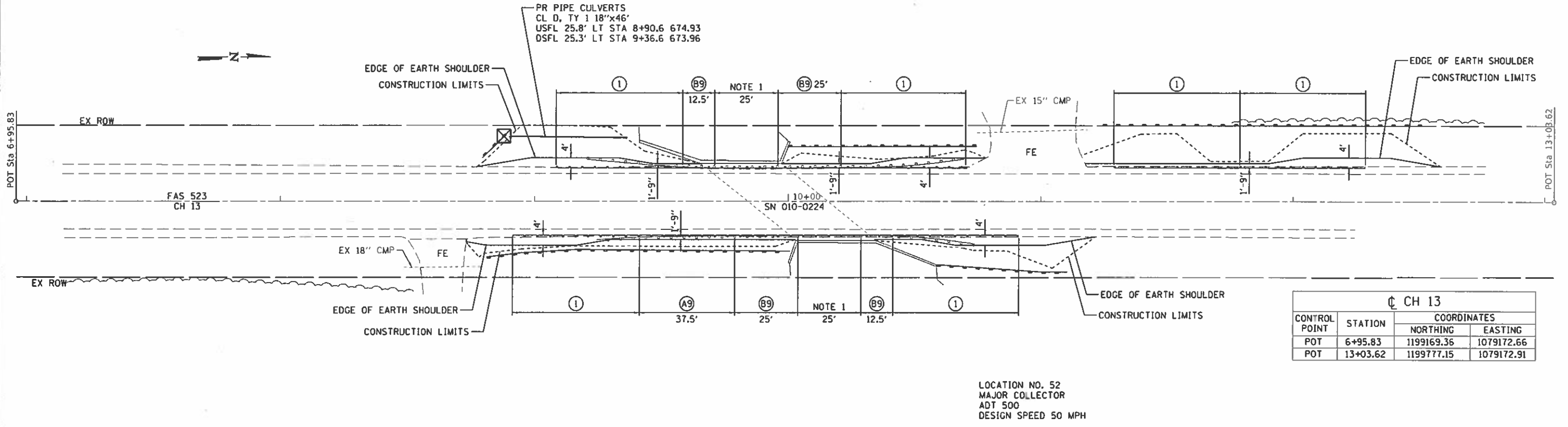
PLAN

SCALE: SHEET NO. OF SHEETS STA. TO STA.

F.A. RTE.	SECTION	COUNTY	TOTAL SHEETS	SHEET NO.
	16-00444-00-SP	CHAMPAIGN	53	36
CONTRACT NO. 91550			ILLINOIS FED. AID PROJECT	

NOTE 1
 GUARDRAIL POSTS ATTACHED TO STRUCTURE AND 6" STEEL
 BLOCKOUTS SHALL REMAIN IN-PLACE. RAIL ELEMENTS
 SHALL BE REMOVED AND REPLACED.

SEC 6, T17N, R11E, 3RD PM

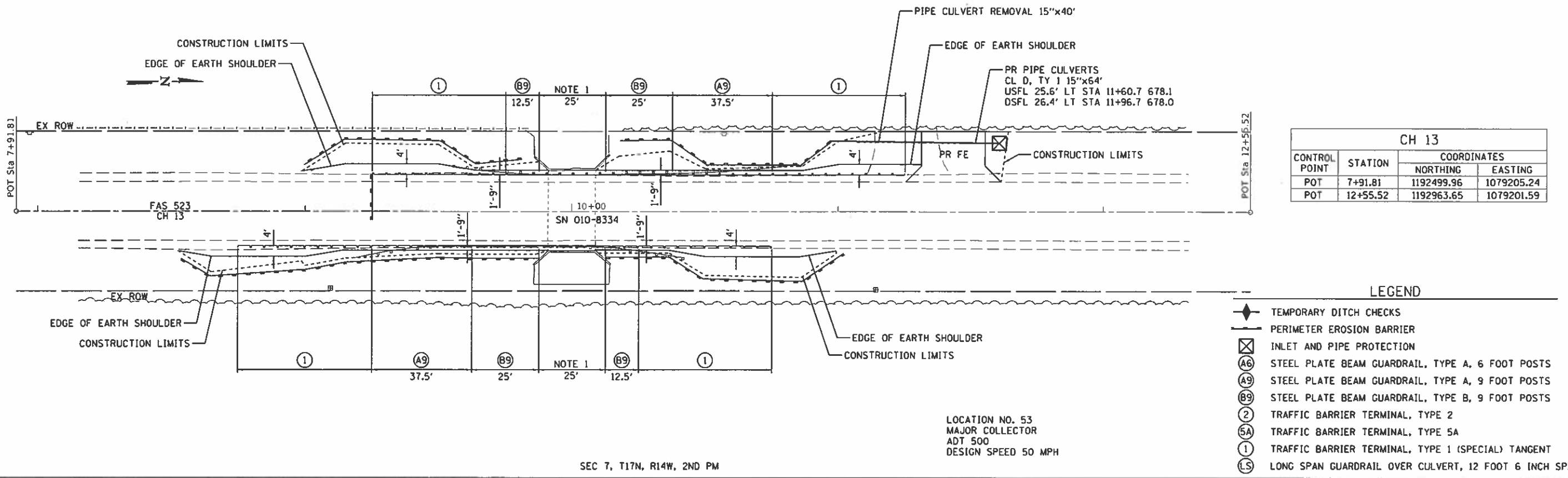


LOCATION NO. 52
 MAJOR COLLECTOR
 ADT 500
 DESIGN SPEED 50 MPH

SEC 6, T17N, R14W, 2ND PM

SEC 7, T17N, R11E, 3RD PM

GUARDRAIL POSTS ATTACHED TO STRUCTURE AND STEEL
 BLOCKOUTS SHALL REMAIN IN-PLACE. RAIL ELEMENTS
 SHALL BE REMOVED AND REPLACED.



LOCATION NO. 53
 MAJOR COLLECTOR
 ADT 500
 DESIGN SPEED 50 MPH

SEC 7, T17N, R14W, 2ND PM

- LEGEND**
- ◆ TEMPORARY DITCH CHECKS
 - PERIMETER EROSION BARRIER
 - ⊗ INLET AND PIPE PROTECTION
 - ⓐ6 STEEL PLATE BEAM GUARDRAIL, TYPE A, 6 FOOT POSTS
 - ⓐ9 STEEL PLATE BEAM GUARDRAIL, TYPE A, 9 FOOT POSTS
 - ⓑ9 STEEL PLATE BEAM GUARDRAIL, TYPE B, 9 FOOT POSTS
 - ② TRAFFIC BARRIER TERMINAL, TYPE 2
 - ⓐA TRAFFIC BARRIER TERMINAL, TYPE 5A
 - ① TRAFFIC BARRIER TERMINAL, TYPE 1 (SPECIAL) TANGENT
 - ⓐS LONG SPAN GUARDRAIL OVER CULVERT, 12 FOOT 6 INCH SPAN



JOB # 2471.1
 FILE NAME = plan52&53.dgn
 PLOT SCALE = 48.0000' / 1" =
 PLOT DATE = 7/30/2018

DESIGNED - CGF
 DRAWN - SJS
 CHECKED - NAK
 DATE - 3/23/2017

REVISED -
 REVISED -
 REVISED -
 REVISED -

**CHAMPAIGN COUNTY
 GUARDRAIL IMPROVEMENTS**

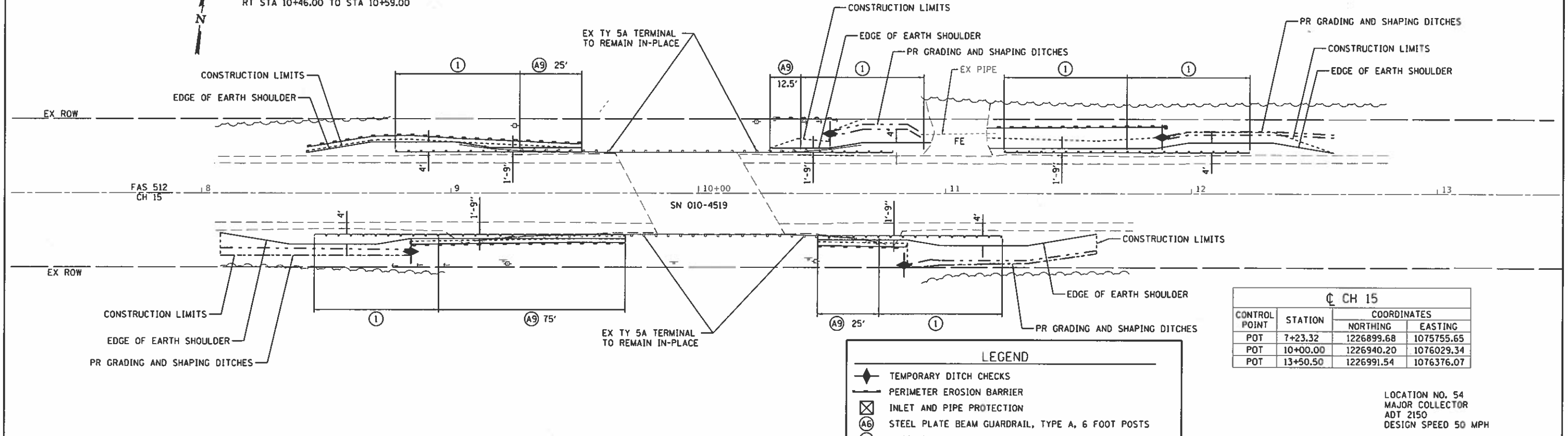
PLAN

SCALE: SHEET NO. OF SHEETS STA. TO STA.

F.A. RTE.	SECTION	COUNTY	TOTAL SHEETS	SHEET NO.
	16-00444-00-SP	CHAMPAIGN	53	37
CONTRACT NO. 91550				
FED. ROAD DIST. NO. ILLINOIS FED. AID PROJECT				

SEC 7, T18N, R11E, 3RD PM

USE EROSION CONTROL BLANKET ON SLOPES STEEPER THAN 1:2
 RT STA 8+77.00 TO STA 8+93.00
 LT STA 10+04.00 TO STA 10+59.00
 RT STA 10+46.00 TO STA 10+59.00



CH 15

CONTROL POINT	STATION	COORDINATES	
		NORTHING	EASTING
POT	7+23.32	1226899.68	1075755.65
POT	10+00.00	1226940.20	1076029.34
POT	13+50.50	1226991.54	1076376.07

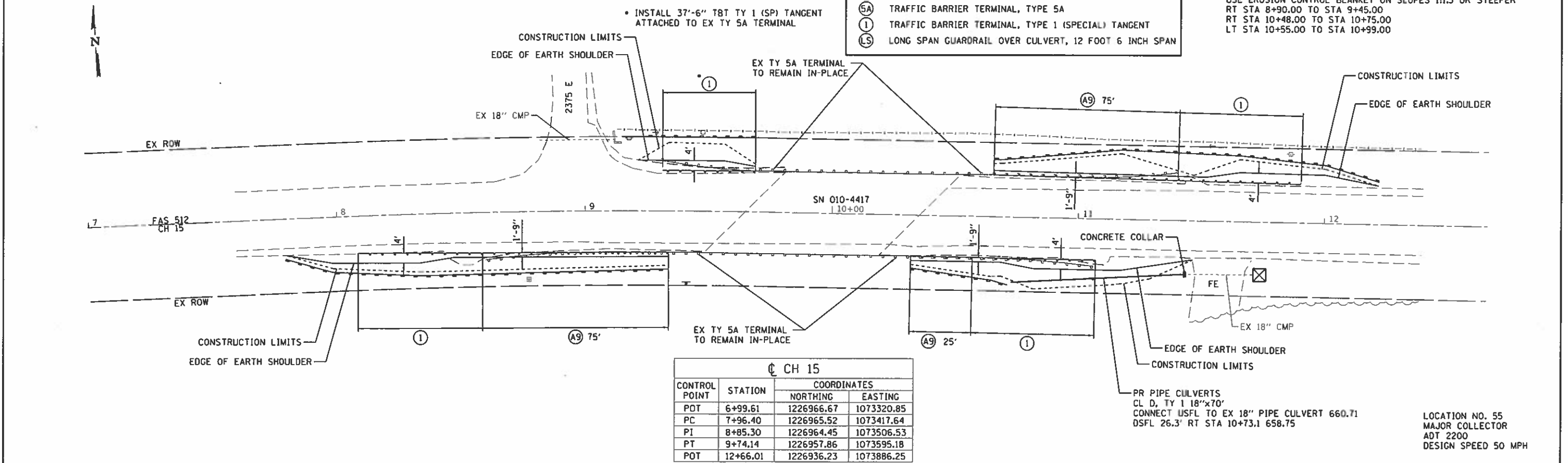
LOCATION NO. 54
 MAJOR COLLECTOR
 ADT 2150
 DESIGN SPEED 50 MPH

LEGEND

- ◆ TEMPORARY DITCH CHECKS
- PERIMETER EROSION BARRIER
- ⊗ INLET AND PIPE PROTECTION
- ⊙ A6 STEEL PLATE BEAM GUARDRAIL, TYPE A, 6 FOOT POSTS
- ⊙ A9 STEEL PLATE BEAM GUARDRAIL, TYPE A, 9 FOOT POSTS
- ⊙ 2 TRAFFIC BARRIER TERMINAL, TYPE 2
- ⊙ 5A TRAFFIC BARRIER TERMINAL, TYPE 5A
- ⊙ 1 TRAFFIC BARRIER TERMINAL, TYPE 1 (SPECIAL) TANGENT
- ⊙ LS LONG SPAN GUARDRAIL OVER CULVERT, 12 FOOT 6 INCH SPAN

SEC 12, T18N, R10E, 3RD PM

USE EROSION CONTROL BLANKET ON SLOPES 1:1.5 OR STEEPER
 RT STA 8+90.00 TO STA 9+45.00
 RT STA 10+48.00 TO STA 10+75.00
 LT STA 10+55.00 TO STA 10+99.00



CH 15

CONTROL POINT	STATION	COORDINATES	
		NORTHING	EASTING
POT	6+99.61	1226966.67	1073320.85
PC	7+96.40	1226965.52	1073417.64
PI	8+85.30	1226964.45	1073506.53
PT	9+74.14	1226957.86	1073595.18
POT	12+66.01	1226936.23	1073886.25

PR PIPE CULVERTS
 CL D, TY 1 18"x70'
 CONNECT USFL TO EX 18" PIPE CULVERT 660.71
 DSFL 26.3' RT STA 10+73.1 658.75

LOCATION NO. 55
 MAJOR COLLECTOR
 ADT 2200
 DESIGN SPEED 50 MPH



JOB = 2471.1	DESIGNED = CGF	REVISED =
FILE NAME = plan54815.dgn	DRAWN = SJS	REVISED =
PLOT SCALE = 48.8888' / 1" =	CHECKED = NAK	REVISED =
PLOT DATE = 7/30/2018	DATE = 3/23/2017	REVISED =

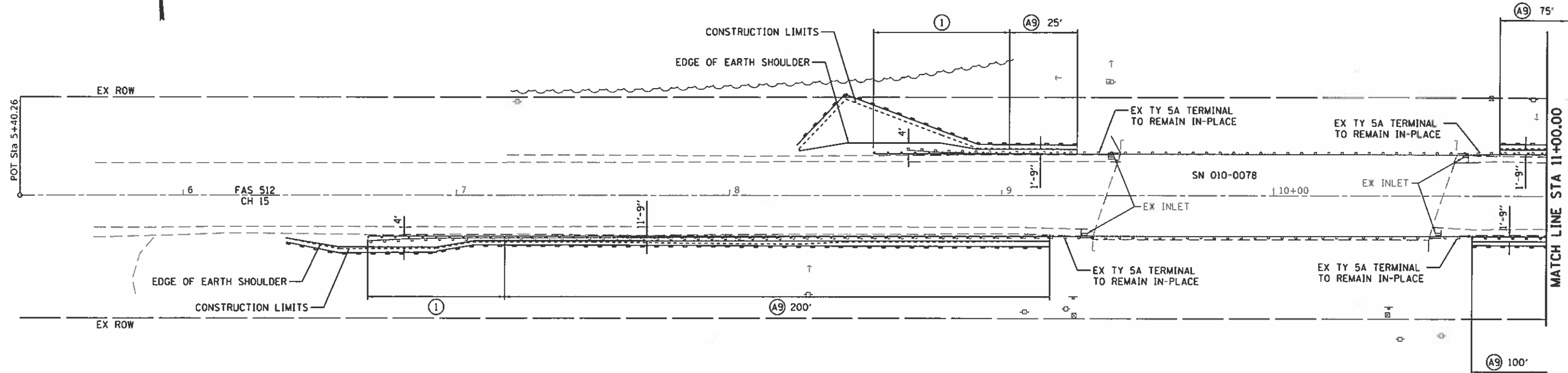
**CHAMPAIGN COUNTY
 GUARDRAIL IMPROVEMENTS**

PLAN

SCALE:	SHEET NO. OF SHEETS	STA. TO STA.
--------	---------------------	--------------

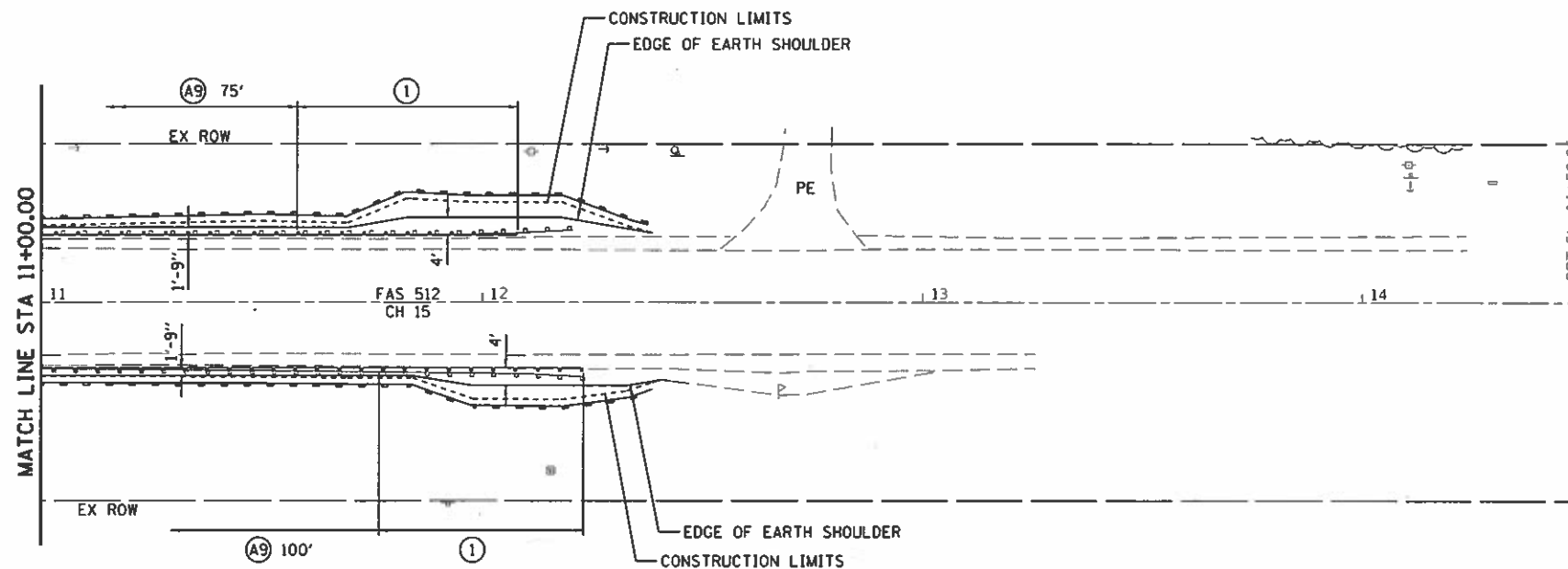
F.A. RTE.	SECTION	COUNTY	TOTAL SHEETS	SHEET NO.
	16-00444-00-SP	CHAMPAIGN	53	38
CONTRACT NO. 91550				
FED. ROAD DIST. NO. ILLINOIS FED. AID PROJECT				

SEC 8, T18N, R10E, 3RD PM



SEC 17, T18N, R10E, 3RD PM

SEC 8, T18N, R10E, 3RD PM



CH 15			
CONTROL POINT	STATION	COORDINATES	
		NORTHING	EASTING
POT	5+40.26	1223432.14	1061210.13
POT	14+50.06	1223395.18	1062119.18

LEGEND

- ◆ TEMPORARY DITCH CHECKS
- PERIMETER EROSION BARRIER
- ⊠ INLET AND PIPE PROTECTION
- Ⓐ6 STEEL PLATE BEAM GUARDRAIL, TYPE A, 6 FOOT POSTS
- Ⓐ9 STEEL PLATE BEAM GUARDRAIL, TYPE A, 9 FOOT POSTS
- Ⓐ2 TRAFFIC BARRIER TERMINAL, TYPE 2
- Ⓐ5A TRAFFIC BARRIER TERMINAL, TYPE 5A
- Ⓐ1 TRAFFIC BARRIER TERMINAL, TYPE 1 (SPECIAL) TANGENT
- ⒶS LONG SPAN GUARDRAIL OVER CULVERT, 12 FOOT 6 INCH SPAN

LOCATION NO. 56
 MAJOR COLLECTOR
 ADT 2200
 DESIGN SPEED 50 MPH

SEC 17, T18N, R10E, 3RD PM



JOB # 2471.1
 FILE NAME = plan56.dgn
 PLOT SCALE = 48.0000' / 1" =
 PLOT DATE = 7/30/2018

DESIGNED - CGF
 DRAWN - SJS
 CHECKED - NAK
 DATE = 3/23/2017

REVISED -
 REVISED -
 REVISED -
 REVISED -

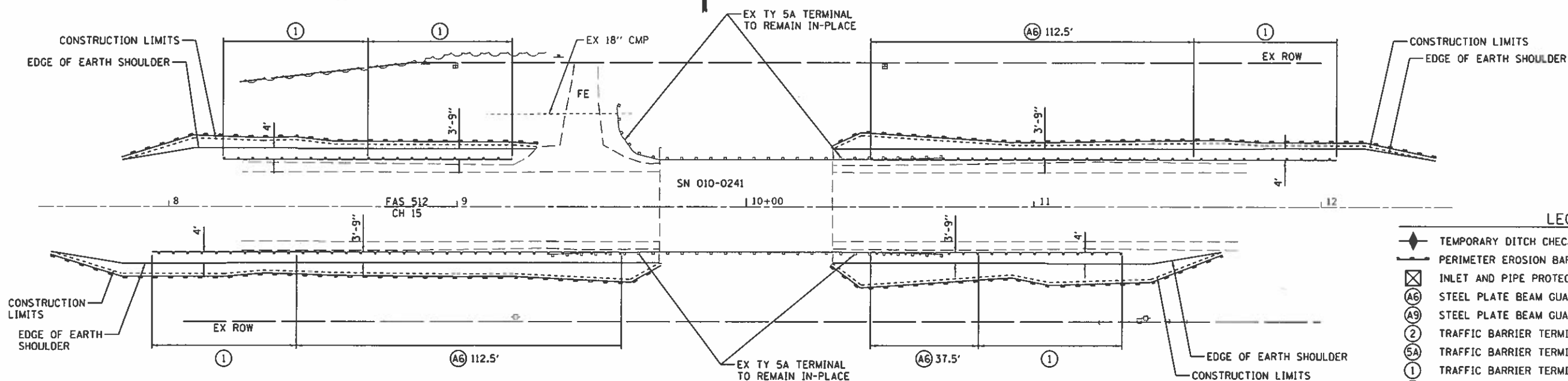
CHAMPAIGN COUNTY
 GUARDRAIL IMPROVEMENTS

PLAN

SCALE: SHEET NO. OF SHEETS STA. TO STA.

F.A. RTE.	SECTION	COUNTY	TOTAL SHEETS	SHEET NO.
	15-00444-00-SP	CHAMPAIGN	53	39
CONTRACT NO. 91550				
FED. ROAD DIST. NO. ILLINOIS FED. AID PROJECT				

SEC 8, T18N, R10E, 3RD PM



- LEGEND**
- ◆ TEMPORARY DITCH CHECKS
 - PERIMETER EROSION BARRIER
 - ⊠ INLET AND PIPE PROTECTION
 - ⊙ A6 STEEL PLATE BEAM GUARDRAIL, TYPE A, 6 FOOT POSTS
 - ⊙ A9 STEEL PLATE BEAM GUARDRAIL, TYPE A, 9 FOOT POSTS
 - ⊙ 1 TRAFFIC BARRIER TERMINAL, TYPE 2
 - ⊙ 5A TRAFFIC BARRIER TERMINAL, TYPE 5A
 - ⊙ 1 TRAFFIC BARRIER TERMINAL, TYPE 1 (SPECIAL) TANGENT
 - ⊙ LS LONG SPAN GUARDRAIL OVER CULVERT, 12 FOOT 6 INCH SPAN

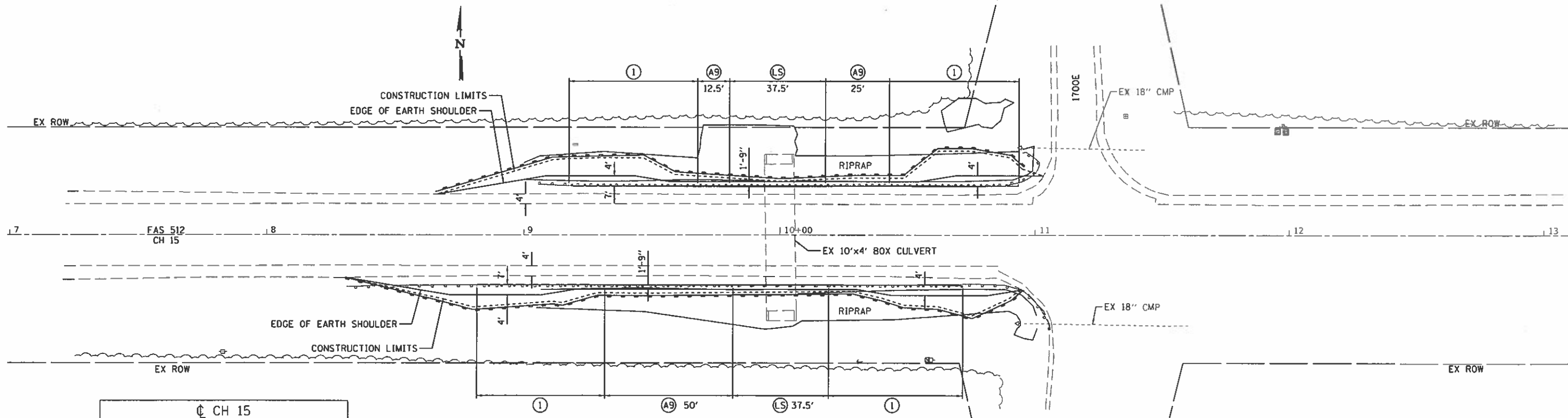
CH 15

CONTROL POINT	STATION	COORDINATES	
		NORTHING	EASTING
POT	7+55.00	1223452.51	1050497.30
POT	8+05.23	1223452.73	1050547.53
POT	12+00.13	1223454.48	1050942.42
POT	12+46.00	1223454.68	1050988.29

LOCATION NO. 57
MAJOR COLLECTOR
ADT 4700
DESIGN SPEED 50 MPH

SEC 17, T18N, R10E, 3RD PM

SEC 11, T18N, R9E, 3RD PM



CH 15

CONTROL POINT	STATION	COORDINATES	
		NORTHING	EASTING
POT	6+99.10	1223340.45	1037230.39
POT	13+38.72	1223350.77	1037869.92

LOCATION NO. 58
MAJOR COLLECTOR
ADT 3750
DESIGN SPEED 50 MPH

SEC 14, T18N, R9E, 3RD PM



JOB = 2471.1
FILE NAME = plan57158.dgn
PLOT SCALE = 40.0000' / in.
PLT DATE = 7/30/2018

DESIGNED - CCF
DRAWN - SJS
CHECKED - NAK
DATE = 3/23/2017

REVISED -
REVISED -
REVISED -
REVISED -

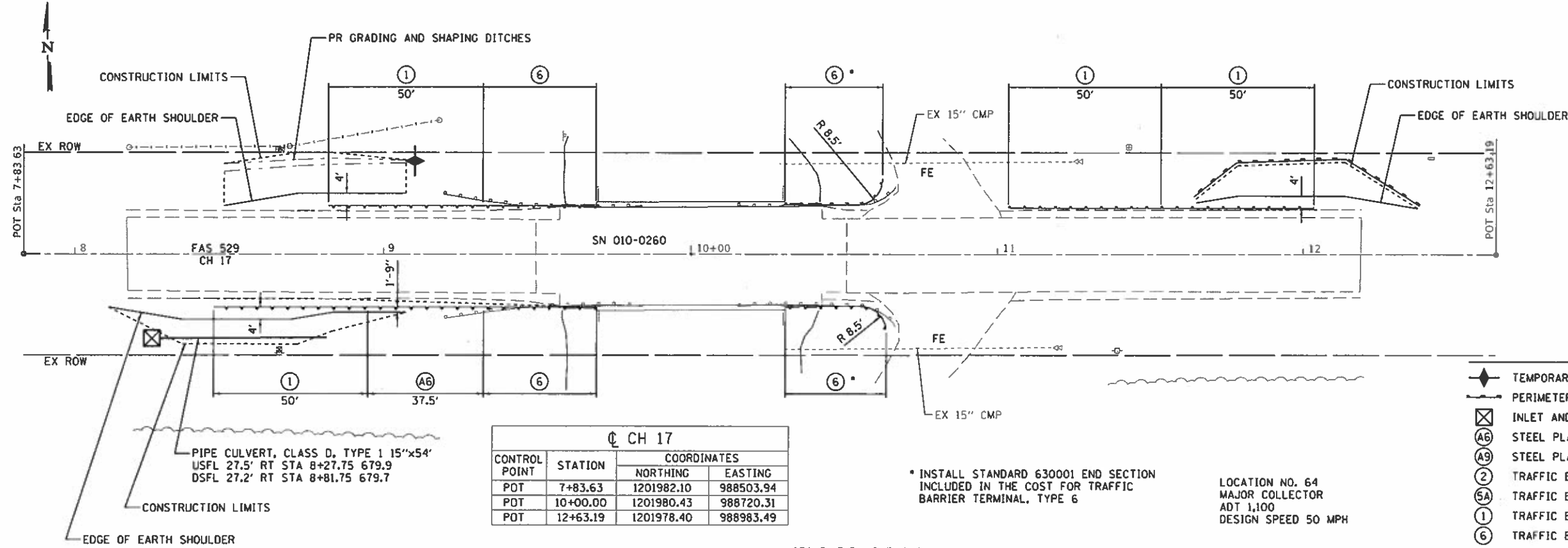
**CHAMPAIGN COUNTY
GUARDRAIL IMPROVEMENTS**

PLAN

SCALE: SHEET NO. OF SHEETS STA. TO STA.

F.A. RTE.	SECTION	COUNTY	TOTAL SHEETS	SHEET NO.
	16-00444-00-SP	CHAMPAIGN	53	40
CONTRACT NO. 91550				
FED. ROAD DIST. NO. [ILLINOIS] FED. AID PROJECT				

SEC 32, T18N, R8E, 3RD PM



CH 17

CONTROL POINT	STATION	COORDINATES	
		NORTHING	EASTING
POT	7+83.63	1201982.10	988503.94
POT	10+00.00	1201980.43	988720.31
POT	12+63.19	1201978.40	988983.49

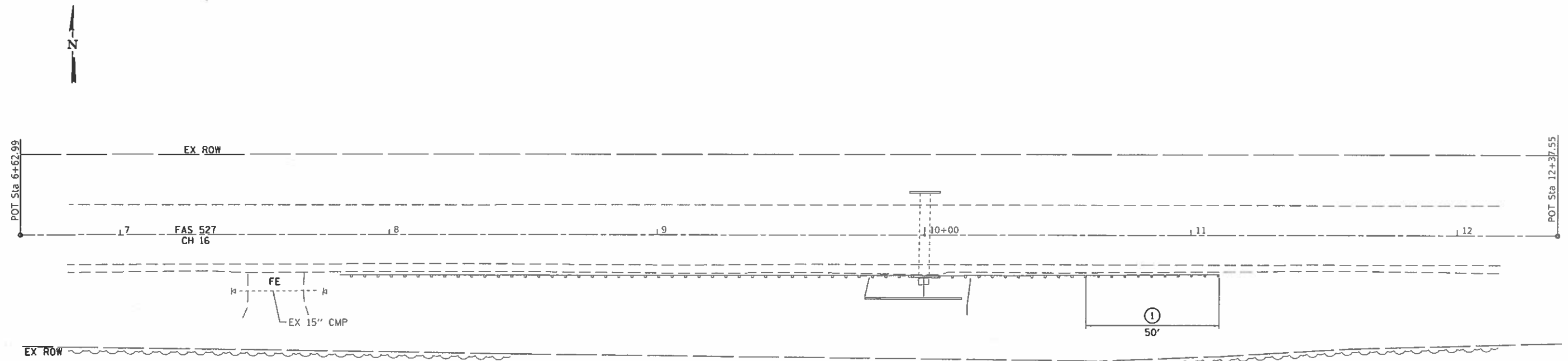
* INSTALL STANDARD 630001 END SECTION INCLUDED IN THE COST FOR TRAFFIC BARRIER TERMINAL, TYPE 6

LOCATION NO. 64
MAJOR COLLECTOR
ADT 1,100
DESIGN SPEED 50 MPH

- LEGEND
- ◆ TEMPORARY DITCH CHECKS
 - PERIMETER EROSION BARRIER
 - ⊗ INLET AND PIPE PROTECTION
 - Ⓐ STEEL PLATE BEAM GUARDRAIL, TYPE A, 6 FOOT POSTS
 - Ⓐ STEEL PLATE BEAM GUARDRAIL, TYPE A, 9 FOOT POSTS
 - ② TRAFFIC BARRIER TERMINAL, TYPE 2
 - ⑤A TRAFFIC BARRIER TERMINAL, TYPE 5A
 - ① TRAFFIC BARRIER TERMINAL, TYPE 1 (SPECIAL) TANGENT
 - ⑥ TRAFFIC BARRIER TERMINAL, TYPE 6

SEC 5, T17N, R8E, 3RD PM

SEC 22, T17N, R9E, 3RD PM



CH 16

CONTROL POINT	STATION	COORDINATES	
		NORTHING	EASTING
POT	6+62.99	1180752.30	1027702.33
POT	10+00.00	1180757.50	1028039.30
POT	12+37.55	1180761.17	1028276.82

LOCATION NO. 60
MAJOR COLLECTOR
ADT 700
DESIGN SPEED 50 MPH

SEC 27, T17N, R9E, 3RD PM



JOB = 2471.1
FILE NAME = plan68&64.dgn
PLOT SCALE = 48,0000' / in.
PLOT DATE = 7/30/2018

DESIGNED - NAK
DRAWN - SJS
CHECKED - NAK
DATE - 3/23/2017

REVISED -
REVISED -
REVISED -
REVISED -

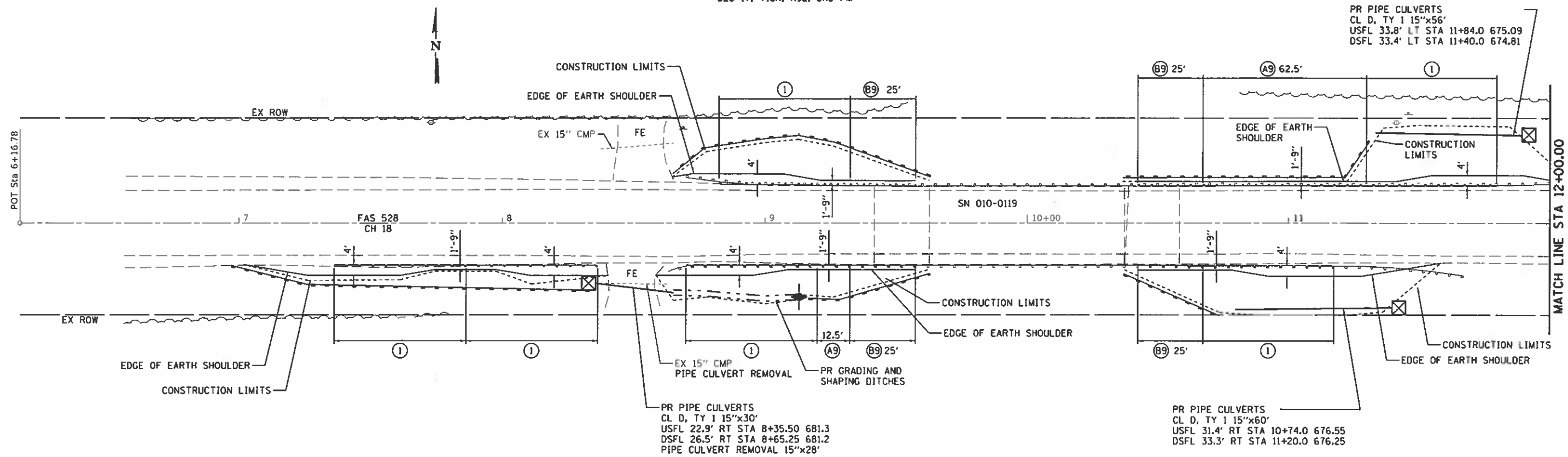
CHAMPAIGN COUNTY
GUARDRAIL IMPROVEMENTS

PLAN

SCALE: SHEET NO. OF SHEETS STA. TO STA.

F.A. RTE.	SECTION	COUNTY	TOTAL SHEETS	SHEET NO.
	16-00444-00-SP	CHAMPAIGN	53	41
CONTRACT NO. 91550				
FED. ROAD DIST. NO. ILLINOIS FED. AID PROJECT				

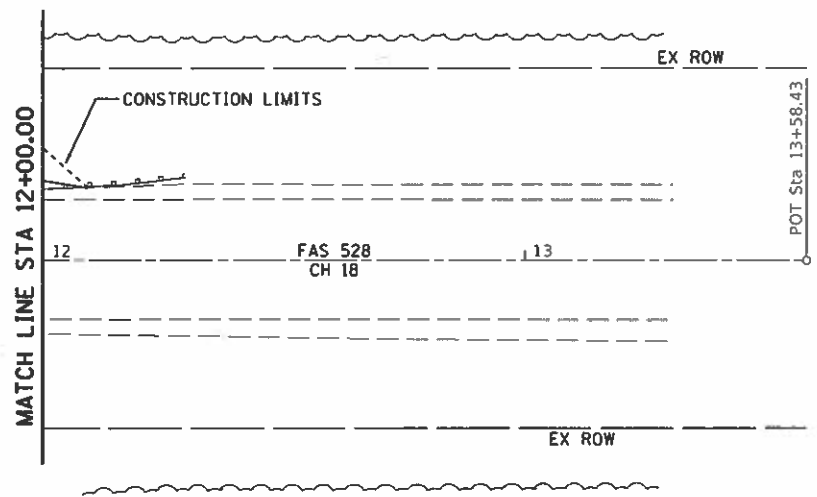
SEC 17, T18N, R9E, 3RD PM



PR PIPE CULVERTS
CL D, TY 1 15"x56'
USFL 33.8' LT STA 11+84.0 675.09
DSFL 33.4' LT STA 11+40.0 674.81

SEC 20, T18N, R9E, 3RD PM

SEC 17, T18N, R9E, 3RD PM



CH 18			
CONTROL POINT	STATION	COORDINATES	
		NORTHING	EASTING
POT	6+16.78	1217798.10	1017033.60
POT	13+58.43	1217804.80	1017775.23

LEGEND

- ◆ TEMPORARY DITCH CHECKS
- PERIMETER EROSION BARRIER
- ⊗ INLET AND PIPE PROTECTION
- ⓐ6 STEEL PLATE BEAM GUARDRAIL, TYPE A, 6 FOOT POSTS
- ⓐ9 STEEL PLATE BEAM GUARDRAIL, TYPE A, 9 FOOT POSTS
- ⓐ9 STEEL PLATE BEAM GUARDRAIL, TYPE B, 9 FOOT POSTS
- ⓐ2 TRAFFIC BARRIER TERMINAL, TYPE 2
- ⓐ5A TRAFFIC BARRIER TERMINAL, TYPE 5A
- ⓐ1 TRAFFIC BARRIER TERMINAL, TYPE 1 (SPECIAL) TANGENT
- ⓐS LONG SPAN GUARDRAIL OVER CULVERT, 12 FOOT 6 INCH SPAN

LOCATION NO. 65
MAJOR COLLECTOR
ADT 3150
DESIGN SPEED 50 MPH

SEC 20, T18N, R9E, 3RD PM



JOB = 2471.1	DESIGNED = CCF	REVISED =
FILE NAME = plan65&66.dgn	DRAWN = SJS	REVISED =
PLOT SCALE = 48.0000' / 1" =	CHECKED = NAK	REVISED =
PLOT DATE = 7/30/2018	DATE = 3/23/2017	REVISED =

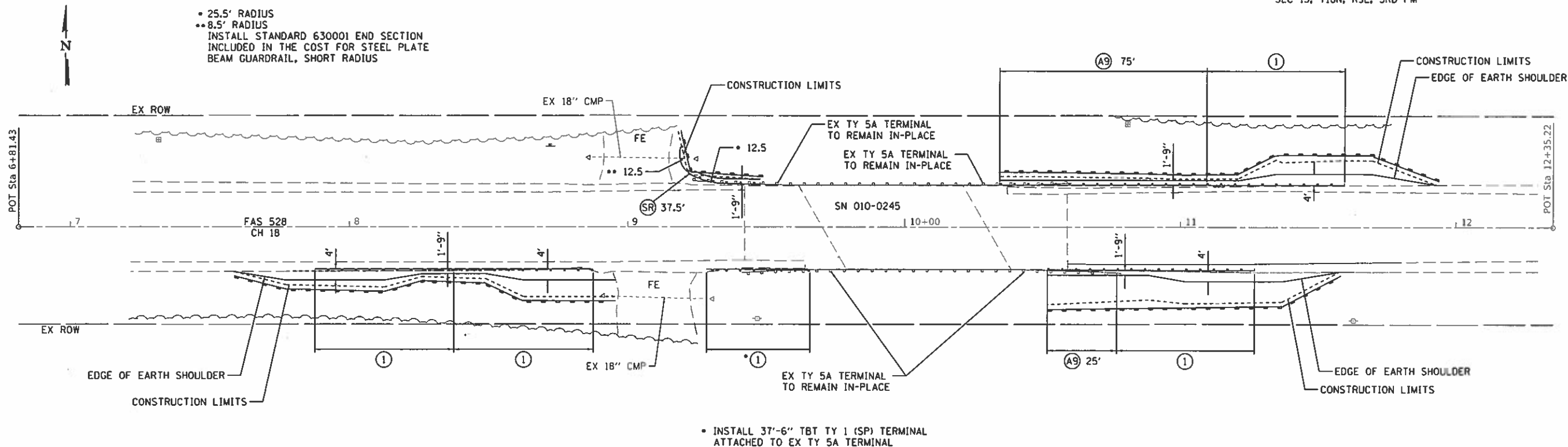
CHAMPAIGN COUNTY
GUARDRAIL IMPROVEMENTS

PLAN

SCALE: SHEET NO. OF SHEETS STA. TO STA.

F.A. RTE.	SECTION	COUNTY	TOTAL SHEETS	SHEET NO.
	16-00444-00-SP	CHAMPAIGN	53	42
CONTRACT NO. 91550				
FED. ROAD DIST. NO. [ILLINOIS] FED. AID PROJECT				

- 25.5' RADIUS
- 8.5' RADIUS
- INSTALL STANDARD 630001 END SECTION INCLUDED IN THE COST FOR STEEL PLATE BEAM GUARDRAIL, SHORT RADIUS

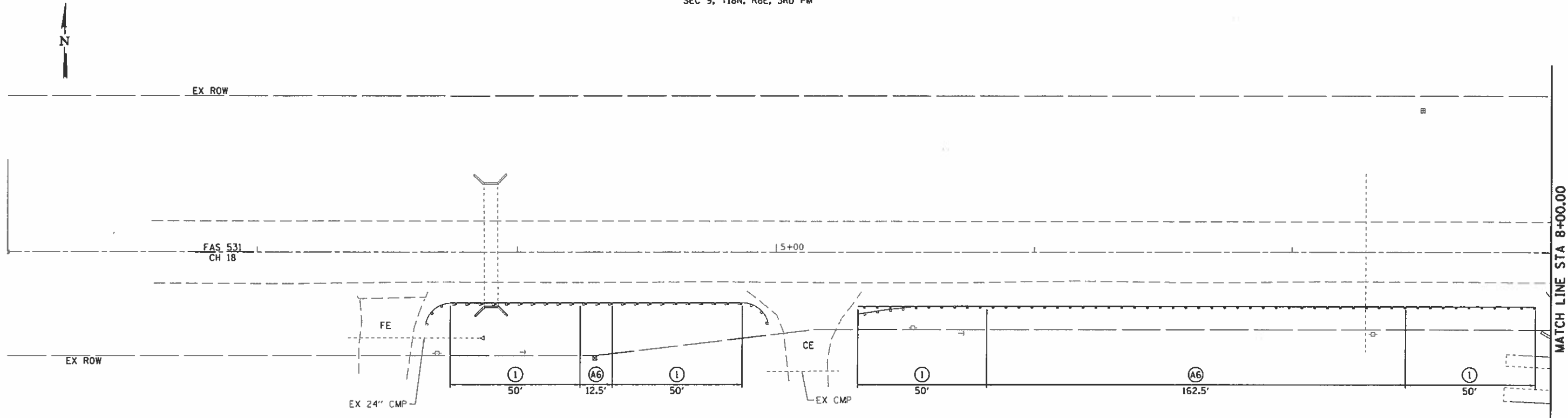


LEGEND

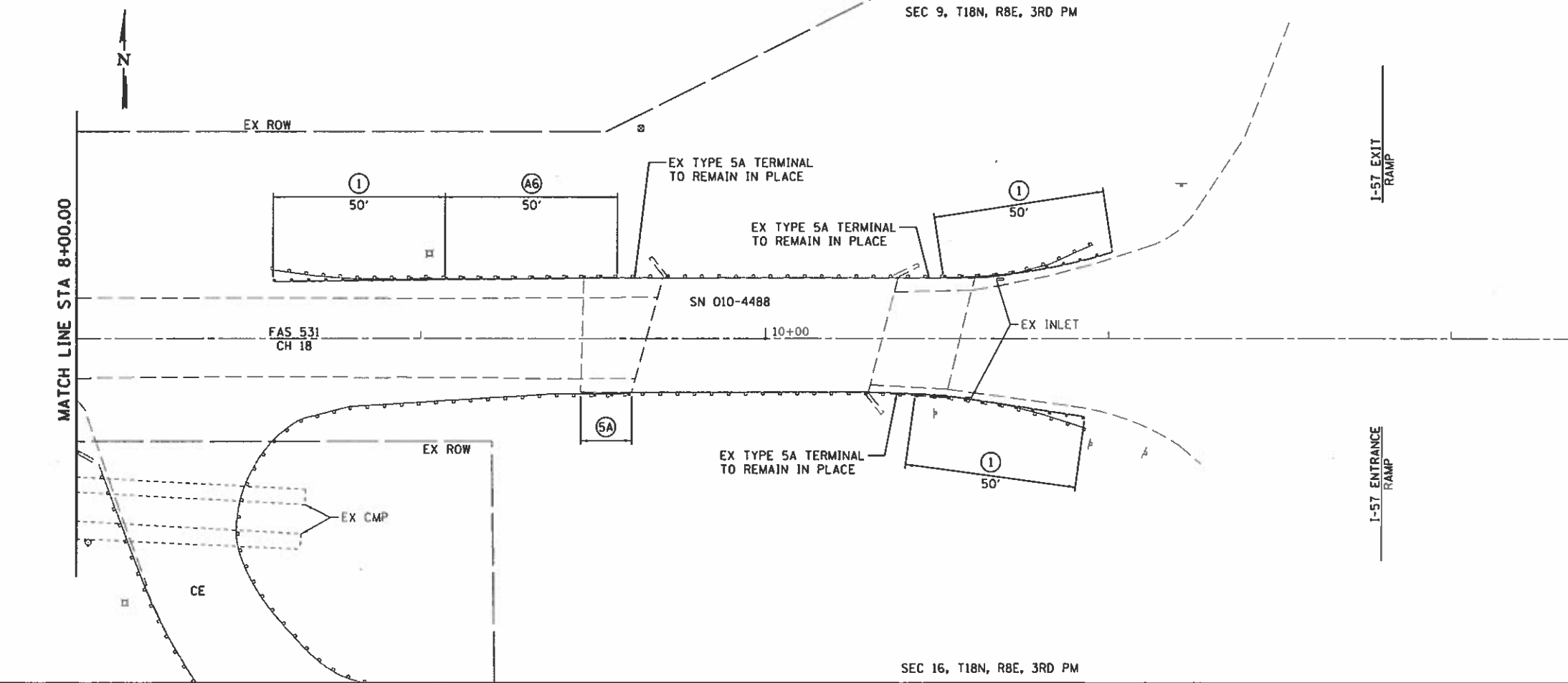
- ◆ TEMPORARY DITCH CHECKS
- PERIMETER EROSION BARRIER
- ⊗ INLET AND PIPE PROTECTION
- ⓐ6 STEEL PLATE BEAM GUARDRAIL, TYPE A, 6 FOOT POSTS
- ⓐ9 STEEL PLATE BEAM GUARDRAIL, TYPE A, 9 FOOT POSTS
- ② TRAFFIC BARRIER TERMINAL, TYPE 2
- ⓐ5A TRAFFIC BARRIER TERMINAL, TYPE 5A
- ① TRAFFIC BARRIER TERMINAL, TYPE 1 (SPECIAL) TANGENT
- ⓐLS LONG SPAN GUARDRAIL OVER CULVERT, 12 FOOT 6 INCH SPAN
- ⓐSR STEEL PLATE BEAM GUARDRAIL, SHORT RADIUS

CH 18			
CONTROL POINT	STATION	COORDINATES	
		NORTHING	EASTING
POT	6+81.43	1217898.87	1026082.52
POT	12+35.22	1217906.57	1026636.25

LOCATION NO. 66
 MAJOR COLLECTOR
 ADT 2900
 DESIGN SPEED 50 MPH



MATCH LINE STA 8+00.00



MATCH LINE STA 8+00.00

LEGEND

- ◆ TEMPORARY DITCH CHECKS
- ▬ PERIMETER EROSION BARRIER
- ⊠ INLET AND PIPE PROTECTION
- ⊙ A6 STEEL PLATE BEAM GUARDRAIL, TYPE A, 6 FOOT POSTS
- ⊙ A9 STEEL PLATE BEAM GUARDRAIL, TYPE A, 9 FOOT POSTS
- ⊙ 2 TRAFFIC BARRIER TERMINAL, TYPE 2
- ⊙ 5A TRAFFIC BARRIER TERMINAL, TYPE 5A
- ⊙ 1 TRAFFIC BARRIER TERMINAL, TYPE 1 (SPECIAL) TANGENT

CH 18			
CONTROL POINT	STATION	COORDINATES	
		NORTHING	EASTING
POT	2+03.59	1223176.23	990822.66
POT	10+00.00	1223167.09	991619.01
POT	12+51.72	1223164.21	991870.72

LOCATION NO. 67
 MAJOR COLLECTOR
 ADT 2,900
 DESIGN SPEED 50 MPH



JOB - 2471.1
 FILE NAME - plan67.dgn
 PLOT SCALE - 40.0000' / 1" =
 PLOT DATE - 7/30/2018

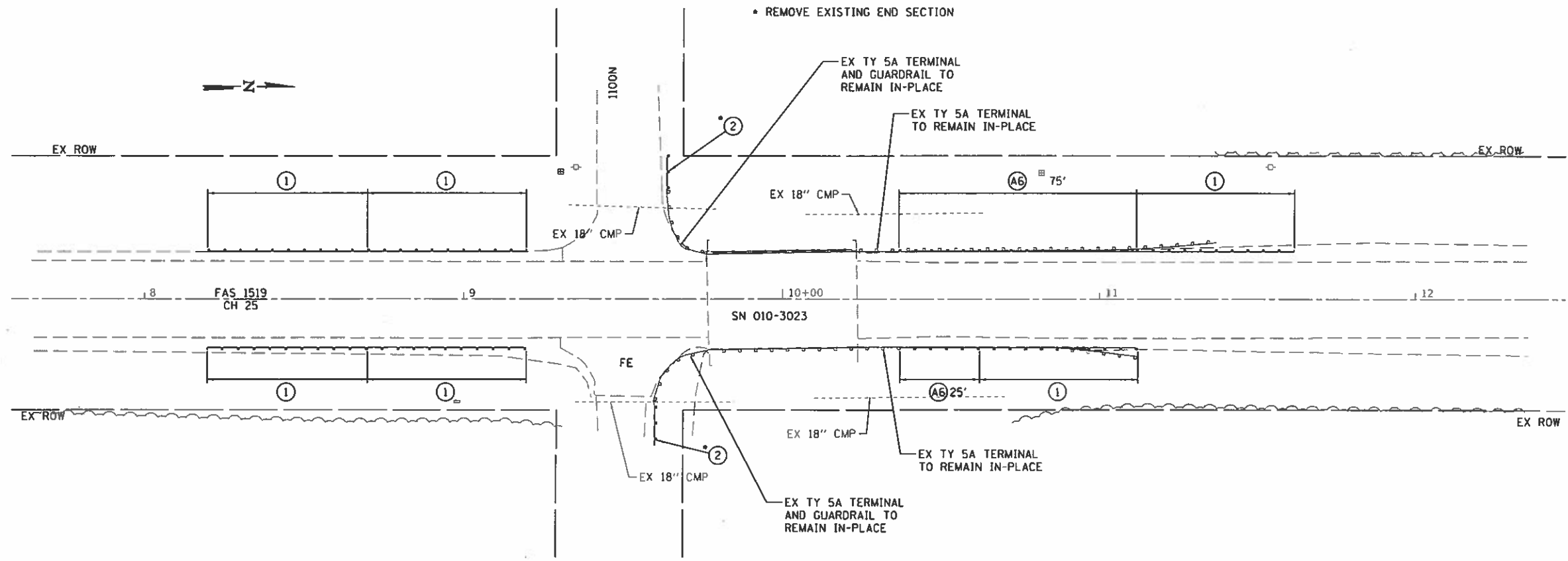
DESIGNED - NAK
 DRAWN - SJS
 CHECKED - NAK
 DATE - 3/23/2017

REVISED -
 REVISED -
 REVISED -
 REVISED -

CHAMPAIGN COUNTY
 GUARDRAIL IMPROVEMENTS

PLAN

SCALE:	SHEET NO. OF SHEETS	STA. TO STA.	F.A. RTE.	SECTION	COUNTY	TOTAL SHEETS	SHEET NO.
				16-00444-00-SP	CHAMPAIGN	53	44
			FED. ROAD DIST. NO.		ILLINOIS FED. AID PROJECT		
			CONTRACT NO. 91550				



CH 25

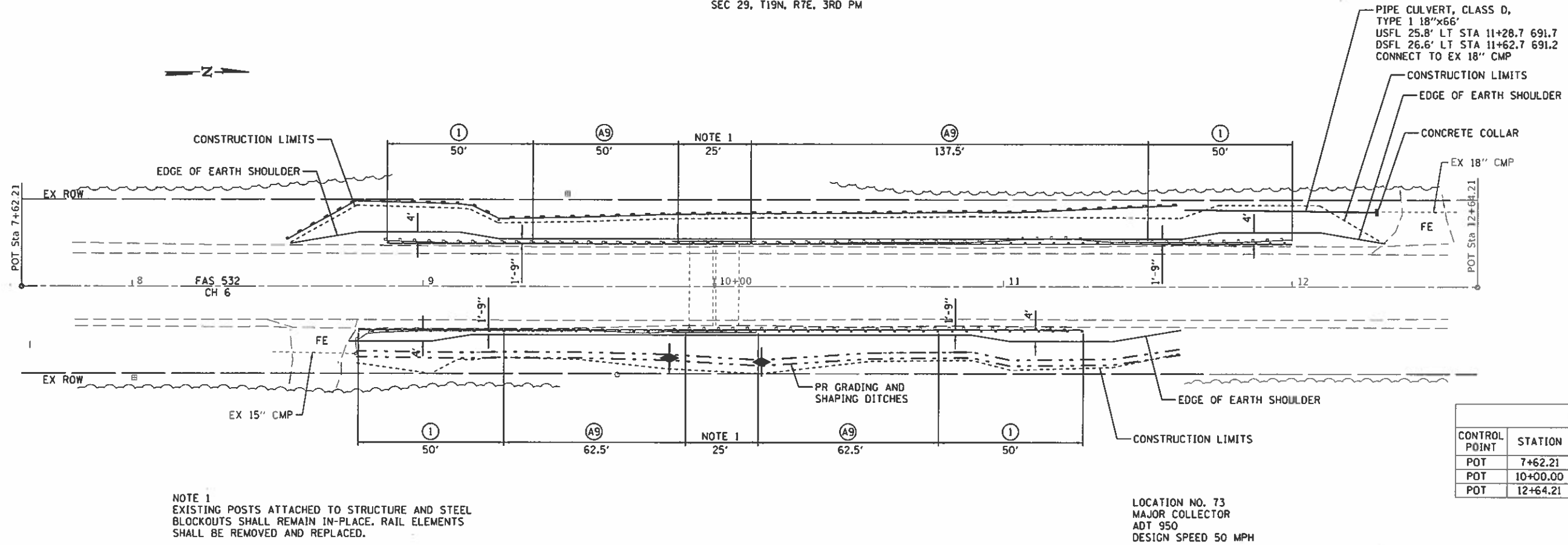
CONTROL POINT	STATION	COORDINATES	
		NORTH	EAST
POT	7+58.31	1228301.11	989759.15
POT	12+47.62	1228790.37	989752.98

LEGEND

- ◆ TEMPORARY DITCH CHECKS
- PERIMETER EROSION BARRIER
- ⊗ INLET AND PIPE PROTECTION
- Ⓐ STEEL PLATE BEAM GUARDRAIL, TYPE A, 6 FOOT POSTS
- Ⓐ STEEL PLATE BEAM GUARDRAIL, TYPE A, 9 FOOT POSTS
- ② TRAFFIC BARRIER TERMINAL, TYPE 2
- ⑤A TRAFFIC BARRIER TERMINAL, TYPE 5A
- ① TRAFFIC BARRIER TERMINAL, TYPE 1 (SPECIAL) TANGENT
- ⓁS LONG SPAN GUARDRAIL OVER CULVERT, 12 FOOT 6 INCH SPAN

LOCATION NO. 68
 MAJOR COLLECTOR
 ADT 1250
 DESIGN SPEED 50 MPH

SEC 29, T19N, R7E, 3RD PM



CH 6

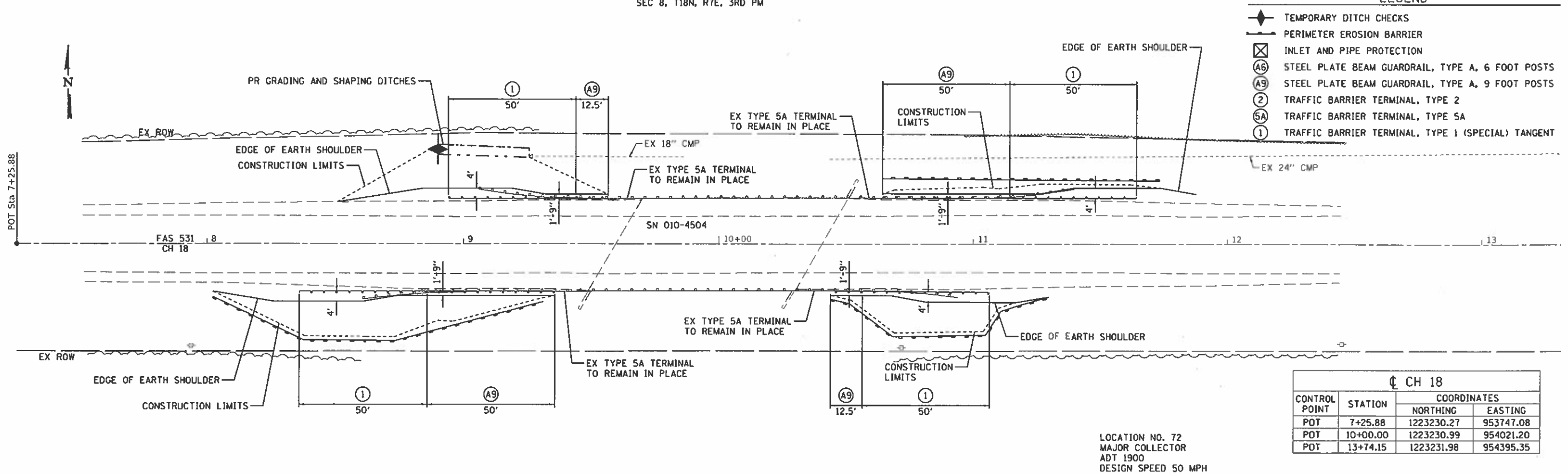
CONTROL POINT	STATION	COORDINATES	
		NORTHING	EASTING
POT	7+62.21	1250295.95	958195.91
POT	10+00.00	1250533.74	958194.71
POT	12+64.21	1250797.95	958193.37

NOTE 1
EXISTING POSTS ATTACHED TO STRUCTURE AND STEEL BLOCKOUTS SHALL REMAIN IN-PLACE. RAIL ELEMENTS SHALL BE REMOVED AND REPLACED.

LOCATION NO. 73
MAJOR COLLECTOR
ADT 950
DESIGN SPEED 50 MPH

SEC 28, T19N, R7E, 3RD PM

SEC 8, T18N, R7E, 3RD PM



LEGEND

- ◆ TEMPORARY DITCH CHECKS
- PERIMETER EROSION BARRIER
- ⊗ INLET AND PIPE PROTECTION
- (A6) STEEL PLATE BEAM GUARDRAIL, TYPE A, 6 FOOT POSTS
- (A9) STEEL PLATE BEAM GUARDRAIL, TYPE A, 9 FOOT POSTS
- (2) TRAFFIC BARRIER TERMINAL, TYPE 2
- (5A) TRAFFIC BARRIER TERMINAL, TYPE 5A
- (1) TRAFFIC BARRIER TERMINAL, TYPE 1 (SPECIAL) TANGENT

CH 18

CONTROL POINT	STATION	COORDINATES	
		NORTHING	EASTING
POT	7+25.88	1223230.27	953747.08
POT	10+00.00	1223230.99	954021.20
POT	13+74.15	1223231.98	954395.35

LOCATION NO. 72
MAJOR COLLECTOR
ADT 1900
DESIGN SPEED 50 MPH

SEC 17, T18N, R7E, 3RD PM



JOB = 2471.1
FILE NAME = plan72673_restored.dgn
PLOT SCALE = 48.0000' / 1" =
PLOT DATE = 7/30/2018

DESIGNED - NAK
DRAWN - SJS
CHECKED - NAK
DATE = 3/23/2017

REVISED -
REVISED -
REVISED -
REVISED -

CHAMPAIGN COUNTY
GUARDRAIL IMPROVEMENTS

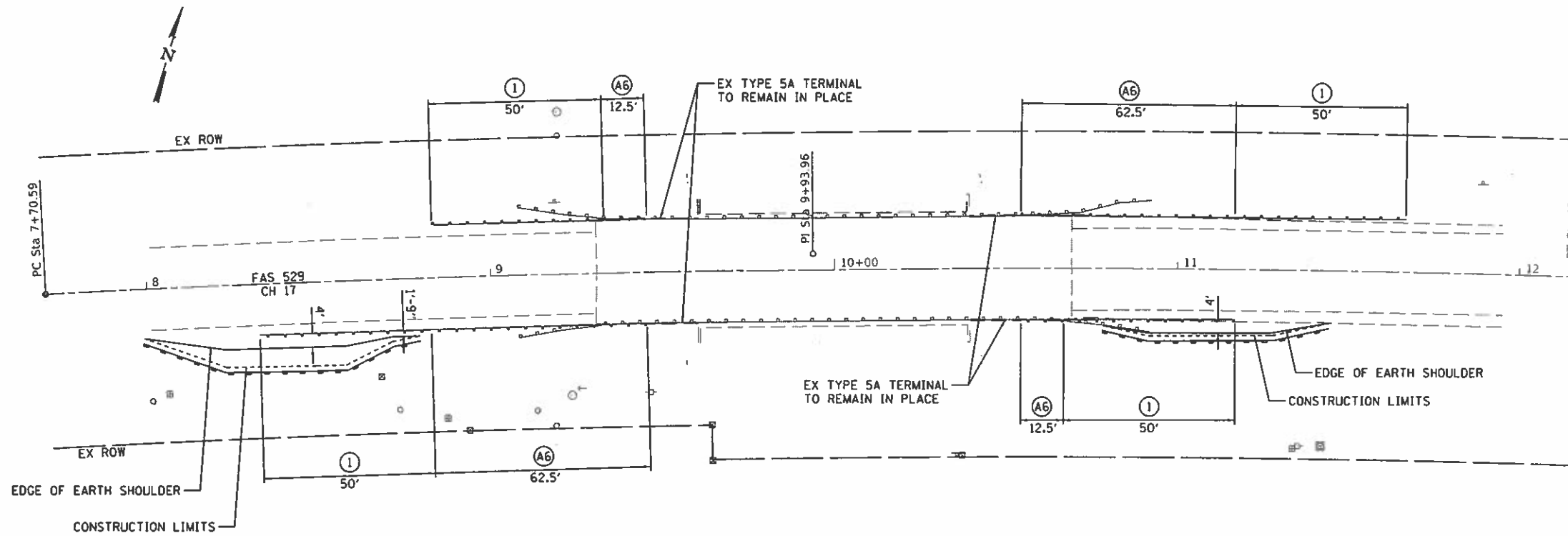
PLAN

SCALE: SHEET NO. OF SHEETS STA. TO STA.

F.A. RTE.	SECTION	COUNTY	TOTAL SHEETS	SHEET NO.
	16-00444-00-5P	CHAMPAIGN	53	46
CONTRACT NO. 91560				
FED. ROAD DIST. NO. [ILLINOIS] FED. AID PROJECT				

LEGEND

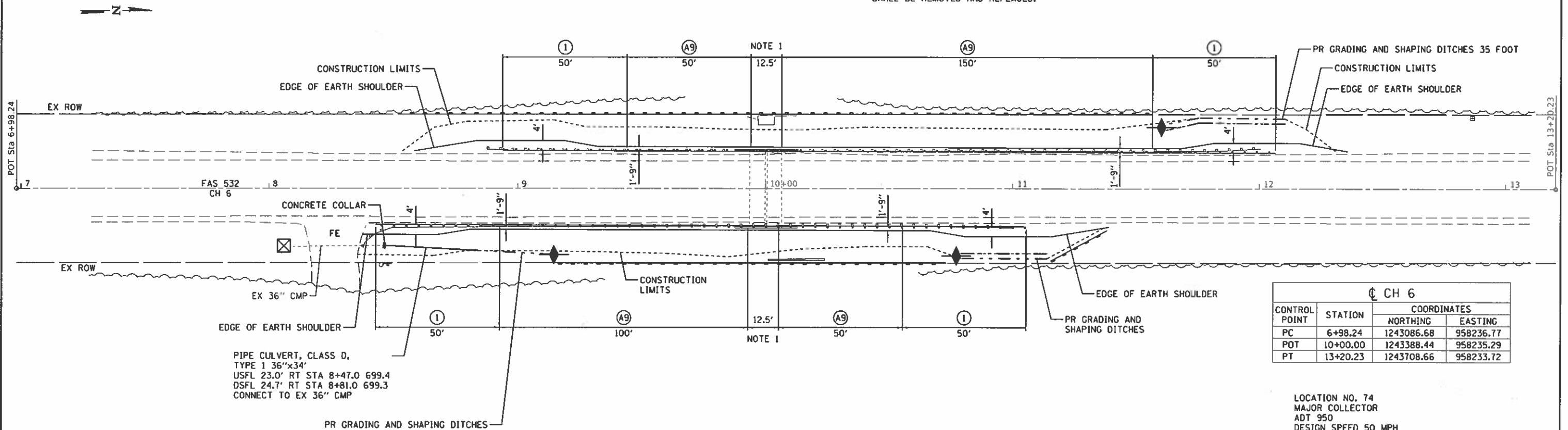
- ◆ TEMPORARY DITCH CHECKS
- ▬ PERIMETER EROSION BARRIER
- ⊗ INLET AND PIPE PROTECTION
- ⊙ A6 STEEL PLATE BEAM GUARDRAIL, TYPE A, 6 FOOT POSTS
- ⊙ A9 STEEL PLATE BEAM GUARDRAIL, TYPE A, 9 FOOT POSTS
- ⊙ 2 TRAFFIC BARRIER TERMINAL, TYPE 2
- ⊙ 5A TRAFFIC BARRIER TERMINAL, TYPE 5A
- ⊙ 1 TRAFFIC BARRIER TERMINAL, TYPE 1 (SPECIAL) TANGENT



CH 17			
CONTROL POINT	STATION	COORDINATES	
		NORTHING	EASTING
PC	7+70.59	1194220.98	950664.43
POT	10+00.00	1194220.98	950664.43
PT	12+17.06	1194356.32	951089.75

LOCATION NO. 76
MAJOR COLLECTOR
ADT 1300
DESIGN SPEED 50 MPH

NOTE 1
EXISTING POSTS ATTACHED TO STRUCTURE AND STEEL BLOCKOUTS SHALL REMAIN IN-PLACE. RAIL ELEMENTS SHALL BE REMOVED AND REPLACED.



CH 6			
CONTROL POINT	STATION	COORDINATES	
		NORTHING	EASTING
PC	6+98.24	1243086.68	958236.77
POT	10+00.00	1243388.44	958235.29
PT	13+20.23	1243708.66	958233.72

LOCATION NO. 74
MAJOR COLLECTOR
ADT 950
DESIGN SPEED 50 MPH

CHAMPAIGN COUNTY
GUARDRAIL IMPROVEMENTS

PLAN



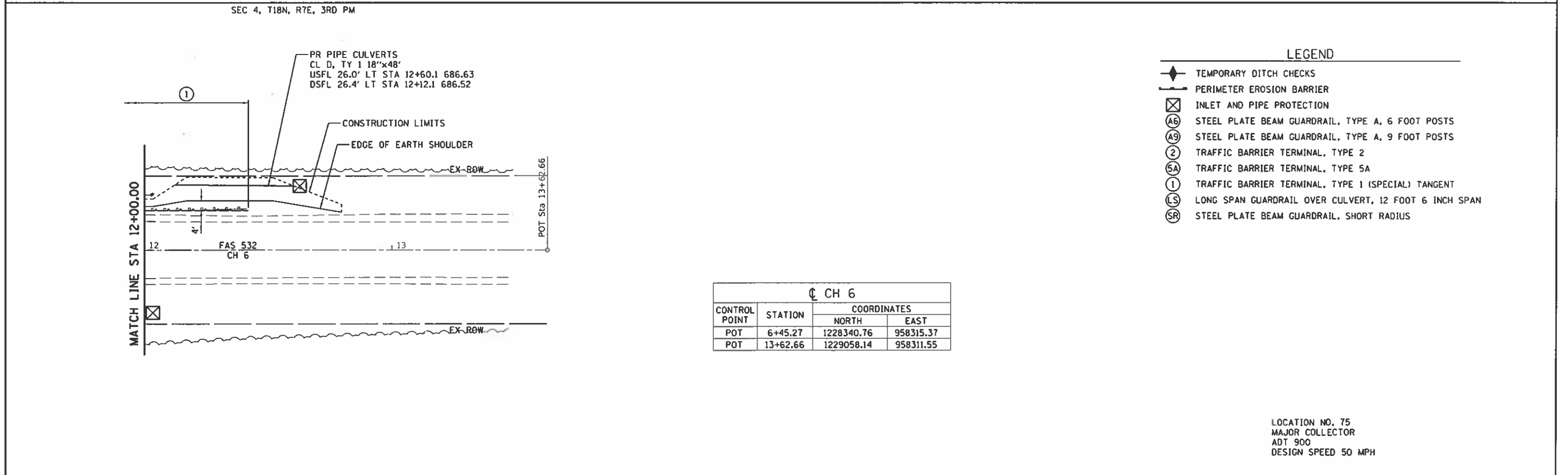
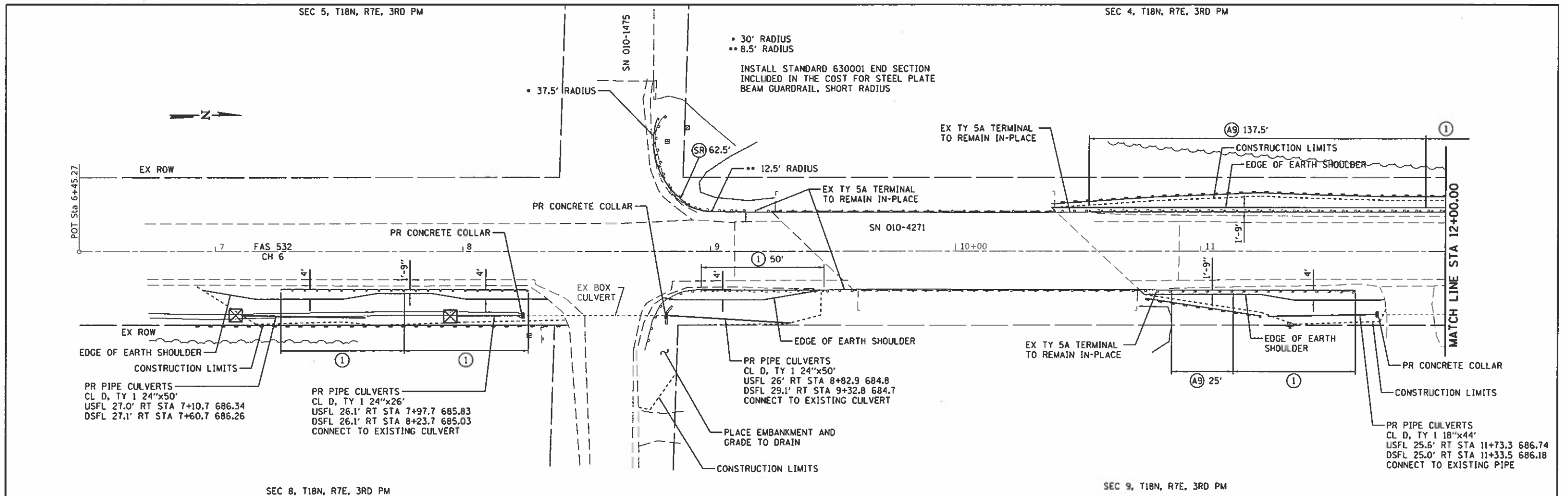
JOB = 2471.1
FILE NAME = plan74&76.dgn
PLOT SCALE = 48,0000 / 1" = 100'
PLOT DATE = 7/30/2018

DESIGNED - NAK
DRAWN - SJS
CHECKED - NAK
DATE - 3/23/2017

REVISED -
REVISED -
REVISED -
REVISED -

SCALE: SHEET NO. OF SHEETS STA. TO STA.

F.A. RTE.	SECTION	COUNTY	TOTAL SHEETS	SHEET NO.
	16-00444-00-SP	CHAMPAIGN	53	47
CONTRACT NO. 91550				
FED. ROAD DIST. NO. [ILLINOIS] FED. AID PROJECT				



- LEGEND**
- ◆ TEMPORARY DITCH CHECKS
 - PERIMETER EROSION BARRIER
 - ⊗ INLET AND PIPE PROTECTION
 - (A6) STEEL PLATE BEAM GUARDRAIL, TYPE A, 6 FOOT POSTS
 - (A9) STEEL PLATE BEAM GUARDRAIL, TYPE A, 9 FOOT POSTS
 - (2) TRAFFIC BARRIER TERMINAL, TYPE 2
 - (5A) TRAFFIC BARRIER TERMINAL, TYPE 5A
 - (1) TRAFFIC BARRIER TERMINAL, TYPE 1 (SPECIAL) TANGENT
 - (LS) LONG SPAN GUARDRAIL OVER CULVERT, 12 FOOT 6 INCH SPAN
 - (SR) STEEL PLATE BEAM GUARDRAIL, SHORT RADIUS

CH 6

CONTROL POINT	STATION	COORDINATES	
		NORTH	EAST
POT	6+45.27	1228340.76	958315.37
POT	13+62.66	1229058.14	958311.55

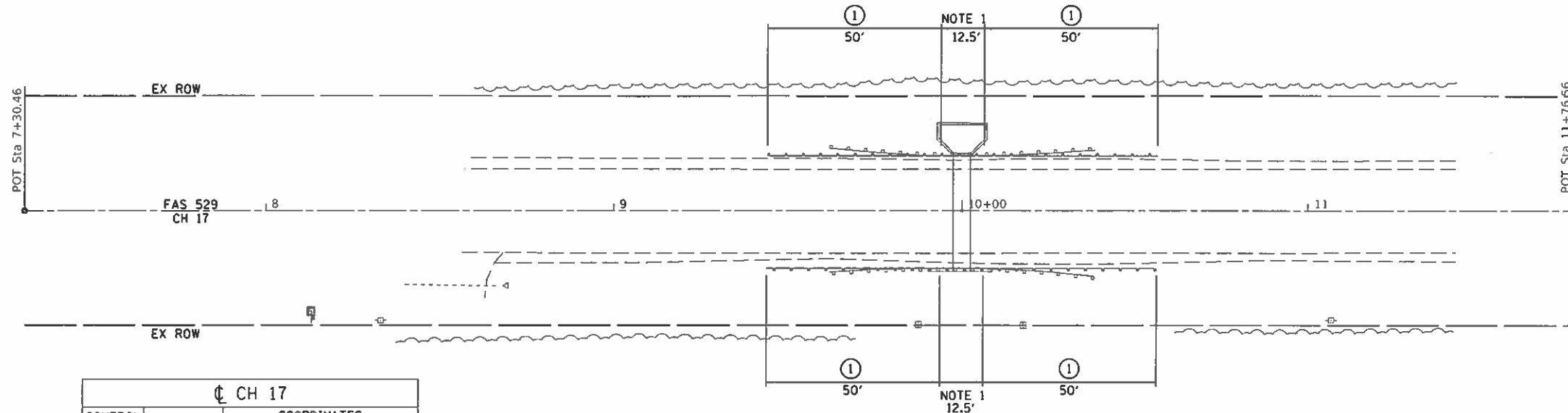
LOCATION NO. 75
 MAJOR COLLECTOR
 ADT 900
 DESIGN SPEED 50 MPH

SEC 2, T17N, R7E, 3RD PM

LEGEND

- ◆ TEMPORARY DITCH CHECKS
- ⊠ PERIMETER EROSION BARRIER
- ⊠ INLET AND PIPE PROTECTION
- ⊙ A6 STEEL PLATE BEAM GUARDRAIL, TYPE A, 6 FOOT POSTS
- ⊙ A9 STEEL PLATE BEAM GUARDRAIL, TYPE A, 9 FOOT POSTS
- ⊙ 2 TRAFFIC BARRIER TERMINAL, TYPE 2
- ⊙ 5A TRAFFIC BARRIER TERMINAL, TYPE 5A
- ⊙ 1 TRAFFIC BARRIER TERMINAL, TYPE 1 (SPECIAL) TANGENT
- ⊙ LS LONG SPAN GUARDRAIL OVER CULVERT, 12 FOOT 6 INCH SPAN
- ⊙ SR STEEL PLATE BEAM GUARDRAIL, SHORT RADIUS

NOTE 1
GUARDRAIL POSTS ATTACHED TO STRUCTURE AND 6" STEEL BLOCKOUTS SHALL REMAIN IN-PLACE. RAIL ELEMENTS SHALL BE REMOVED AND REPLACED.



CH 17

CONTROL POINT	STATION	COORDINATES	
		NORTHING	EASTING
POT	7+30.46	1196651.86	972176.29
POT	10+00.00	1196648.49	972445.80
POT	11+76.56	1196646.28	972622.36

LOCATION NO. 78
MAJOR COLLECTOR
ADT 650
DESIGN SPEED 50 MPH

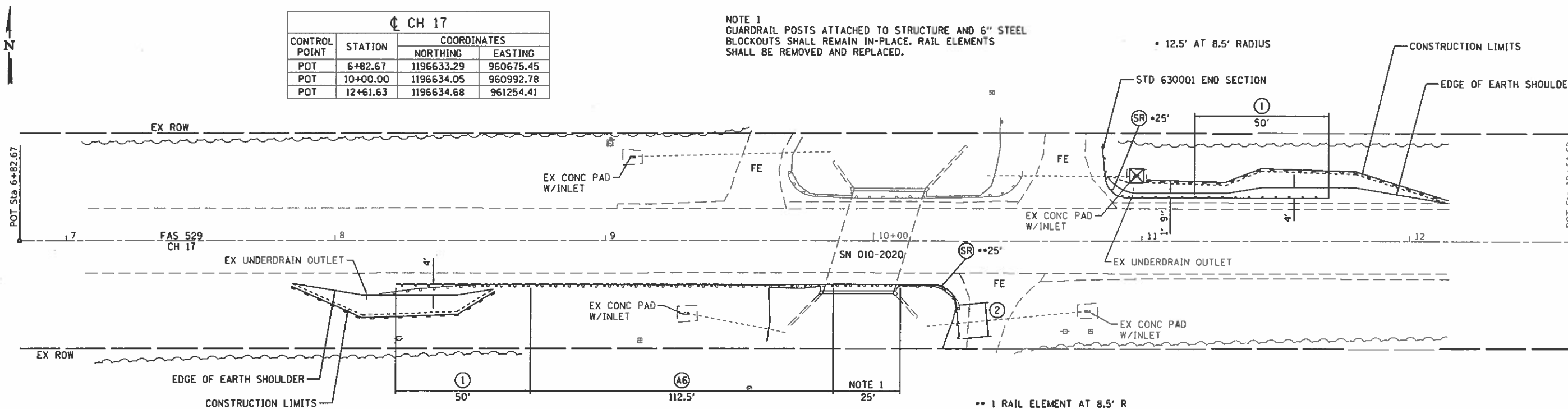
SEC 11, T17N, R7E, 3RD PM

SEC 4, T17N, R7E, 3RD PM

NOTE 1
GUARDRAIL POSTS ATTACHED TO STRUCTURE AND 6" STEEL BLOCKOUTS SHALL REMAIN IN-PLACE. RAIL ELEMENTS SHALL BE REMOVED AND REPLACED.

CH 17

CONTROL POINT	STATION	COORDINATES	
		NORTHING	EASTING
POT	6+82.67	1196633.29	960675.45
POT	10+00.00	1196634.05	960992.78
POT	12+61.63	1196634.68	961254.41



LOCATION NO. 77
MAJOR COLLECTOR
ADT 600
DESIGN SPEED 50 MPH

SEC 9, T17N, R7E, 3RD PM

CHAMPAIGN COUNTY
GUARDRAIL IMPROVEMENTS

PLAN



JOB = 2471.1
FILE NAME = plan77&78.dgn
PLOT SCALE = 48.0000' / in.
PLOT DATE = 7/30/2018

DESIGNED - NAK
DRAWN - SJS
CHECKED - NAK
DATE - 3/23/2017

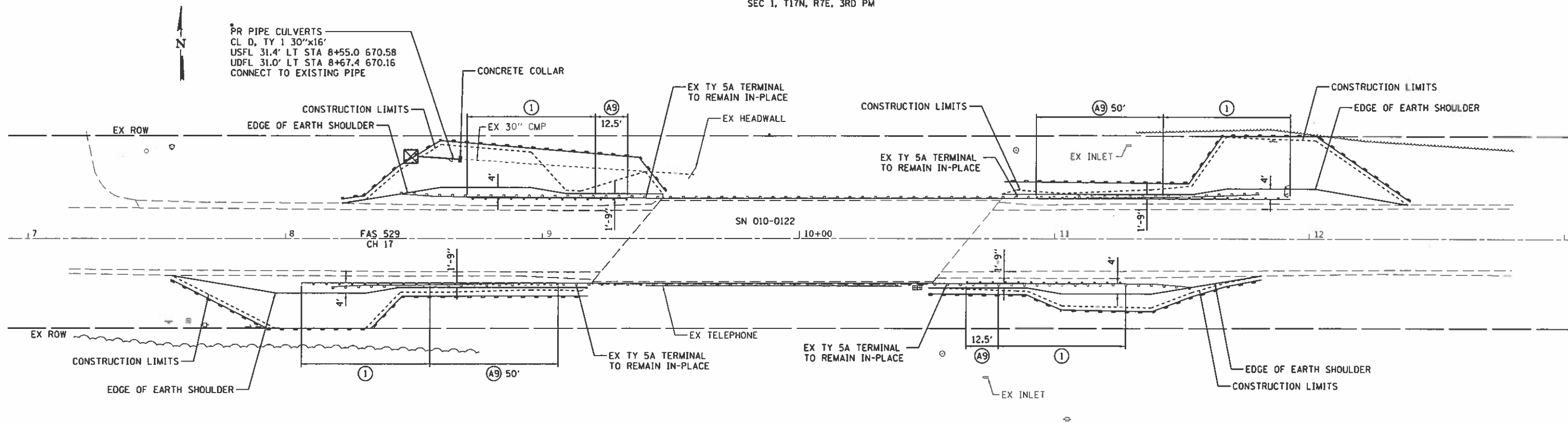
REVISED -
REVISED -
REVISED -
REVISED -

SCALE: SHEET NO. OF SHEETS STA. TO STA.

F.A. RTE.	SECTION	COUNTY	TOTAL SHEETS	SHEET NO.
	16-00444-00-SP	CHAMPAIGN	53	49
CONTRACT NO. 91550				

FED. ROAD DIST. NO. [ILLINOIS] FED. AID PROJECT

SEC 1, T17N, R7E, 3RD PM



*REMOVE EXISTING END SECTION AND REINSTALL ON PROPOSED PIPE. COST INCLUDED IN PIPE CULVERT, CLS D, TY 1 30"

SEC 12, T17N, R7E, 3RD PM

LEGEND

- ◆ TEMPORARY DITCH CHECKS
- PERIMETER EROSION BARRIER
- ⊗ INLET AND PIPE PROTECTION
- ⓐ6 STEEL PLATE BEAM GUARDRAIL, TYPE A, 6 FOOT POSTS
- ⓐ9 STEEL PLATE BEAM GUARDRAIL, TYPE A, 9 FOOT POSTS
- ② TRAFFIC BARRIER TERMINAL, TYPE 2
- ⑤A TRAFFIC BARRIER TERMINAL, TYPE 5A
- ① TRAFFIC BARRIER TERMINAL, TYPE 1 (SPECIAL) TANGENT
- ⓁS LONG SPAN GUARDRAIL OVER CULVERT, 12 FOOT 6 INCH SPAN

CH 17

CONTROL POINT	STATION	COORDINATES	
		NORTHING	EASTING
POT	6+92.18	1196630.89	974949.10
POT	13+01.72	1196636.65	975558.61

LOCATION NO. 79
 MAJOR COLLECTOR
 ADT 650
 DESIGN SPEED 50 MPH



JOB = 2471.1
 FILE NAME = plan79.dgn
 PLOT SCALE = 48.0000' / 1" = 1/48
 PLOT DATE = 7/30/2018

DESIGNED - CGF
 DRAWN - SJS
 CHECKED - NAK
 DATE - 3/23/2017

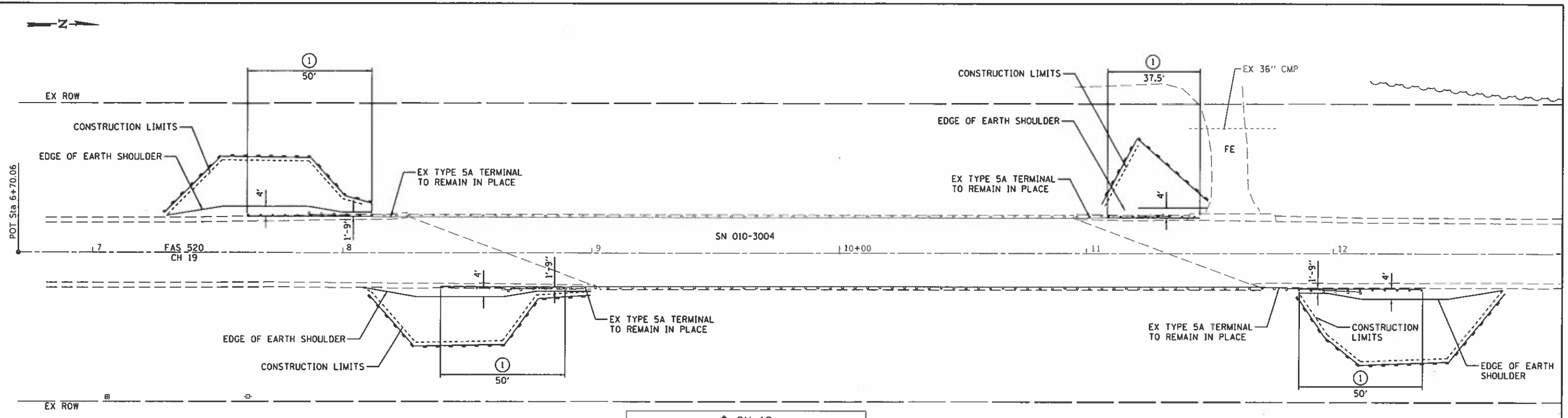
REVISED -
 REVISED -
 REVISED -
 REVISED -

CHAMPAIGN COUNTY
 GUARDRAIL IMPROVEMENTS

PLAN

SCALE: SHEET NO. OF SHEETS STA. TO STA.

F.A. RTE.	SECTION	COUNTY	TOTAL SHEETS	SHEET NO.
	16-00444-00-SP	CHAMPAIGN	53	50
CONTRACT NO. 91550				
FED. ROAD DIST. NO. [ILLINOIS] FED. AID PROJECT				

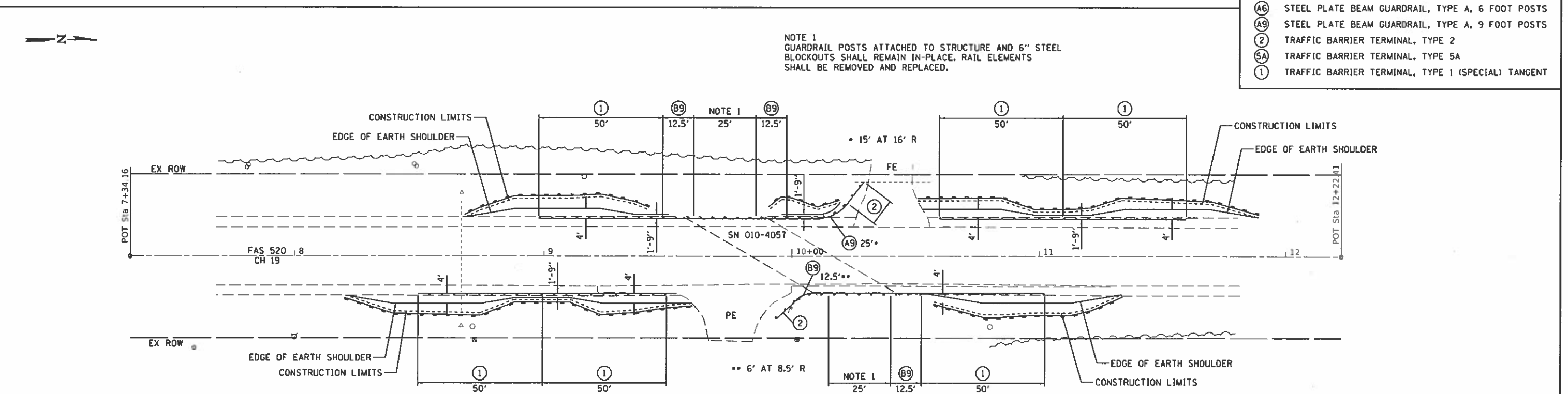


CH 19			
CONTROL POINT	STATION	COORDINATES	
		NORTHING	EASTING
POT	6+70.06	1216940.09	979696.82
POT	10+00.00	1217270.02	979694.34
POT	13+25.12	1217595.14	979691.89

LOCATION NO. 81
 MAJOR COLLECTOR
 ADT 750
 DESIGN SPEED 50 MPH

LEGEND	
	TEMPORARY DITCH CHECKS
	PERIMETER EROSION BARRIER
	INLET AND PIPE PROTECTION
	STEEL PLATE BEAM GUARDRAIL, TYPE A, 6 FOOT POSTS
	STEEL PLATE BEAM GUARDRAIL, TYPE A, 9 FOOT POSTS
	TRAFFIC BARRIER TERMINAL, TYPE 2
	TRAFFIC BARRIER TERMINAL, TYPE 5A
	TRAFFIC BARRIER TERMINAL, TYPE 1 (SPECIAL) TANGENT

NOTE 1
 GUARDRAIL POSTS ATTACHED TO STRUCTURE AND 6" STEEL BLOCKOUTS SHALL REMAIN IN-PLACE. RAIL ELEMENTS SHALL BE REMOVED AND REPLACED.



CH 19			
CONTROL POINT	STATION	COORDINATES	
		NORTHING	EASTING
POT	7+34.16	1204389.52	979776.80
POT	10+00.00	1204655.36	979775.91
POT	12+22.41	1204877.77	979775.16

LOCATION NO. 80
 MAJOR COLLECTOR
 ADT 800
 DESIGN SPEED 50 MPH

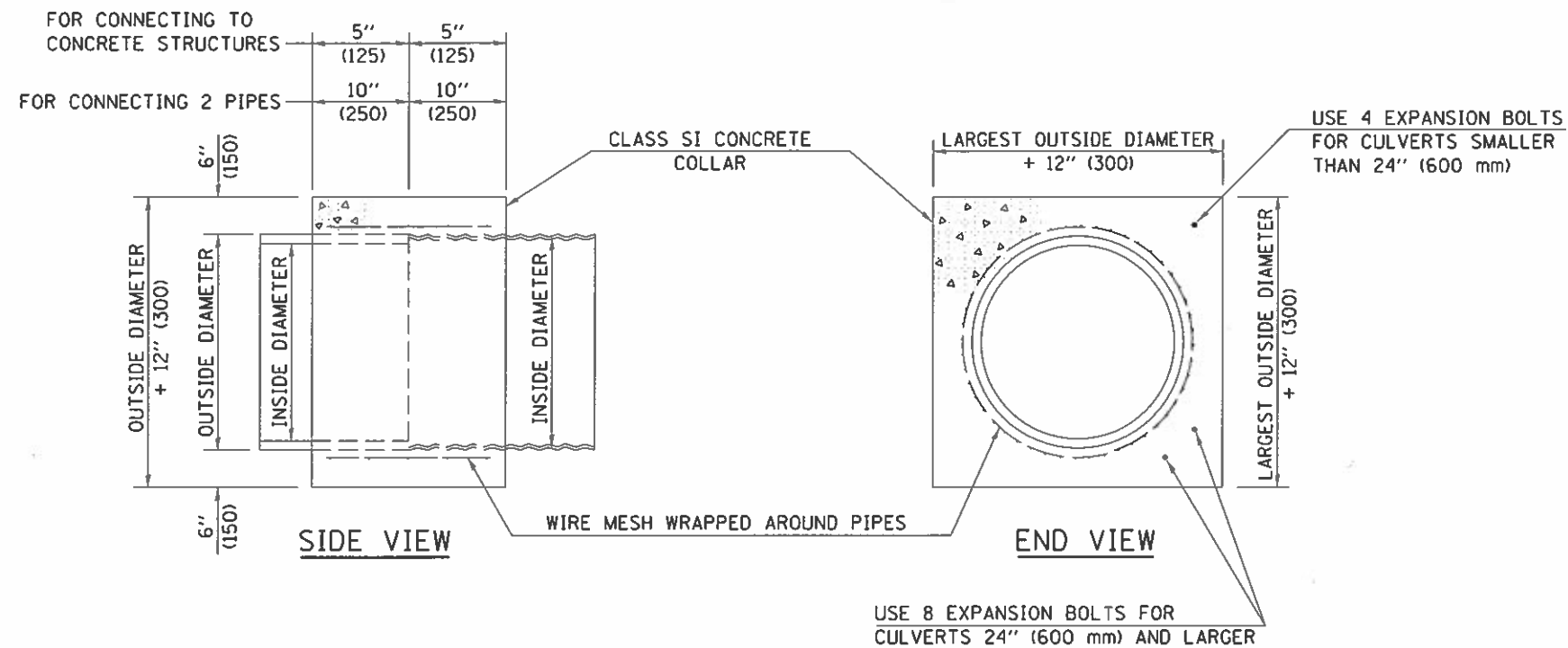


JOB = 2471.1	DESIGNED - CGF	REVISED -
FILE NAME = plan80&81.dgn	DRAWN - SJS	REVISED -
PLOT SCALE = 48,0000 "/> <td>CHECKED - NAK</td> <td>REVISED -</td>	CHECKED - NAK	REVISED -
PLOT DATE = 7/30/2018	DATE - 3/23/2017	REVISED -

CHAMPAIGN COUNTY
 GUARDRAIL IMPROVEMENTS

PLAN				
SCALE:	SHEET NO.	OF	SHEETS	STA. TO STA.

F.A. RTE.	SECTION	COUNTY	TOTAL SHEETS	SHEET NO.
	16-00444-00-5P	CHAMPAIGN	53	51
CONTRACT NO. 91550				
FED. ROAD DIST. NO. ILLINOIS/FED. AID PROJECT				



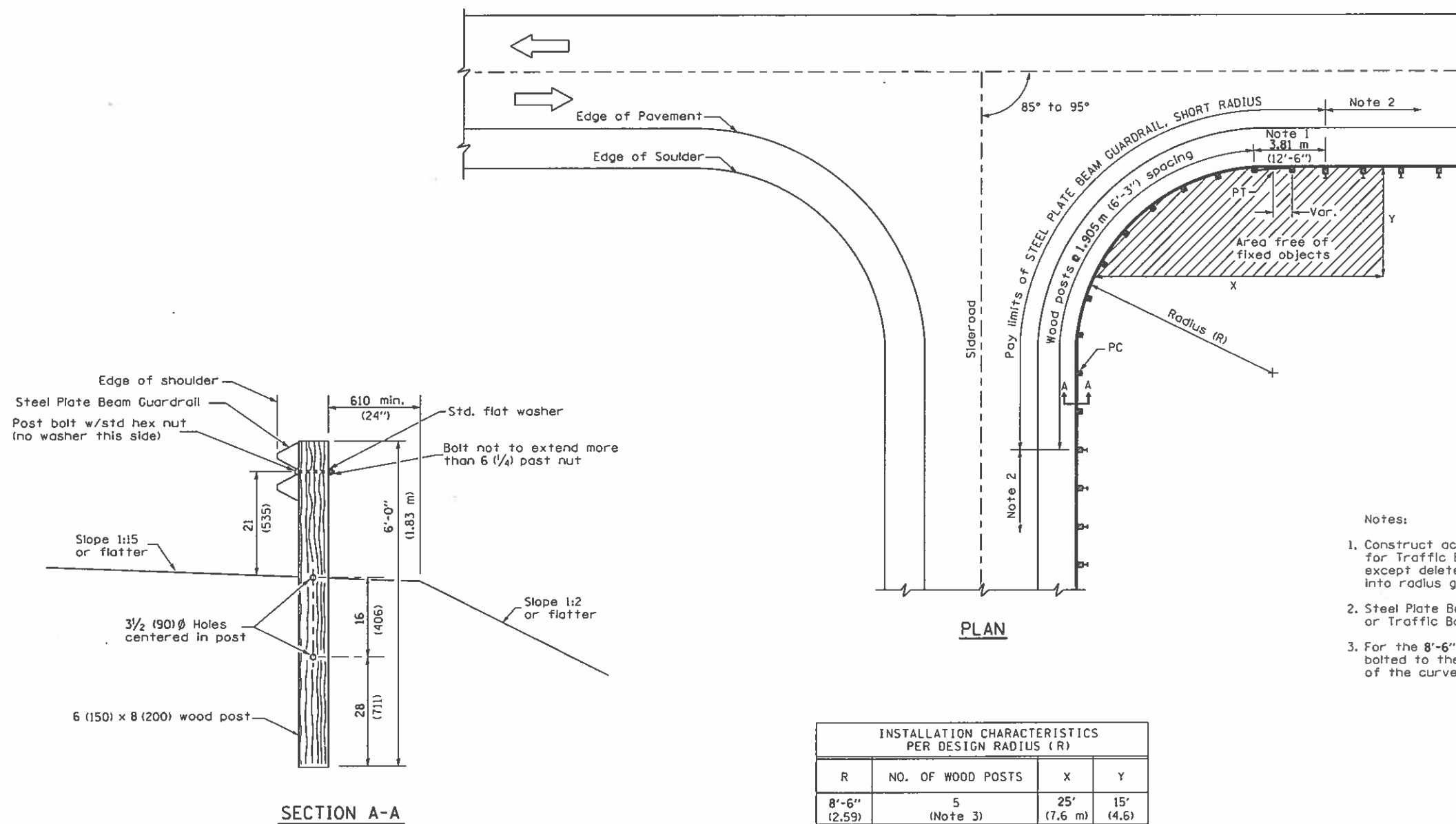
GENERAL NOTES

1. CLASS SI CONCRETE SHALL BE USED THROUGHOUT.
2. WHEN CONCRETE COLLARS ARE USED TO CONNECT PIPES OF DIFFERENT OUTSIDE DIAMETERS, THE CONCRETE COLLAR SHALL BE FORMED USING THE LARGEST OUTSIDE DIAMETER (SEE END VIEW).
3. THE WIRE MESH SHALL WEIGH NOT LESS THAN 54#/100 SQ. FT. (2.63 kg/m²). WIRE MESH WILL NOT BE PAID FOR SEPARATELY SHALL BE INCLUDED IN THE COST FOR CONCRETE COLLARS.
4. WHEN CONCRETE COLLARS ARE CONSTRUCTED ADJACENT TO AN EXISTING CONCRETE STRUCTURE (HEADWALLS, ETC.) EXPANSION BOLTS, SHALL BE USED AND WILL BE PAID FOR AT THE CONTRACT UNIT PRICE, EACH, FOR EXPANSION BOLTS OF THE SIZE SPECIFIED IN THE PLANS.
5. CONCRETE COLLARS WILL BE PAID FOR AT THE CONTRACT UNIT PRICE, PER CUBIC YARD (CUBIC METER), FOR CONCRETE COLLARS INCLUDING ALL MATERIAL AND LABOR SPECIFIED TO COMPLETE THE WORK IN PLACE.

Note: All dimensions are in INCHES (millimeters) unless otherwise shown.

QUANTITIES FOR CONCRETE PIPES	
INSIDE DIAMETER OF PIPE	ESTIMATED CLASS SI CONCRETE REQUIRED
INCH (mm)	20" (500 mm) WIDTH CU. YD. (m ³)
4" (100)	0.14 (0.11)
6" (150)	0.16 (0.12)
8" (200)	0.19 (0.14)
10" (250)	0.22 (0.17)
12" (300)	0.25 (0.19)
15" (375)	0.30 (0.23)
18" (450)	0.35 (0.27)
24" (600)	0.45 (0.35)
30" (750)	0.57 (0.43)
36" (900)	0.69 (0.53)
42" (1050)	0.83 (0.63)
48" (1200)	0.97 (0.74)
54" (1350)	1.12 (0.86)
60" (1500)	1.28 (0.98)

QUANTITIES FOR METAL PIPES	
INSIDE DIAMETER OF PIPE	ESTIMATED CLASS SI CONCRETE REQUIRED
INCH (mm)	20" (500 mm) WIDTH CU. YD. (m ³)
4" (100)	0.12 (0.09)
6" (150)	0.14 (0.11)
8" (200)	0.16 (0.12)
10" (250)	0.19 (0.14)
12" (300)	0.21 (0.16)
15" (375)	0.25 (0.19)
18" (450)	0.29 (0.22)
24" (600)	0.38 (0.29)
30" (750)	0.47 (0.36)
36" (900)	0.59 (0.45)
42" (1050)	0.69 (0.53)
48" (1200)	0.81 (0.62)
54" (1350)	0.93 (0.71)
60" (1500)	1.05 (0.81)



- Notes:
1. Construct according to Standard 631011 for Traffic Barrier Terminal Type 2, except delete end section and splice into radius guardrail.
 2. Steel Plate Beam Guardrail Type A, Type B, or Traffic Barrier Terminal as specified.
 3. For the 8'-6" (2.59 m) radius, the rail is not bolted to the post located at the midpoint of the curve.

INSTALLATION CHARACTERISTICS PER DESIGN RADIUS (R)			
R	NO. OF WOOD POSTS	X	Y
8'-6" (2.59)	5 (Note 3)	25' (7.6 m)	15' (4.6)
17'-0" (5.18)	6	30' (9.1 m)	15' (4.6)
25'-6" (7.77)	8	40' (12.2 m)	20' (6.1)
35'-0" (10.67)	11	50' (15.2 m)	20' (6.1)

GENERAL NOTES

All slope ratios are expressed as units of vertical displacement to units of horizontal displacement (V:H).

All dimensions are in inches (millimeters) unless otherwise shown.