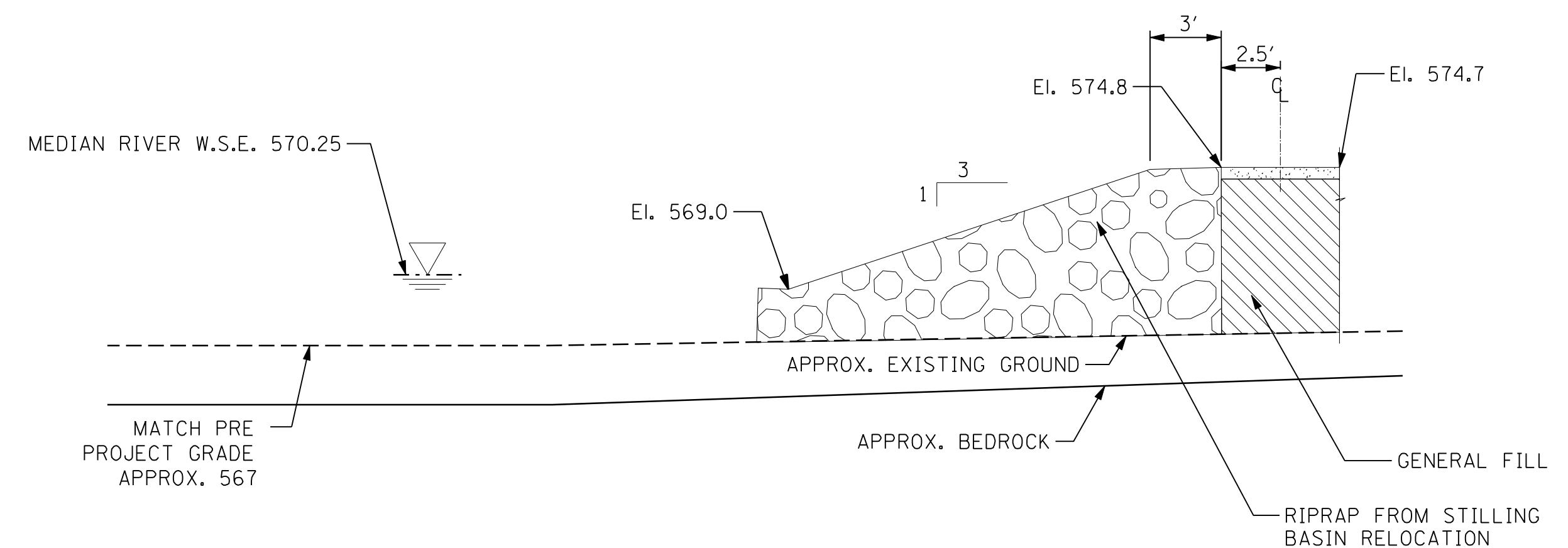
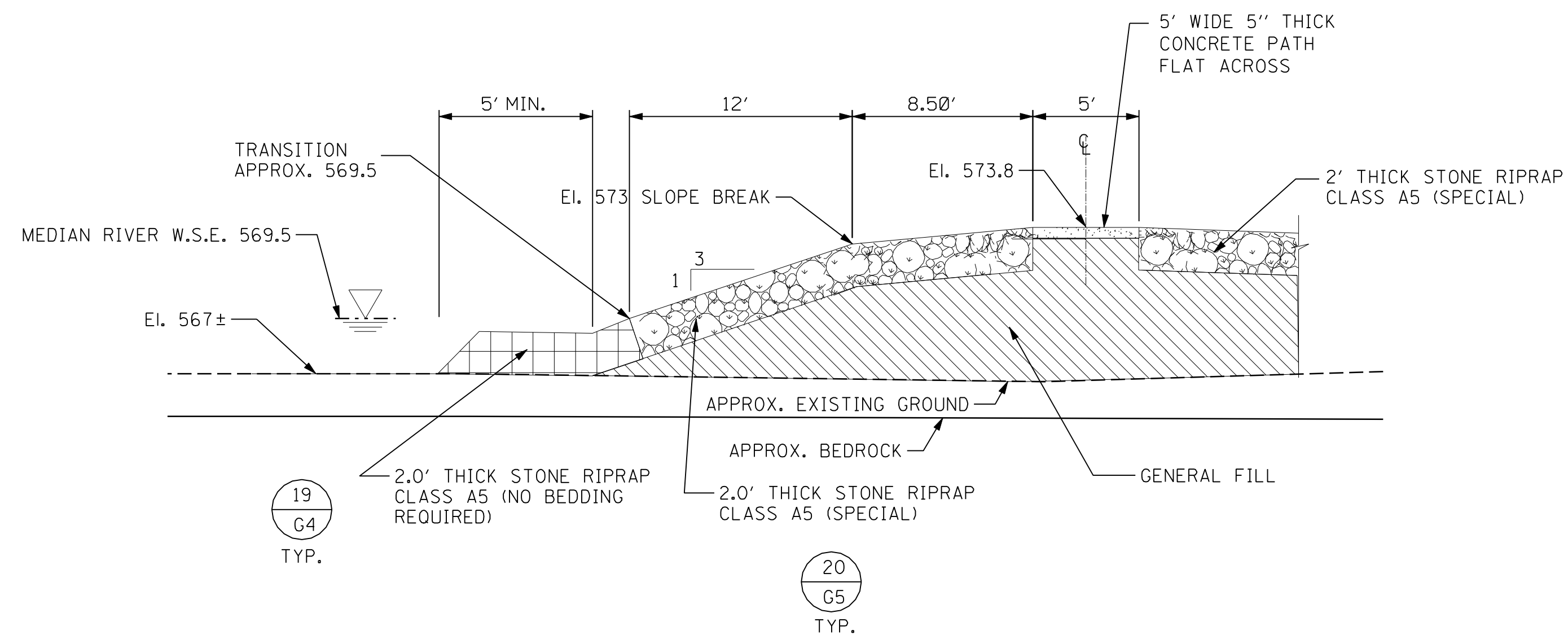


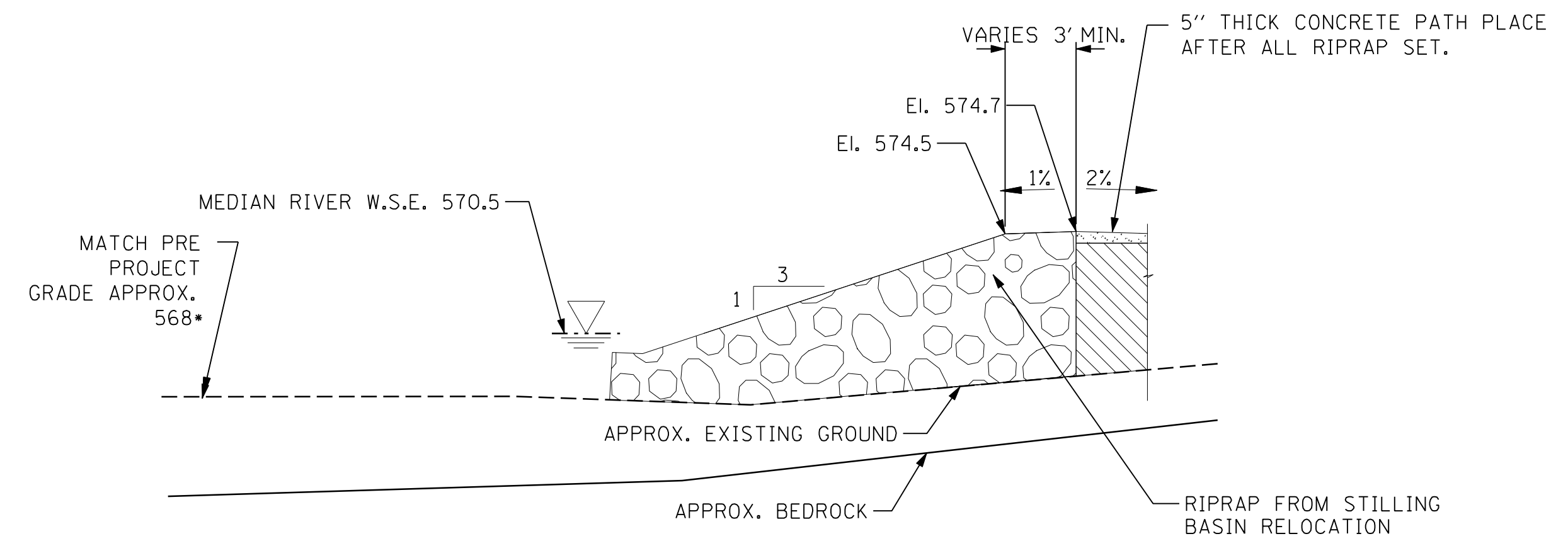
(A) SPUR DOWNSTREAM OF LOWER DIVIDER ISLAND
E1



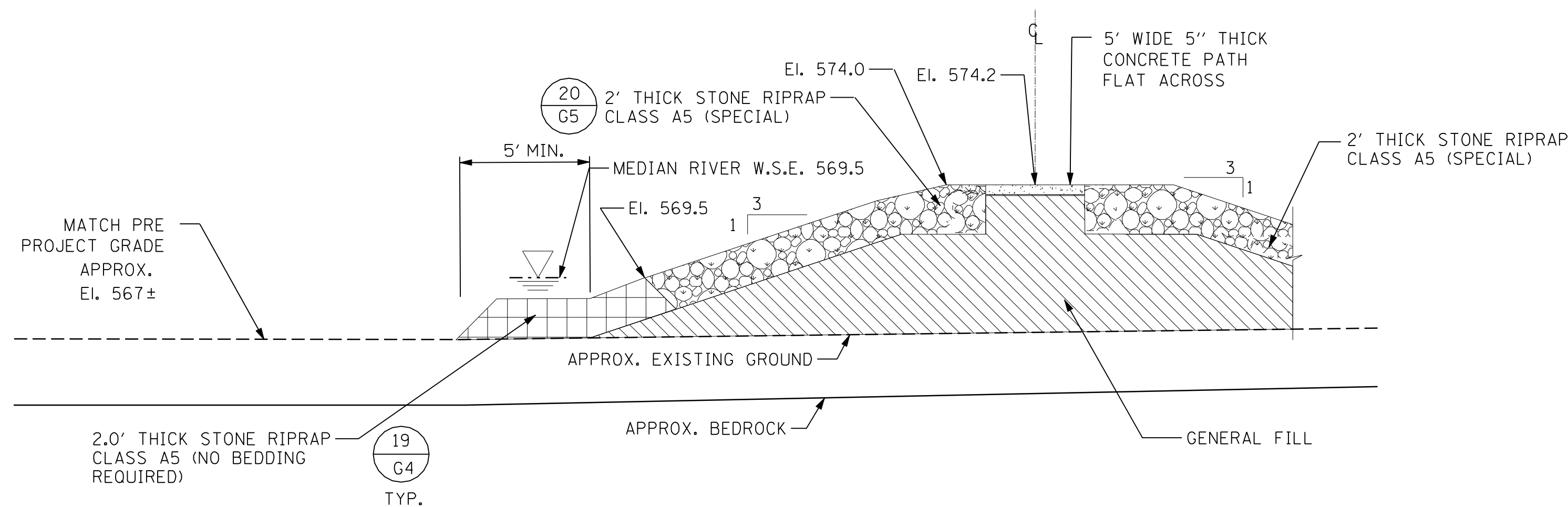
(D) RIVERSIDE-LOWER DIVIDER ISLAND MIDWAY
E1



(B) RIVERSIDE-LOWER DIVIDER ISLAND NEAR DOWNSTREAM END
E1



(E) RIVERSIDE-LOWER DIVIDER ISLAND JUST DOWNSTREAM ABUTMENT WALL
E1



(C) RIVERSIDE-LOWER DIVIDER ISLAND
E1

S:\DOCUMENT\02348801\CIVIL\DGN\DET000REN.DGN
 4:43:13 PM
 10/09/2007

Checked By: TKL
 Drawn By: JPR
 Checked By: TKL