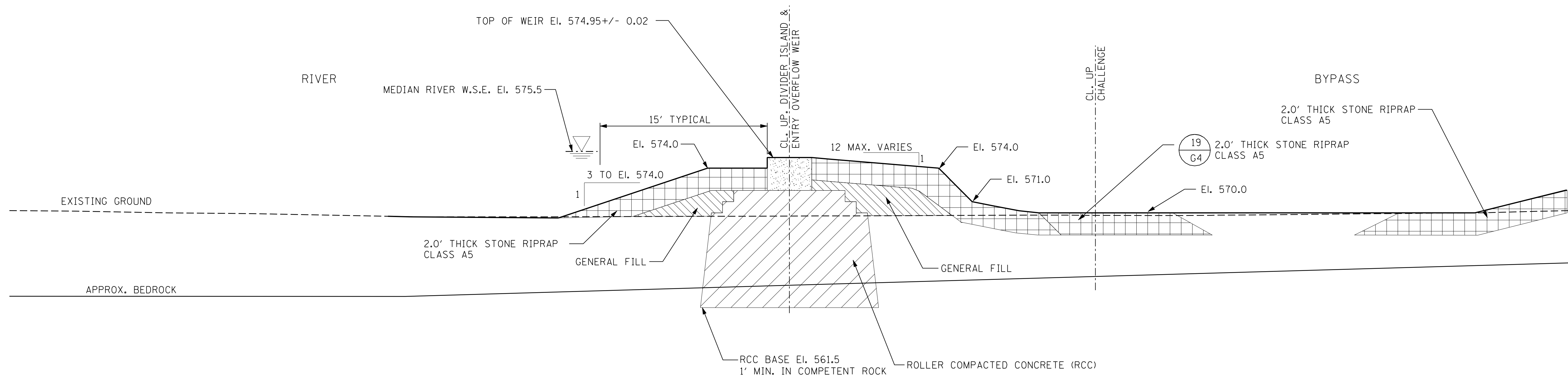


Q END OF UPPER DIVIDER ISLAND NEAR OVERFLOW WEIR - STA 12+62



R ENTRY OVERFLOW WEIR ALONG UPPER DIVIDER ISLAND CENTERLINE - TYPICAL

Designed By JPR Checked By TKL  
 Drawn By JPR Checked By TKL  
 10/09/2007 4:43:45 PM S:\DOCUMENT\02348801\CIVIL\DGN\DET00RCX.DGN