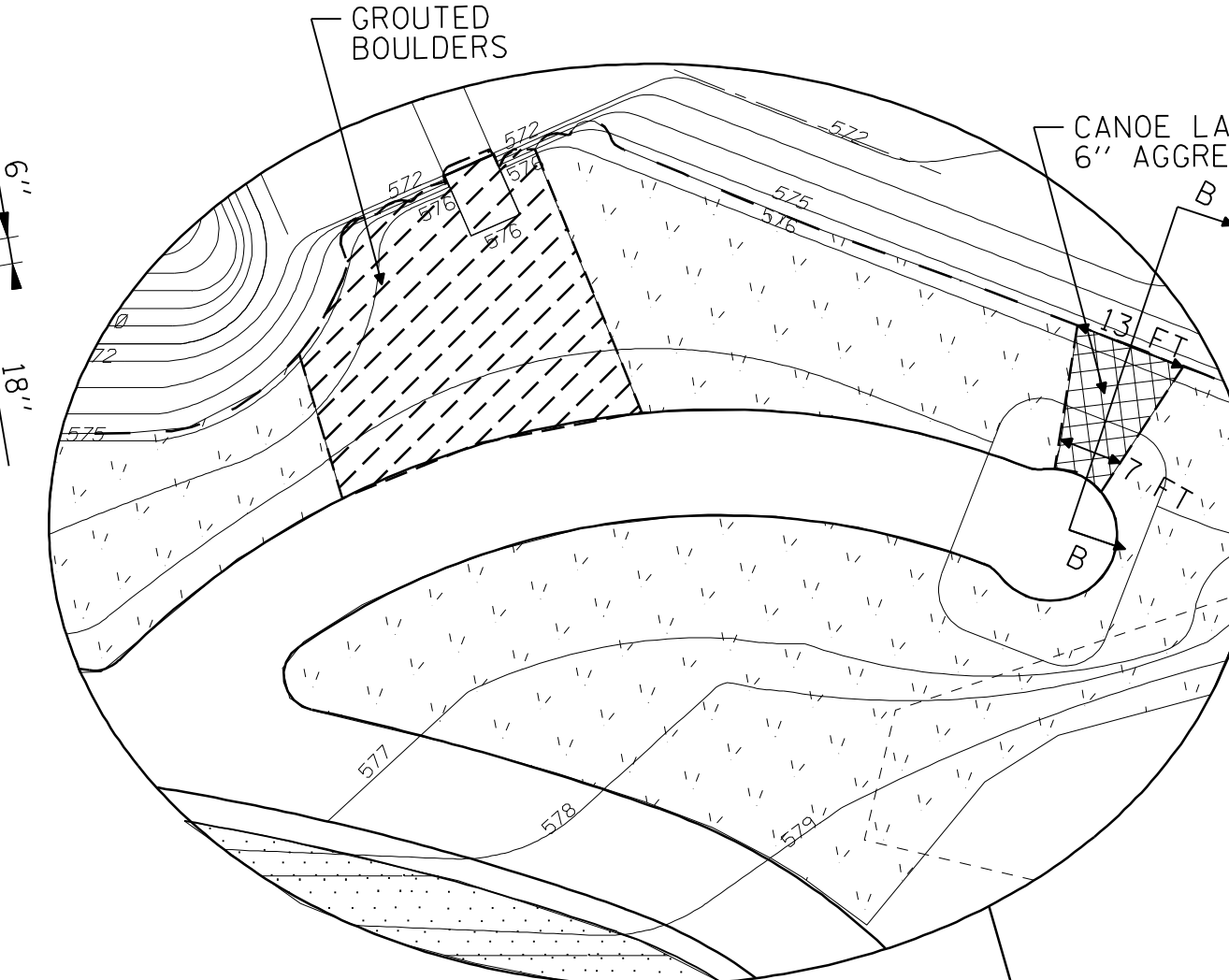
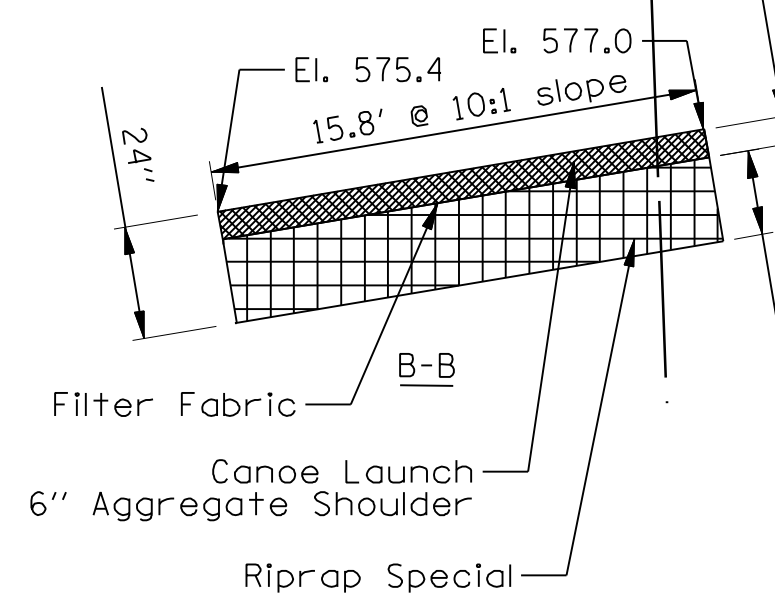
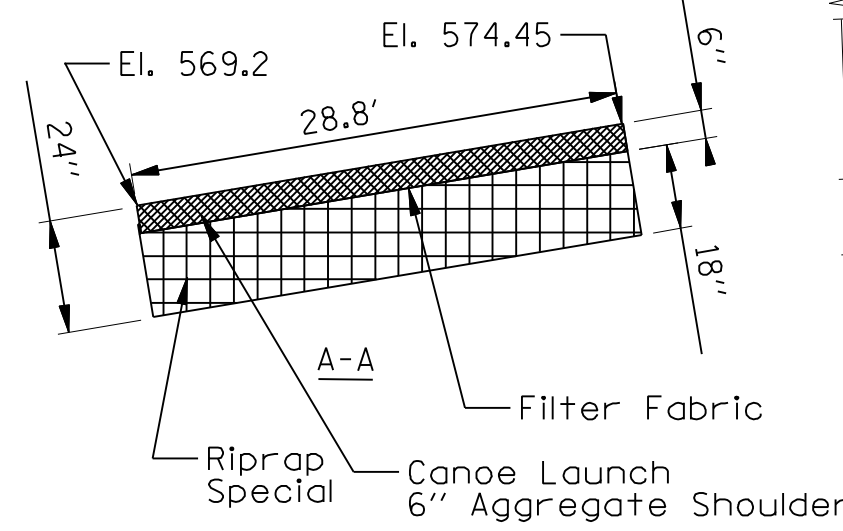
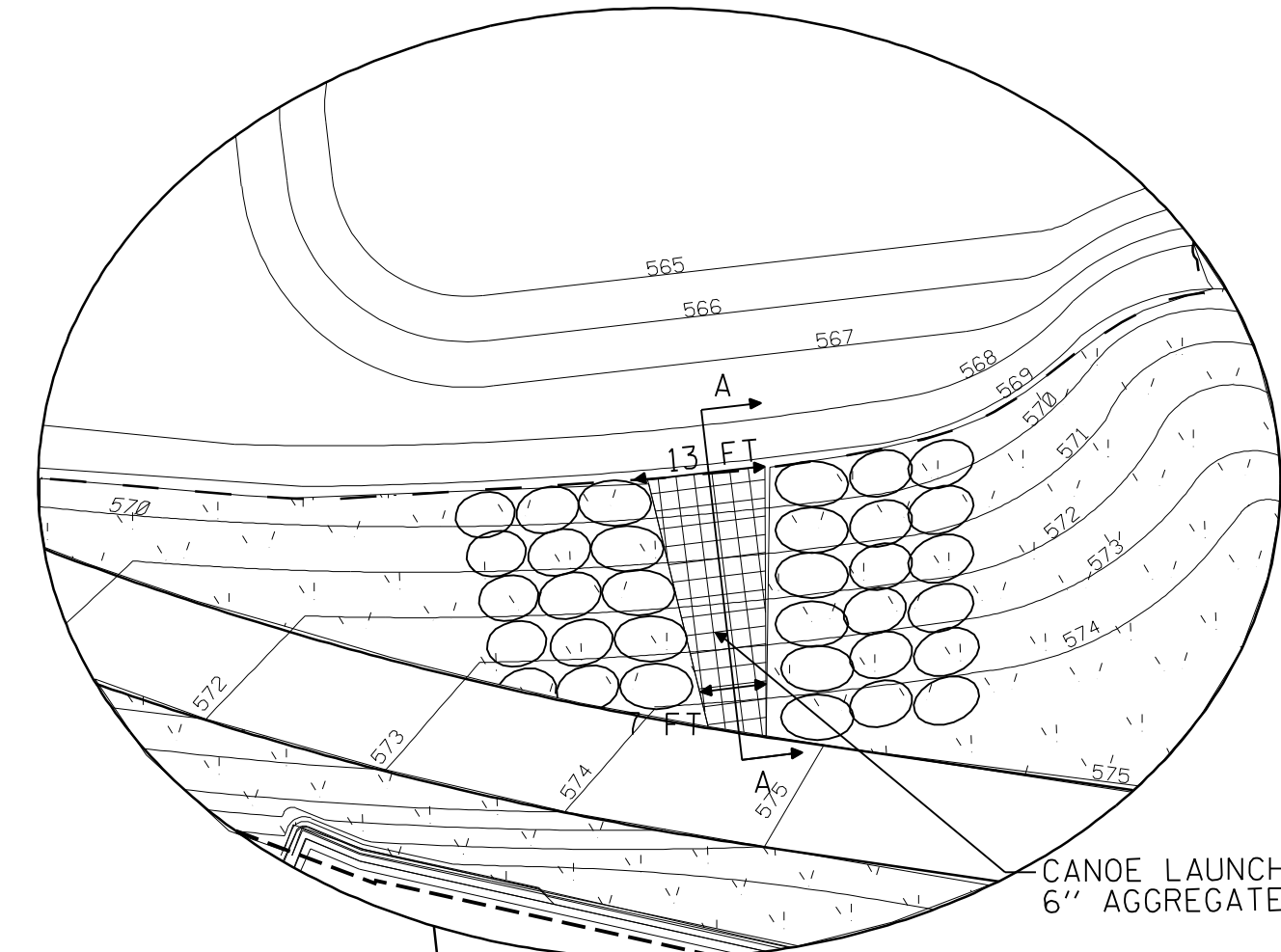
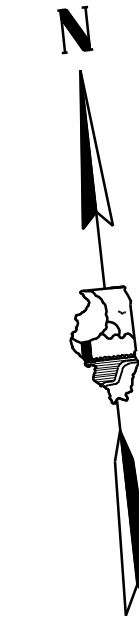


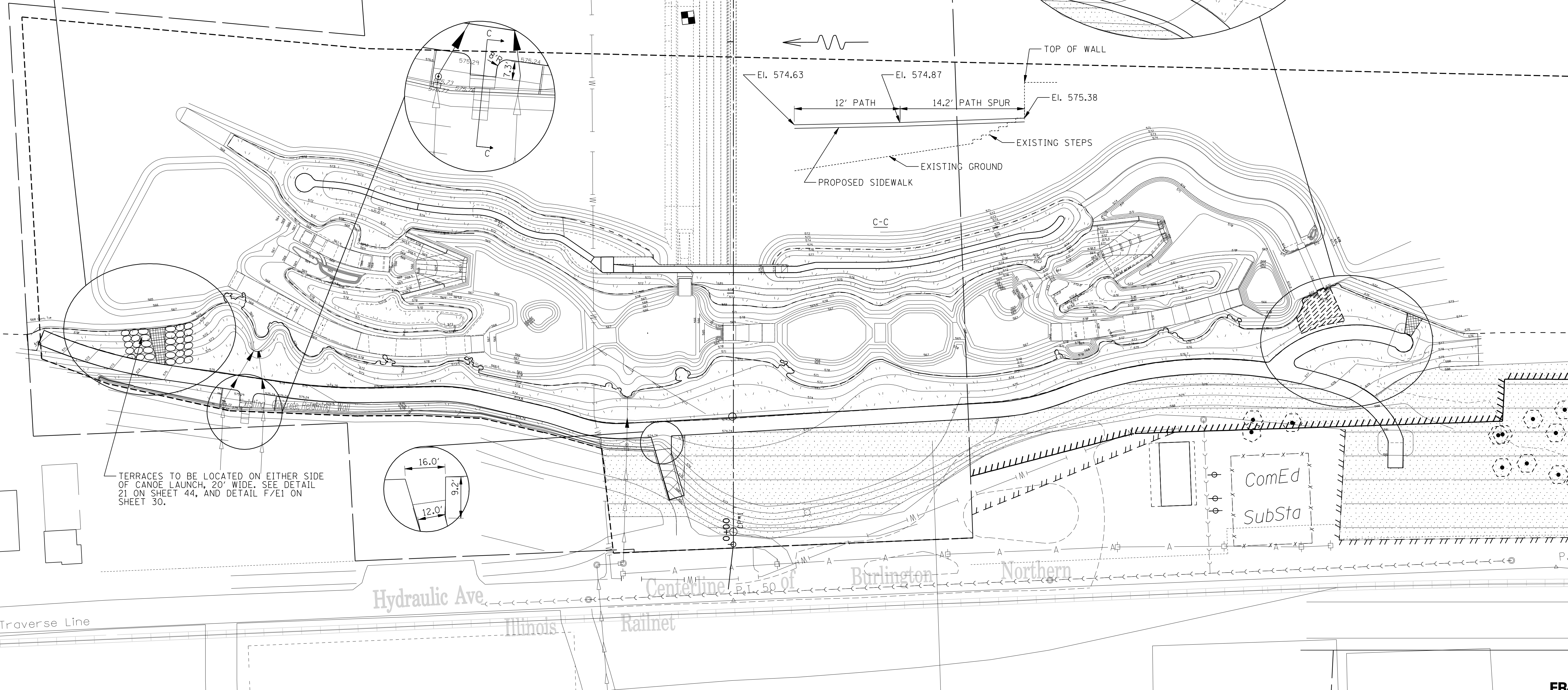
Bill of Material		
Item	Unit	Qty
Wet Prairie Seed Mix	Acres	1.42
Seeding and Fertilizing	Acres	1.26
Aggregate Shoulders, Type B	Tons	18.5
Filter Fabric	Sq Yd	50
Topsoil Excavation and Placement	Cu Yd	1030.4
Flexible Growth Medium	Acres	1.42



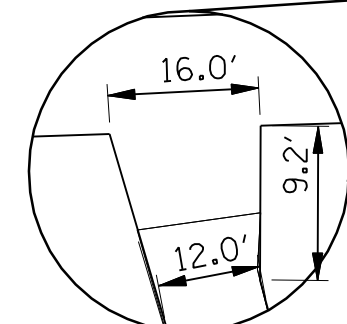
- LEGEND:
- WET PRAIRIE SEED MIX
 - SEEDING AND FERTILIZING

NOTE:
APPLY FLEXIBLE GROWTH MEDIUM TO AREA OF WET PRAIRIE SEED MIX

Fox River



TERRACES TO BE LOCATED ON EITHER SIDE OF CANOE LAUNCH, 20' WIDE. SEE DETAIL 21 ON SHEET 44, AND DETAIL F/E1 ON SHEET 30.



10/09/2007 4:50:43 PM s:\document\02348801\civil\dgn\lnd00rds.dgn

Designed By JPR Checked By TKL
 Drawn By JPR Checked By TKL