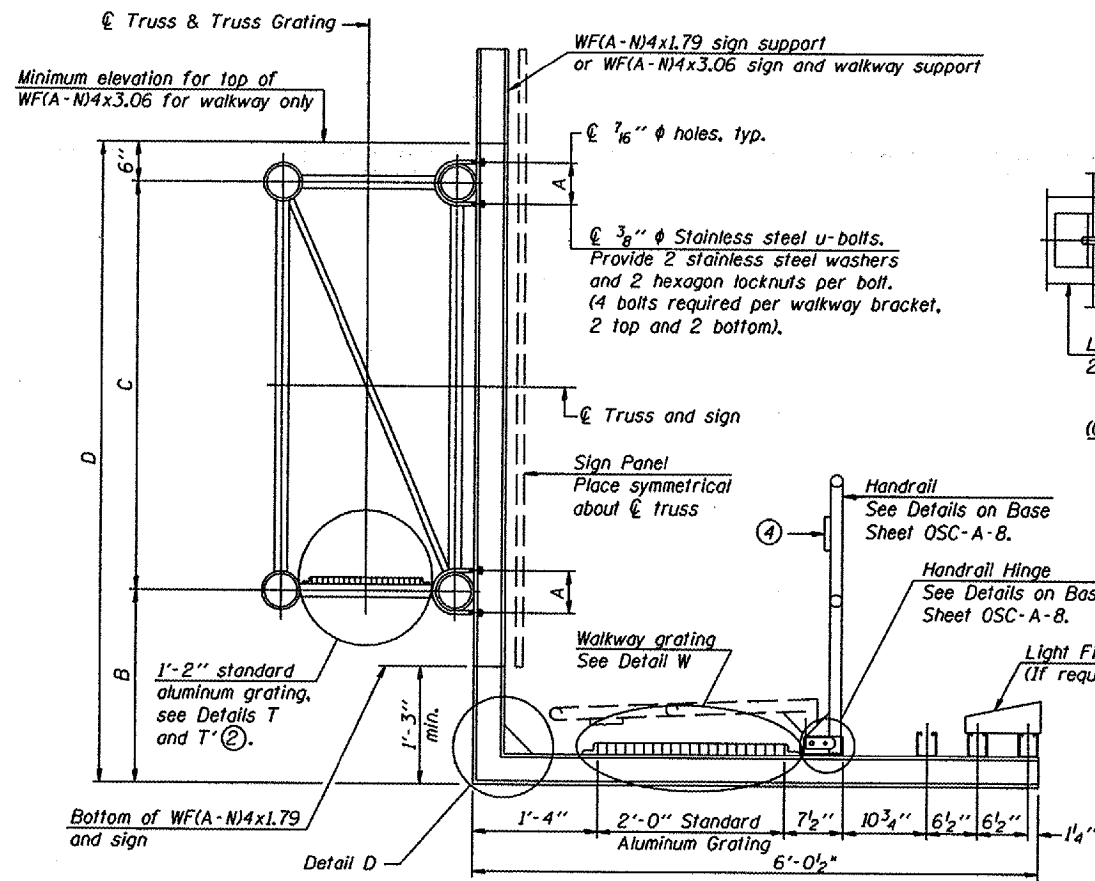


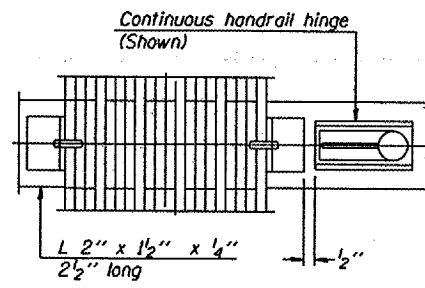
STATE OF ILLINOIS
DEPARTMENT OF TRANSPORTATION

Various Routes
OVD SIN STR REP & REPL 2008-9
Various Counties
Sheet 23 of 105
Contract Number 44973

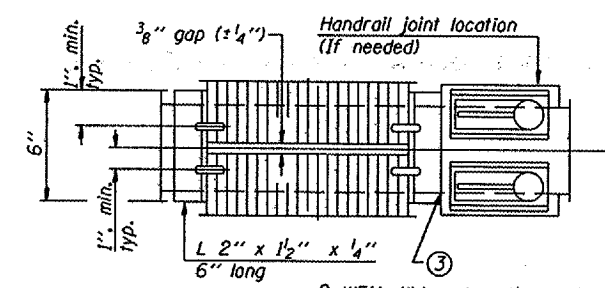


SECTION B-B

Sign shall be even with the top of the bracket, but it may extend no more than 6" above the top of the bracket for field adjustments.

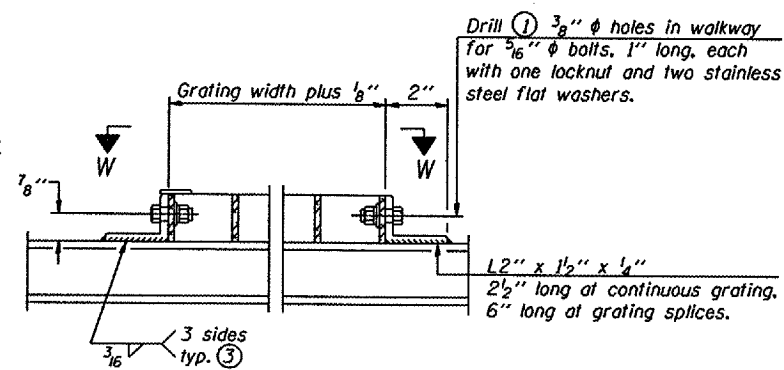


(CONTINUOUS WALKWAY GRATING)

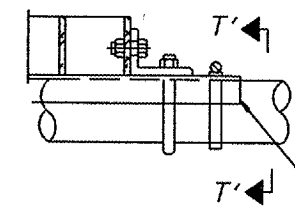


SECTION W-W

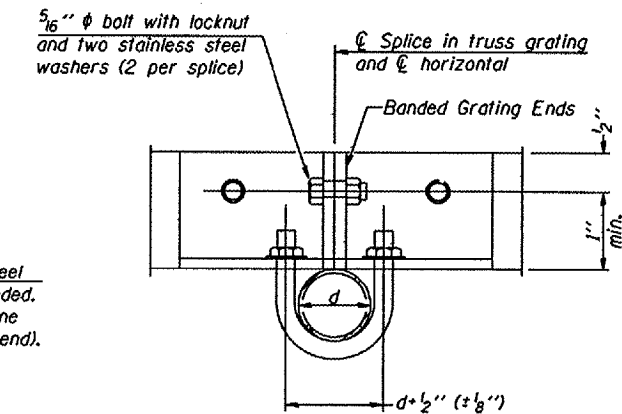
(AT WALKWAY GRATING SPLICE)



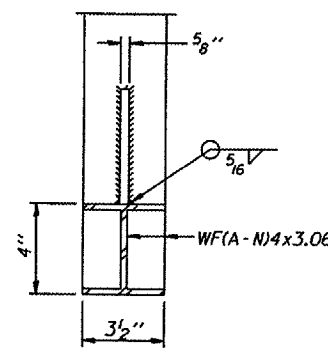
DETAIL W (Walkway grating)



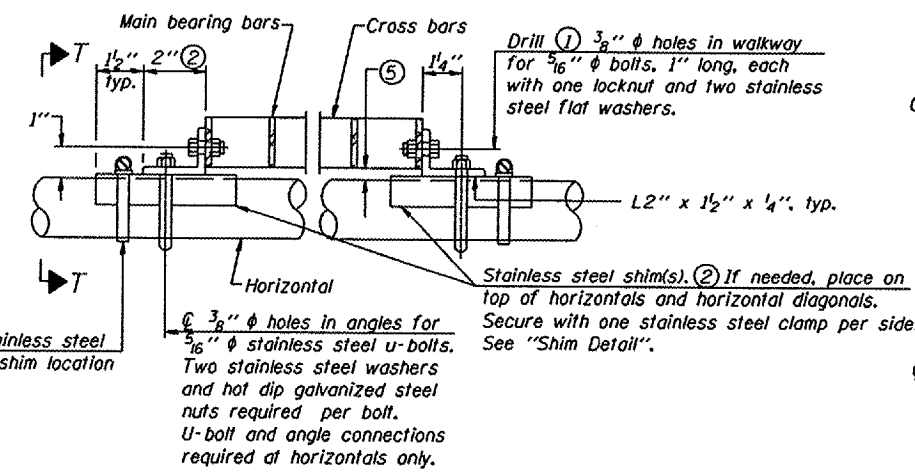
DETAIL T' (Truss grating splice)
Details not shown same as Detail T. Alternate materials may be used subject to the Engineer's review and approval.



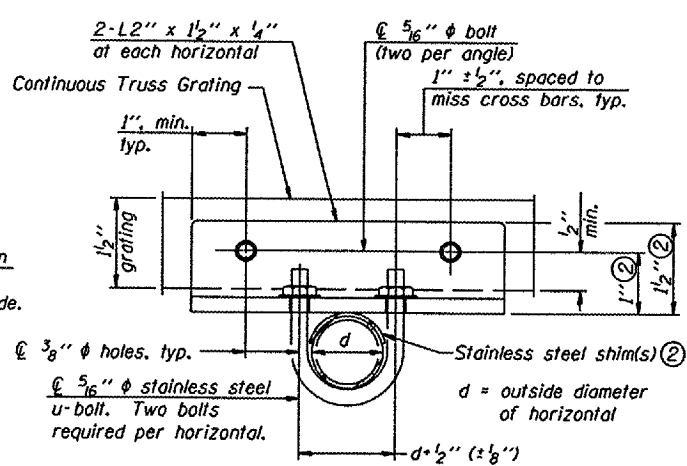
SECTION T'-T'



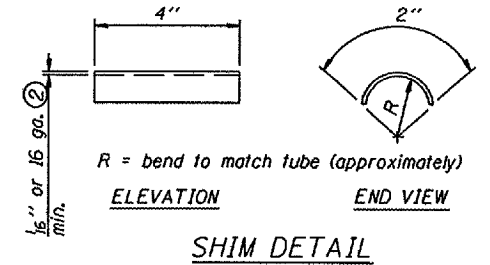
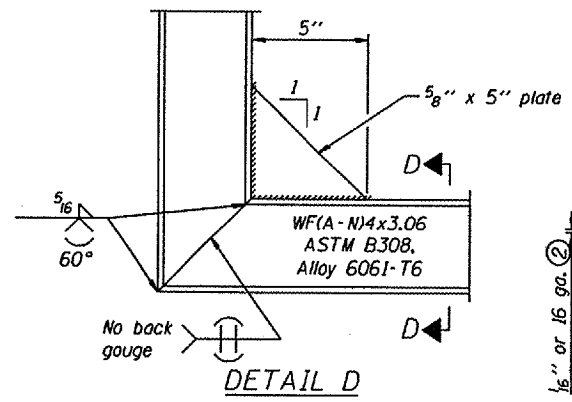
SECTION D-D
Screw type stainless steel tube clamp at shim location



DETAIL T (Continuous Truss grating)



SECTION T-T



NUMBER	REVISION	DATE

DESIGNED -	20
CHECKED -	EXAMINED
DRAWN -	PASSED
CHECKED -	ENGINEER OF BRIDGES AND STRUCTURES

OSC-A-7 6/01/2007

- Drilling holes in grating may be done in shop or field, based on Contractor's preference and subject to accurate alignment.
- Stainless steel shims shall be placed as shown in Detail T if needed to compensate for alignment variations between horizontal and diagonal pipes beyond adjustment provided by angles. Thicker shims may be used subject to shims performing properly.
- If Handrail Joint present, weld angle to WF(A-N)4 and 1/4" extension bars. (See Base Sheet OSC-A-8.)
- 1/8" x 1/2" x 2" welded to handrail posts to protect locations that contact grating.
- Tube to grating gap may vary from 0 to 1/2", max. to align walkway, allow for camber, etc.

Structure Number	Station	A	B	C	D

This Sheet For Information Only

CANTILEVER SIGN STRUCTURES
WALKWAY DETAILS
ALUMINUM TRUSS & STEEL POST

District 1
Handrail Replacement
for Vierendeel
Sign Structure-Cantilever