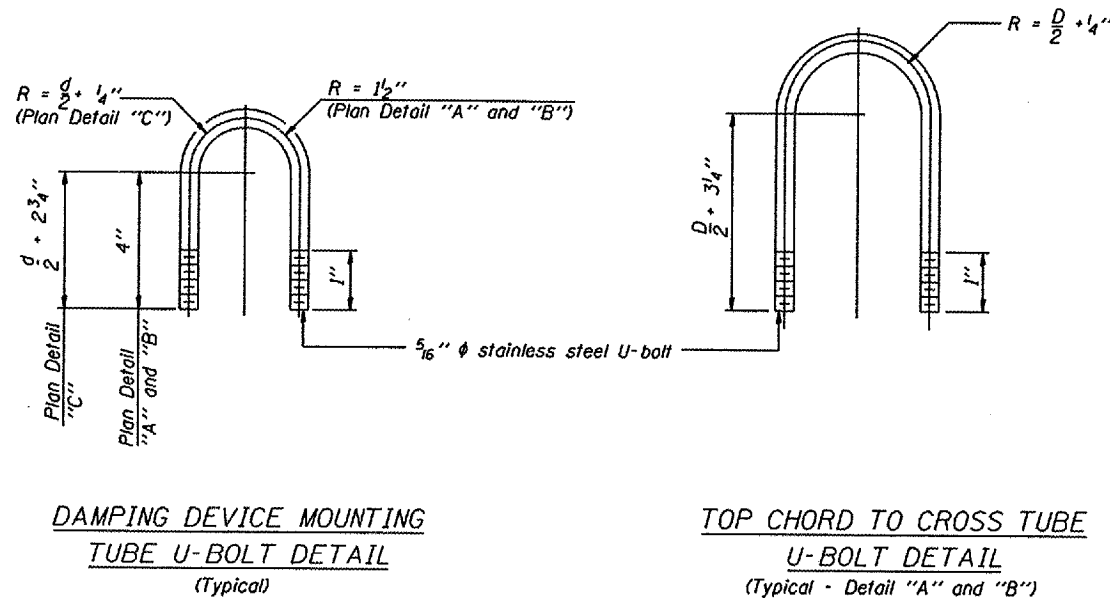
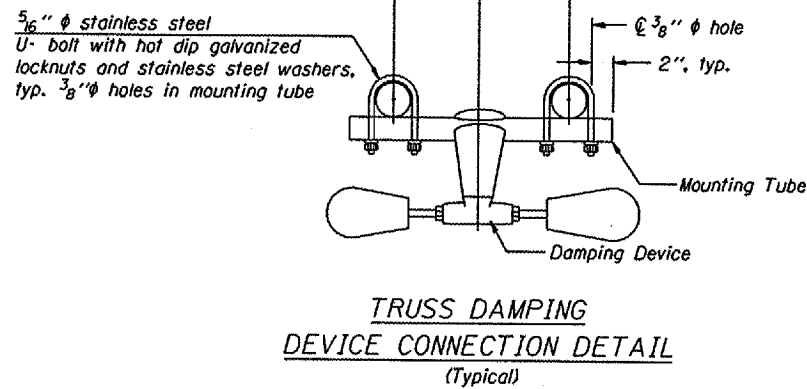
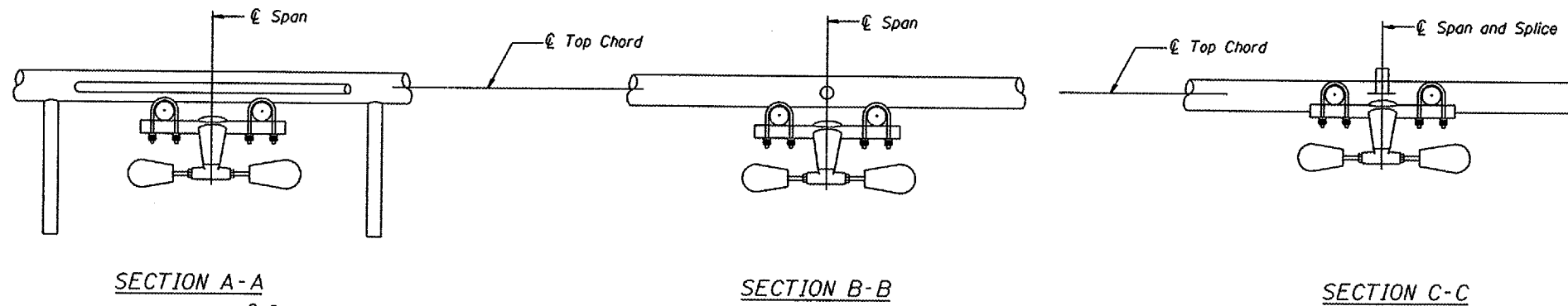
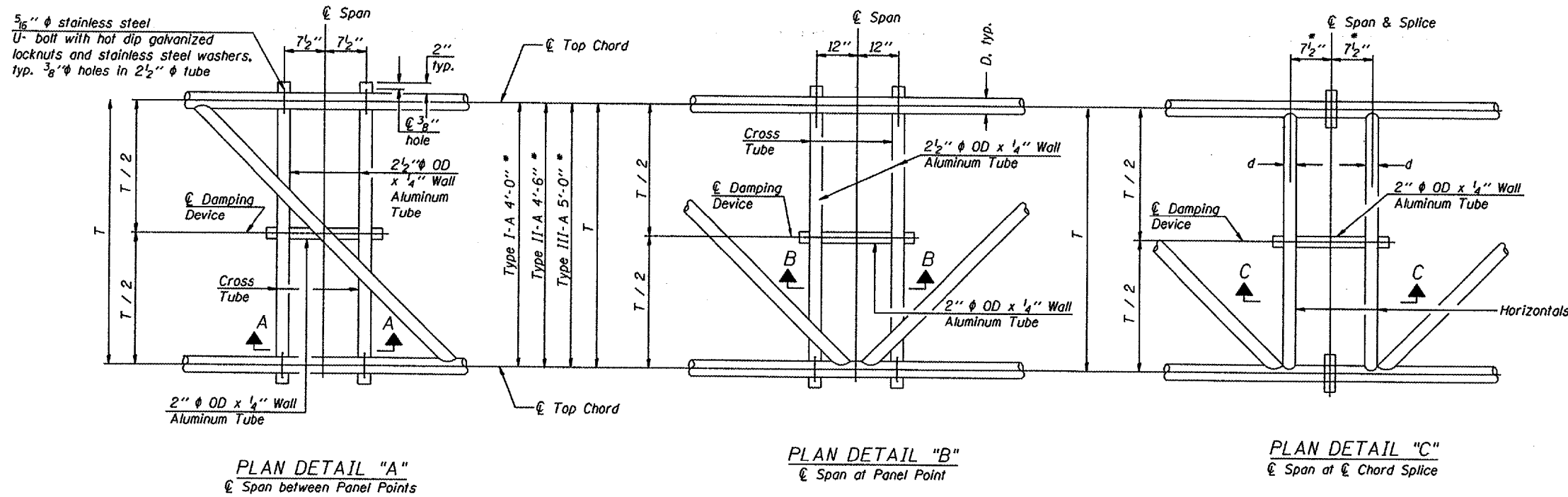


* Center of horizontal to center of splice dimension may vary. Verify before drilling holes in mounting tube.



This detail applies to the following overhead sign structures:
Structure No: 2S10IU020R023.8
Structure No: 2S10IU020L023.1
Structure No: 2S10IU020L022.6

DESIGNED -	20
CHECKED -	EXAMINED
DRAWN -	PASSED
CHECKED -	ENGINEER OF BRIDGE DESIGN
	ENGINEER OF BRIDGES AND STRUCTURES

OS-A-D 6/01/2007

OVERHEAD SIGN STRUCTURE
DAMPING DEVICE

District 2
Overhead Sign Structure
Repair & Replacement