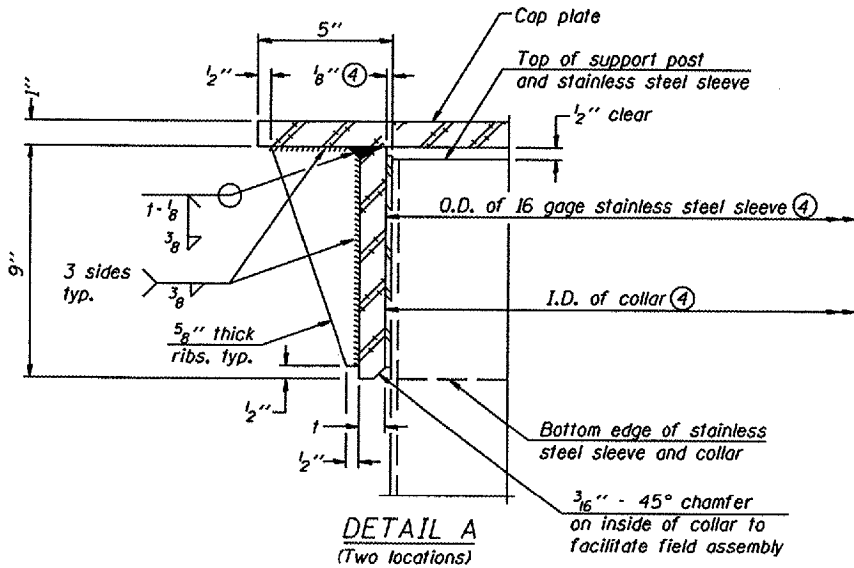


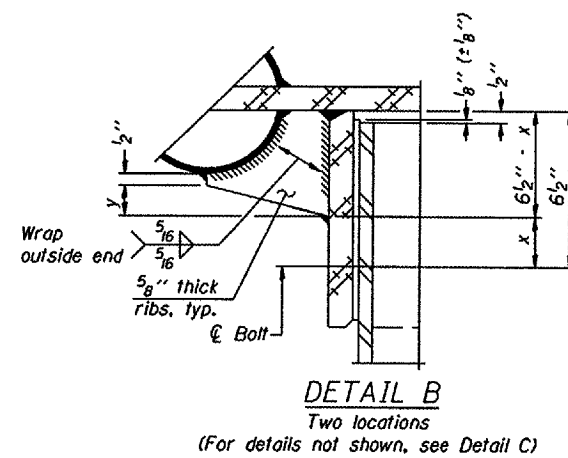
④ Collar I.D. shall be manufactured to correspond to O.D. of actual galvanized post and stainless steel sleeve plus 1/8" (±1/16"). Maximum gap between post and collar at any location equals 1/8" before tightening bolts.

SECTION B-B

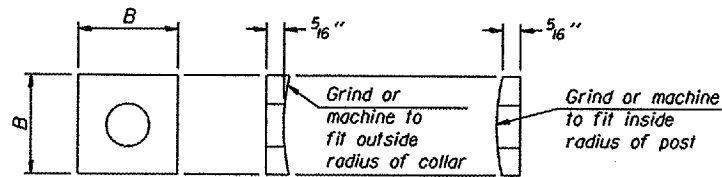
Bolts, washers (including contoured washers), and locknuts shall be stainless steel.



DETAIL A
(Two locations)



DETAIL B
Two locations
(For details not shown, see Detail C)



CONTOURED WASHERS

Bolt Size	Contoured Washers	
	Hole Dia.	B
7/8"	1"	2 1/2"
1"	1 1/8"	3"
1 1/4"	1 3/8"	3 1/4"

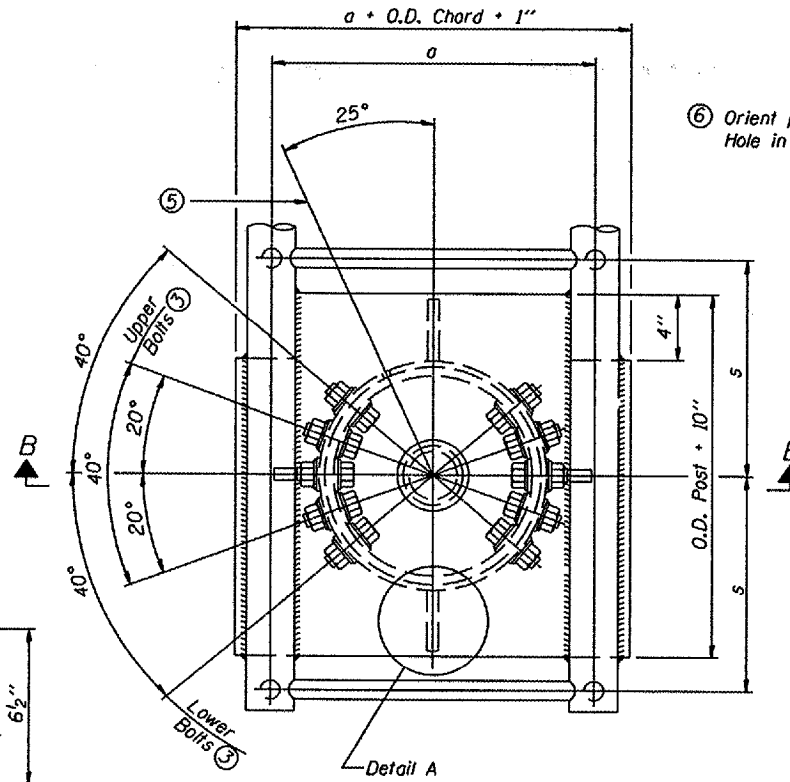
DETAIL OF STAINLESS STEEL SLEEVE

Weld to post after galvanizing. (Prepare post surface to insure tight, uniform fit and allow welding.) Welds to be 1/2" long at 6" cts. along top edge and at 1/4" opening.

NUMBER	REVISION	DATE

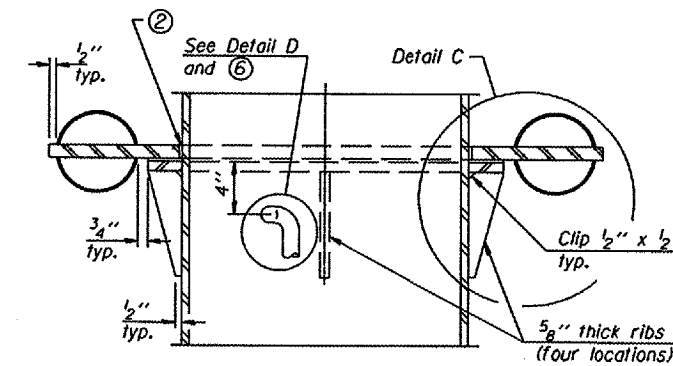
DESIGNED -	20
CHECKED -	ENGINEER OF BRIDGE DESIGN
DRAWN -	PASSED
CHECKED -	ENGINEER OF BRIDGES AND STRUCTURES

OSC-A-3 6/01/2007

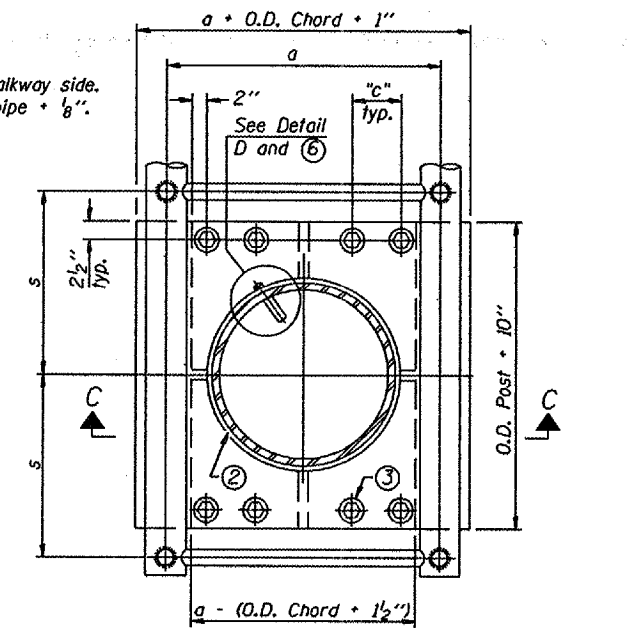


PLAN VIEW - TOP OF COLUMN

⑤ Optional full penetration weld in collar. (Two locations maximum...180° apart)...X-ray or UT 100%.

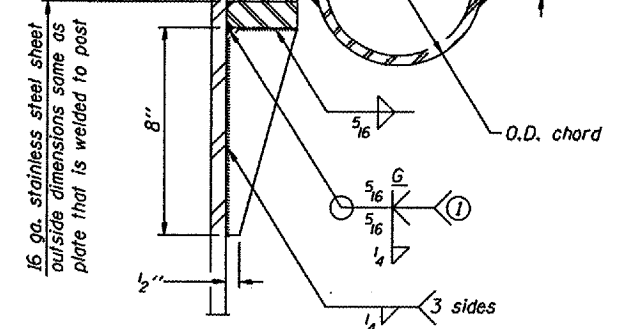


SECTION C-C



SECTION THRU POST ABOVE LOWER CHORDS

Hole in aluminum plate (and 16 ga. stnl. stl. sheet) to be O.D. post + 1/2"



DETAIL C

- ① Grind top if required to fully seat aluminum plate and stainless steel sheet.
- ② After tightening lower connection bolts, fill gap with non-hardening, silicone caulk suitable for exterior exposure and acceptable to the Engineer. Cost is included in Overhead Sign Structure Cantilever.

Truss Type	Post Size	Upper & Lower Connection Bolt Diameter ③	Lower Juncture Bolt Spacing Dimension "c" ③	Opening in Cap Plate "HH"	Collar Thickness (t)	Side Ribs	
						x	y
I-C-A	16" phi (83#/')	7/8"	3 1/4"	8"	5/8"	1 3/4"	2 1/4"
II-C-A	24" phi (125#/')	1"	3 1/2"	12"	7/8"	2"	1 1/4"
III-C-A (35' max.)	24" phi (125#/')	1 1/4"	3 1/2"	12"	7/8"	2"	1"
III-C-A (>35' to 40')	24" phi (171#/')	1 1/4"	3 1/2"	12"	7/8"	2"	1"

③ Upper and lower connection bolts in collar and bolts at lower chord connection shall be high strength with matching locknuts. Connection bolts shall have 2 stainless steel flat washers each.

CANTILEVER SIGN STRUCTURES
JUNCTURE DETAILS
ALUMINUM TRUSS & STEEL POST

District 2
Overhead Sign Structure
Repair & Replacement