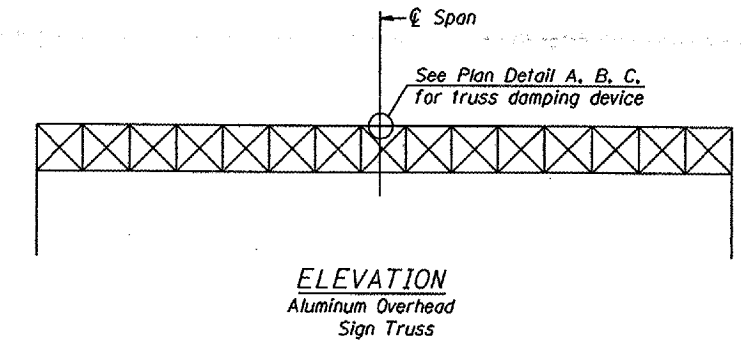
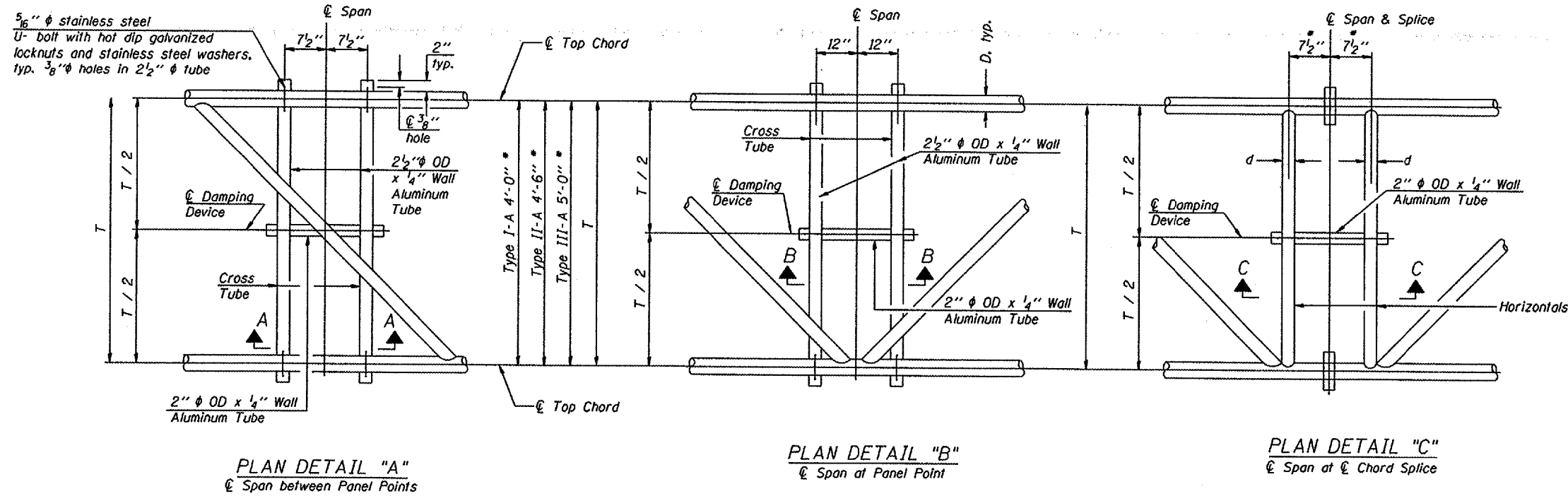


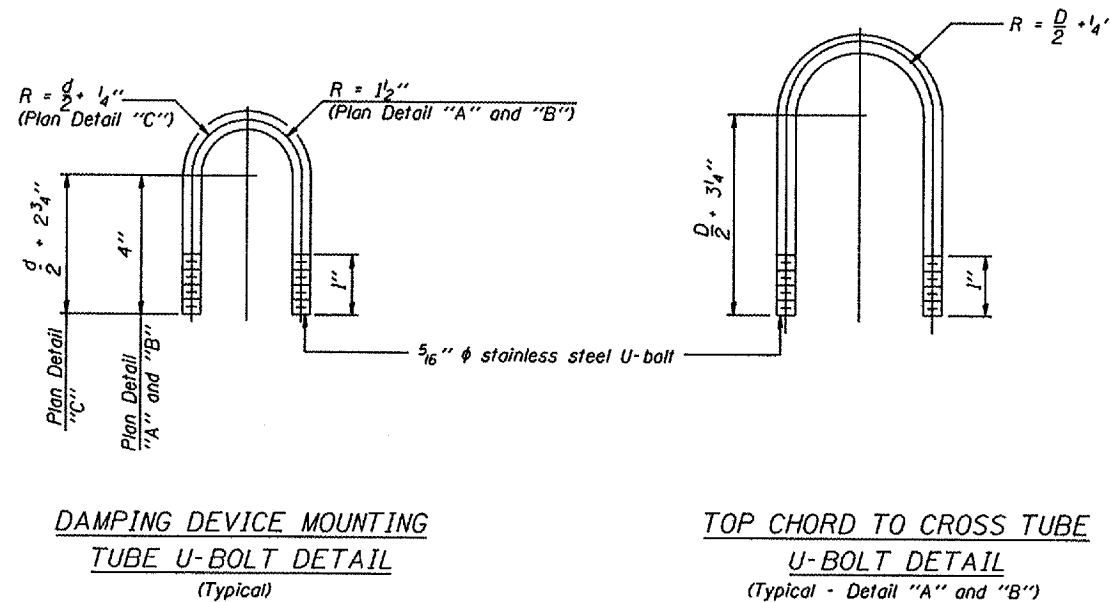
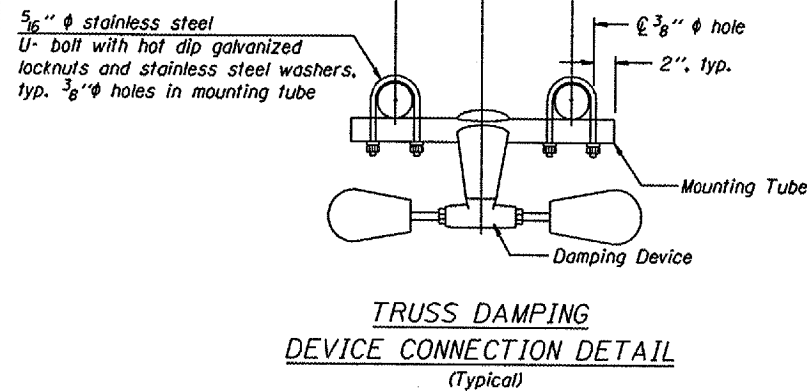
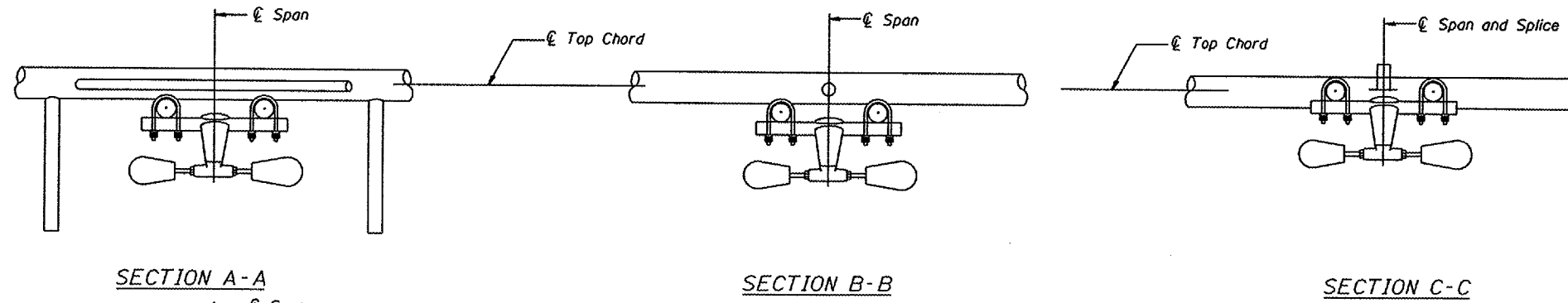
* Center of horizontal to center of splice dimension may vary. Verify before drilling holes in mounting tube.



NOTES

Damper: One damper per truss. (31 lbs. minimum Stockbridge-Type Aluminum - 29" minimum between ends of weights) Cost included in Overhead Sign Structure...

Materials: Materials: Aluminum tubes shall be ASTM B221 alloy 6061 temper T6. Cost included in Overhead Sign Structure...



OVERHEAD SIGN STRUCTURE
DAMPING DEVICE

District 3
Overhead Sign Structure
Repair & Replacement

DESIGNED -	20
CHECKED -	EXAMINED
DRAWN -	PASSED
CHECKED -	ENGINEER OF BRIDGES AND STRUCTURES