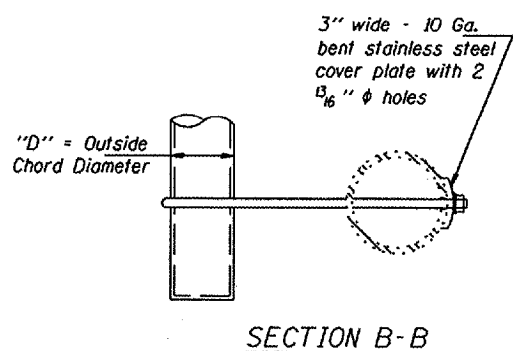
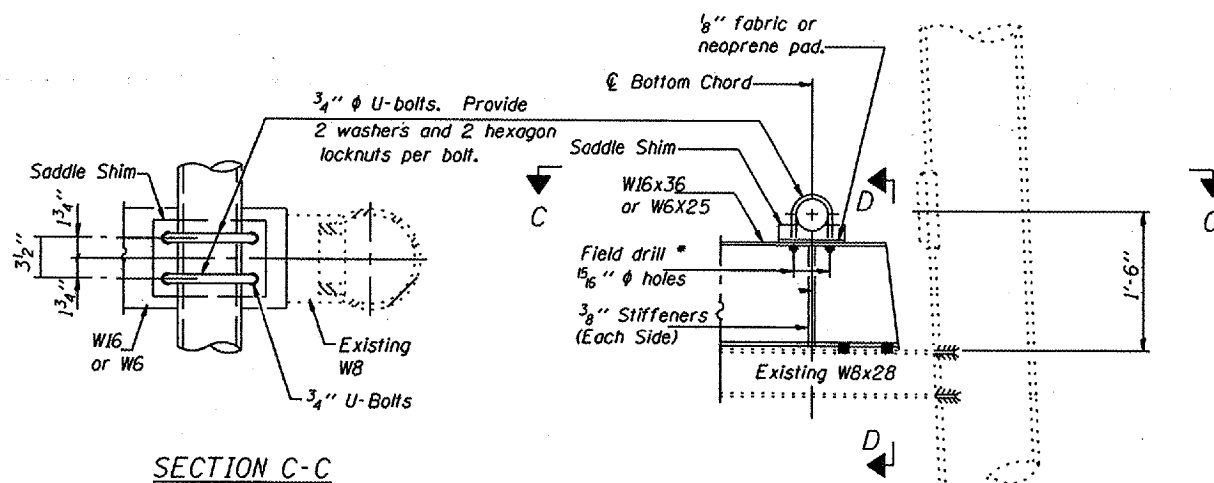


SIDE VIEW

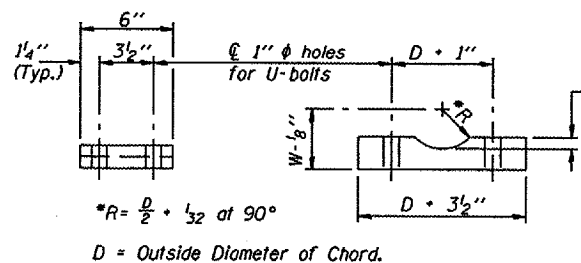


SECTION B-B



SECTION C-C

DETAIL C

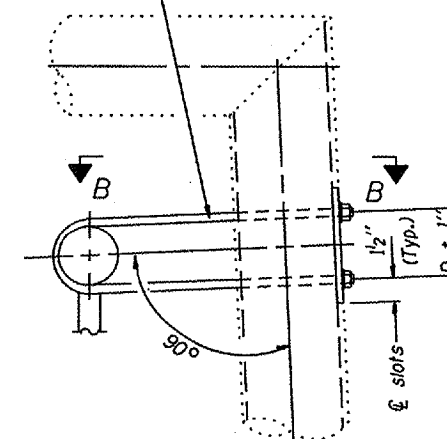


SADDLE SHIM DETAIL

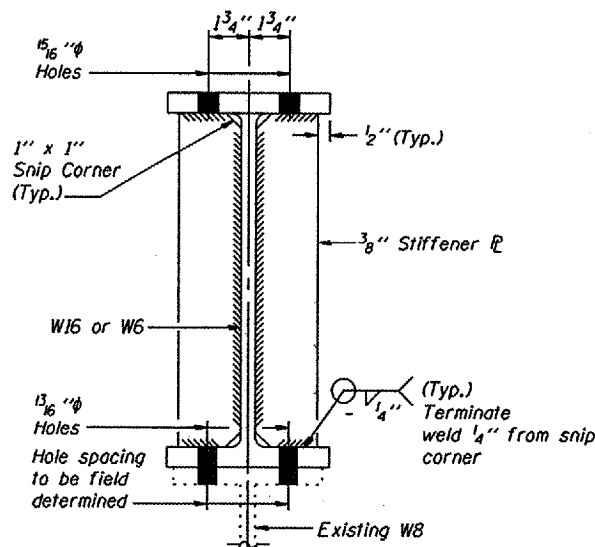
ASTM B26 Alloy 356-F
or
ASTM B209 Alloy 6061-T651
(4 required per sign truss)

Truss Chord Nominal Dia.	a	W
5 1/2"	13/16"	4 3/4"
6"	7/8"	4 3/4"
6 1/2"	15/16"	4 3/4"
7"	1"	4 3/4"
8 1/2"	1 1/4"	5 1/2"
9"	1 3/8"	5 3/4"

3/4" φ stainless steel U-bolt. Provide two washers and two hexagon locknuts. Field drill 1 5/16" φ holes through pipe. (4 holes required per pipe)



DETAIL A



SECTION D-D

OVERHEAD SIGN STRUCTURES
EXISTING SUPPORT FRAME
RETROFIT for ALUMINUM TRUSS

District 3
Overhead Sign Structure
Repair & Replacement

DESIGNED	20
CHECKED	EXAMINED
DRAWN	PASSED
CHECKED	ENGINEER OF STRUCTURAL SERVICES
	ENGINEER OF BRIDGES AND STRUCTURES

OS-A-12-RETROFIT 12-06-04