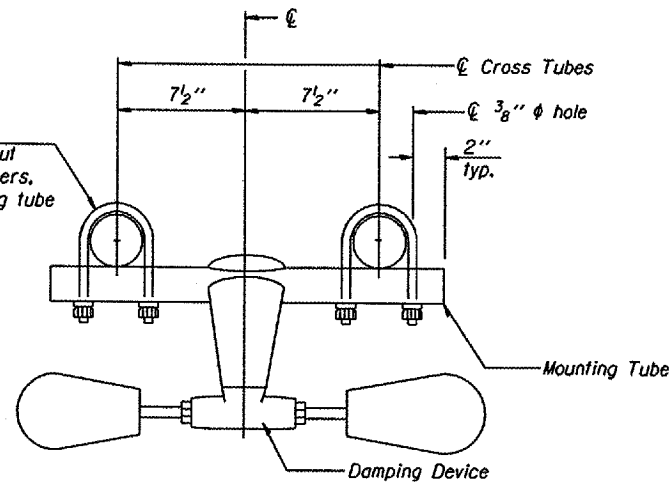


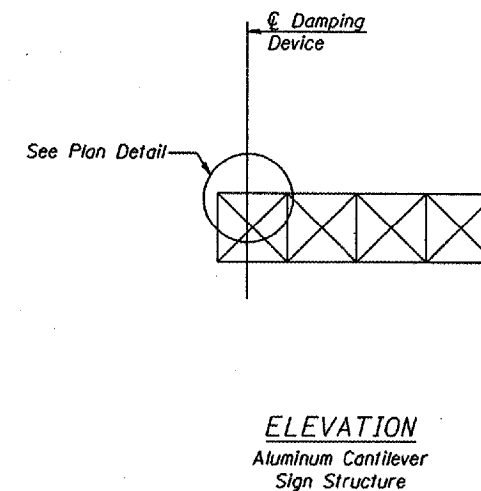
PLAN DETAIL

(See Table on Standard OSC-A-2)

5/16" φ stainless steel U-bolt with hot dip galvanized locknut and two stainless steel washers, typ. 3/8" φ holes in mounting tube



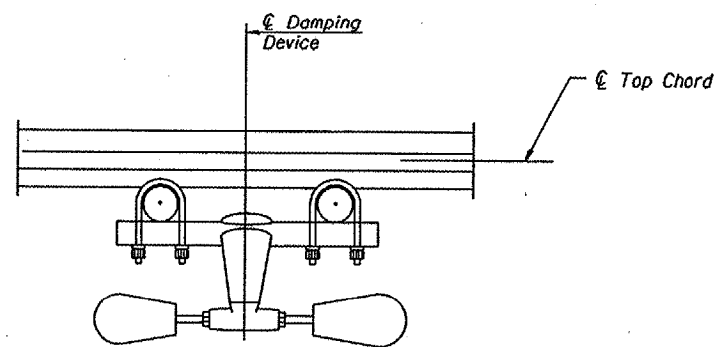
TRUSS DAMPING DEVICE CONNECTION DETAIL



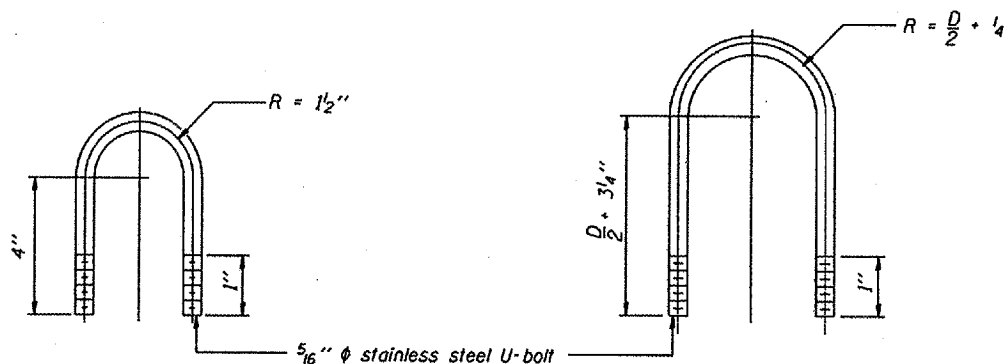
ELEVATION  
Aluminum Cantilever Sign Structure

GENERAL NOTES

- Damper: One damper per truss. (31 lbs. Stockbridge-Type Aluminum-29" minimum between ends of weights)
- Materials: Aluminum tubes shall be ASTM B221 alloy 6061 temper T6



SECTION A-A



DAMPING DEVICE MOUNTING TUBE U-BOLT DETAIL  
(Typical)

TOP CHORD TO CROSS TUBE U-BOLT DETAIL  
(Typical)

DESIGNED -	20
CHECKED -	EXAMINED
DRAWN -	PASSED
CHECKED -	ENGINEER OF BRIDGES AND STRUCTURES

OSC-A-D 6/01/2007

CANTILEVER SIGN STRUCTURE DAMPING DEVICE

District 4  
Overhead Sign Structure  
Repair & Replacement