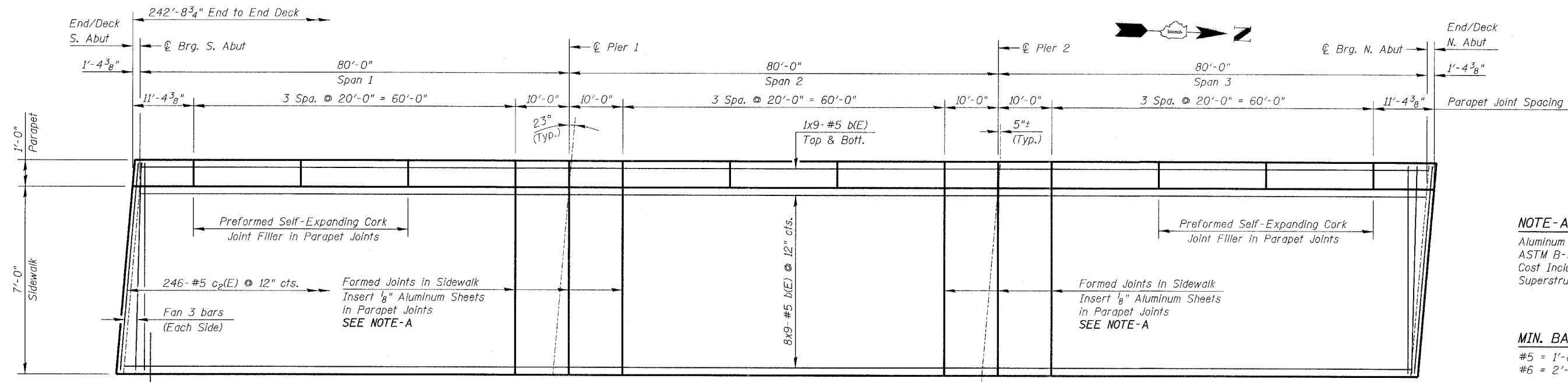


INSIDE ELEVATION OF PARAPET
(West as shown, East similar)

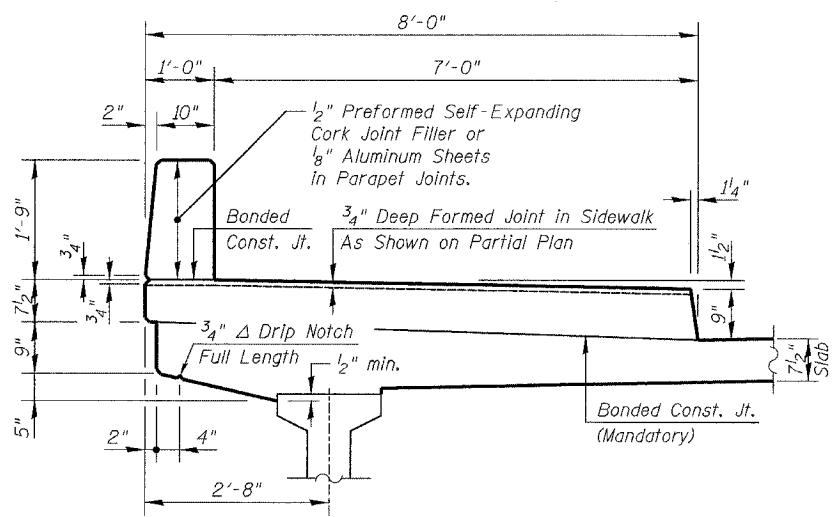


SIDEWALK - PARTIAL PLAN
(West as shown, East similar)

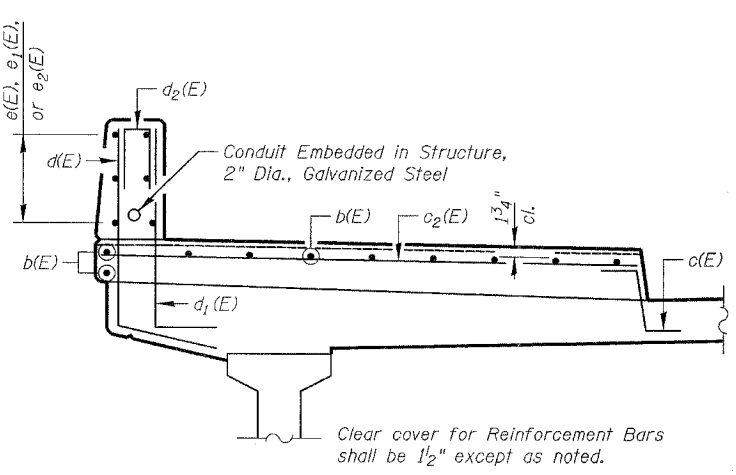
NOTE-A:
Aluminum Sheet shall be ASTM B-209M alloy 3003-H14. Cost Included with "Concrete Superstructure".

MIN. BAR LAPS:
#5 = 1'-8"
#6 = 2'-0"

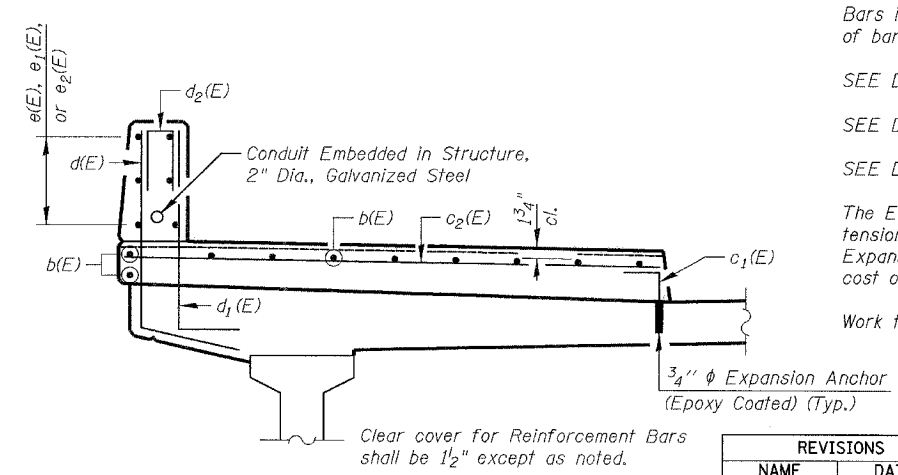
Notes:
Reinforcement Bars designated (E) shall be epoxy coated.
Bars indicated thus 20 x 3-#5 etc. indicates 20 lines of bars with 3 lengths per line.
SEE DWG. S-16 for Cork Filled Parapet Joint Detail.
SEE DWG. S-16 for Deck Misc. Details and Bill of Materials.
SEE DWG. S-18 for Bridge Railing Details
The Expansion Anchors shall have a minimum proof load tension of 7,500 lbs. The cost of furnishing and installing Expansion Anchors (Epoxy Coated) shall be included in the cost of "Reinforcement Bars, Epoxy Coated".
Work this DWG. with DWGS. S-12, S-13, S-15 & S-16.



SECTION THRU SIDEWALK & PARAPET
(Showing Dimensions)



SECTION THRU EAST SIDEWALK & PARAPET
(Showing Reinforcement Bars)



SECTION THRU WEST SIDEWALK & PARAPET
(Showing Reinforcement Bars)

REVISIONS	
NAME	DATE

DWG. S-14 of 34

ILLINOIS DEPARTMENT OF TRANSPORTATION
SIDEWALK & PARAPET DETAILS
ILLINOIS ROUTE 59 OVER DuPAGE RIVER
FAP ROUTE 338 SECTION 114 BY-R-1
WILL COUNTY
STATION 3209+85.00
STRUCTURE NUMBER 099-0339

SCALE: NONE DESIGNED BY: SB DRAWN BY: TL
DATE: 08/17/07 CHECKED BY: WFM CHECKED BY: SB

FILE: L:\6632\1\Code\Structures\Bridges\663201-50339-DK03.dgn