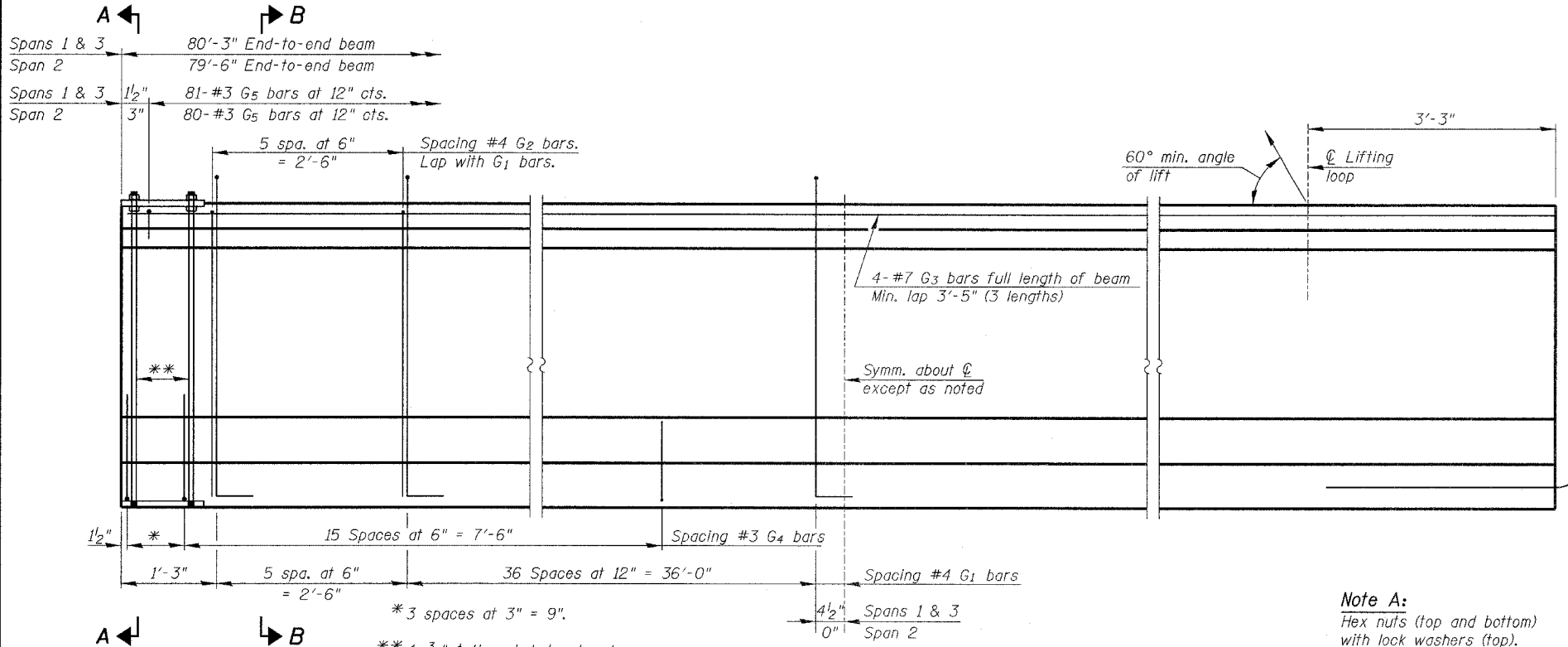
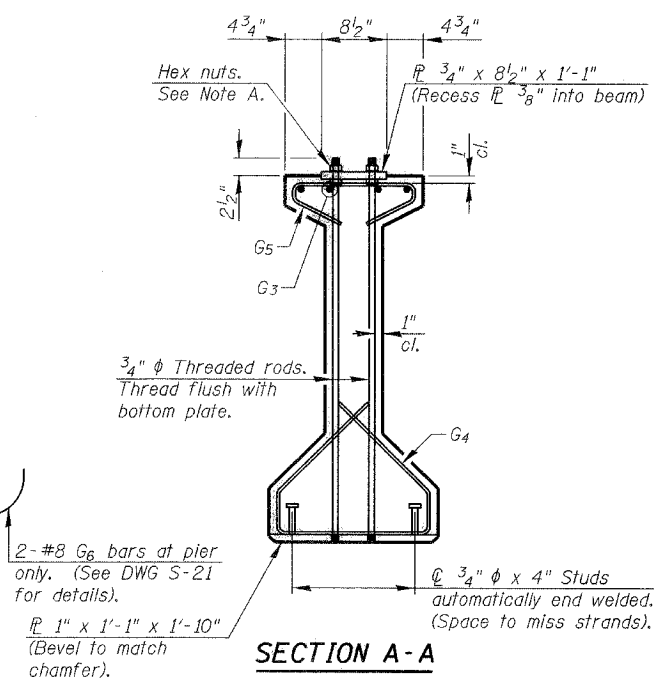


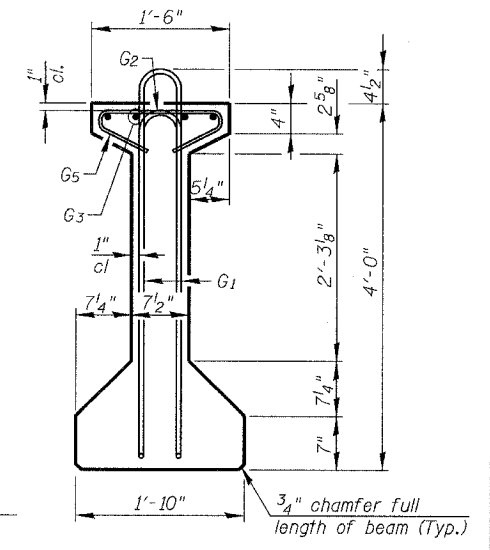
CONTRACT NO. 60C19		FAP RATE	SECTION	COUNTY	TOTAL SHEETS	SHEET NO.
		338	114 BY-R-1	WILL.	139	79
STA.		TO STA.				
FED. ROAD DIST. NO.		ILLINOIS		FED. AID PROJECT		



**ELEVATION OF BEAM**  
(Showing reinforcement & dimensions)



**SECTION A-A**



**SECTION B-B**

**Note A:**  
Hex nuts (top and bottom) with lock washers (top). Only tighten sufficiently to compress lock washers.

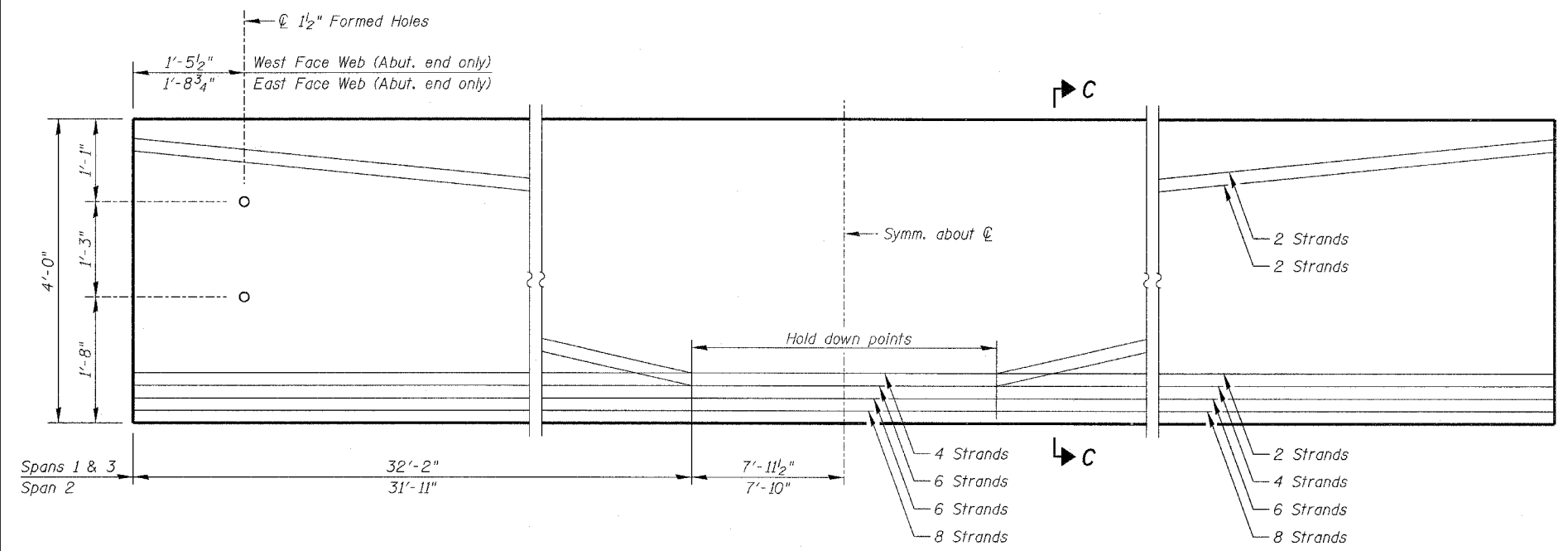
**BAR LIST ONE BEAM ONLY**  
(At Spans 1 or 3)

Bar	No.	Size	Length	Shape
G1	84	#4	9'-6"	∩L
G2	12	#4	7'-11"	∩
G3	12	#7	30'-1"	—
G4	38	#3	5'-3"	∩
G5	81	#3	2'-9"	∩
G6	2	#8	3'-9"	∩

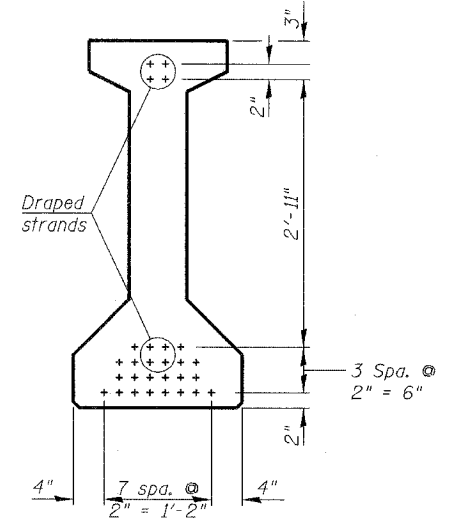
**BAR LIST ONE BEAM ONLY**  
(At Span 2)

Bar	No.	Size	Length	Shape
G1	83	#4	9'-6"	∩L
G2	12	#4	7'-11"	∩
G3	12	#7	28'-9"	—
G4	38	#3	5'-3"	∩
G5	80	#3	2'-9"	∩
G6	4	#8	3'-9"	∩

**Notes:**  
See DWG. S-21 for additional details and Bill of Material.  
Required release strength, f'ci, shall be 5000 psi.



**ELEVATION OF BEAM**  
(Showing prestressing steel)



**SECTION C-C**

DWG. S-20 of 34

REVISIONS		ILLINOIS DEPARTMENT OF TRANSPORTATION <b>48" PPC I-BEAM</b> ILLINOIS ROUTE 59 OVER DuPAGE RIVER FAP ROUTE 338 SECTION 114 BY-R-1 WILL COUNTY STATION 3209+85.00 STRUCTURE NUMBER 099-0339
NAME	DATE	
		SCALE: NONE DESIGNED BY: SB DRAWN BY: TL DATE: 08/17/07 CHECKED BY: WPM CHECKED BY: SB

**FOR INFORMATION ONLY**

FILE: L:\6632\01\Cad\Structures\Roadway\_Structures\Bridges\663201\SO339-BM02.dgn