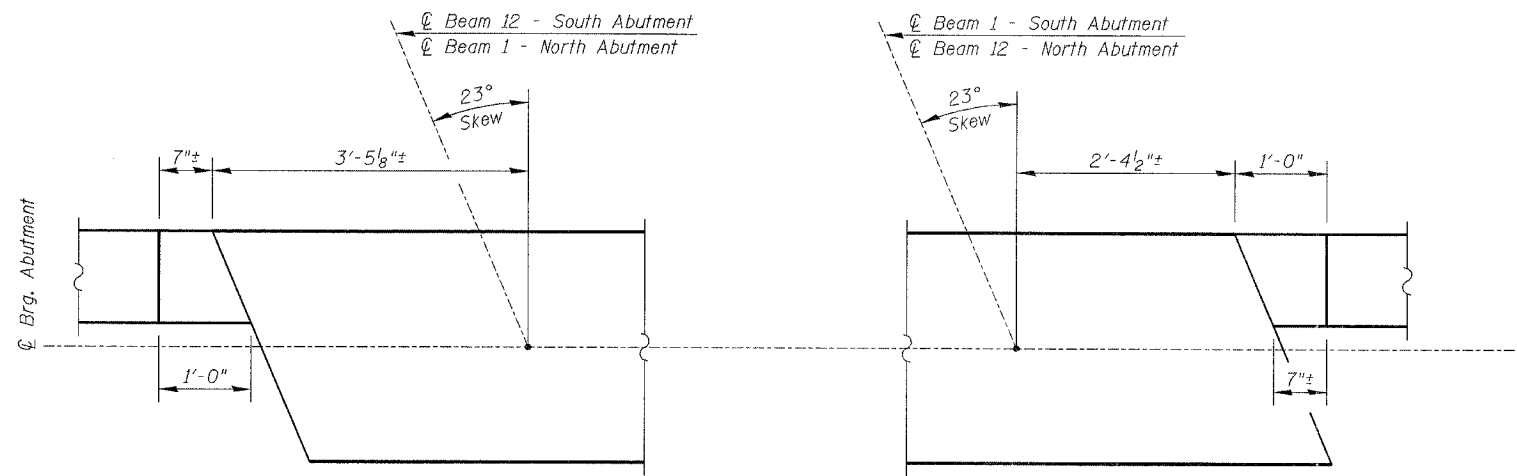
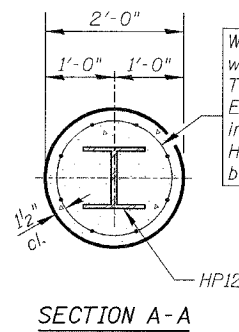
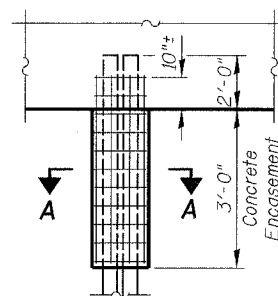


FAP R/FE	SECTION	COUNTY	TOTAL SHEETS	SHEET NO
338	114 BY-R-1	WILL	139	84
STA.		TO STA.		
FED. ROAD DIST. NO.	BLINDS	FED. AID PROJECT		



PLAN - ABUTMENT CORNER DETAILS



Welded wire fabric 6x6-W4.0 x W4.0 weighing 58#/100 sq. ft. The cost of Excavation, Concrete Encasement and Reinforcement is included with "Furnishing Steel Piles HP 12x74". Forms for Encasement may be omitted when soil conditions permit.

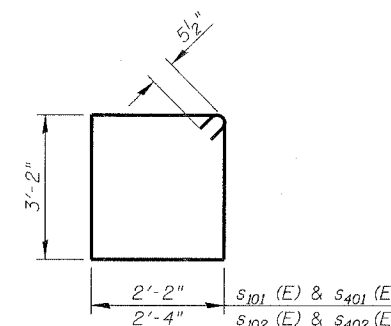
PILE ENCASEMENT DETAIL

SOUTH ABUTMENT BILL OF MATERIAL

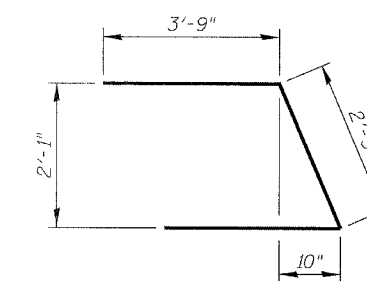
BAR	NO.	SIZE	LENGTH	SHAPE
h101(E)	2	#5	31'-2"	—
h102(E)	8	#5	21'-6"	—
h103(E)	4	#5	26'-0"	—
h104(E)	20	#7	14'-0"	—
h105(E)	32	#5	13'-6"	—
p101(E)	12	#7	30'-3"	—
p102(E)	24	#7	33'-8"	—
s101(E)	90	#4	11'-7"	□
s102(E)	4	#4	11'-11"	□
u101(E)	8	#6	9'-9"	┌
u102(E)	79	#5	6'-2"	┌
v101(E)	164	#5	4'-4"	—
v102(E)	11	#5	13'-2"	—
v103(E)	11	#5	14'-2"	—
Reinforcement Bars, Epoxy Coated			LB	6180
Concrete Structures			Cu. Yd.	43.0
Structure Excavation			Cu. Yd.	385
Furnishing Steel Piles HP 12x74			Foot	374
Driving Piles			Foot	374
Test Pile Steel HP12x74			Each	1

NORTH ABUTMENT BILL OF MATERIAL

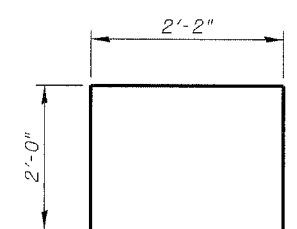
BAR	NO.	SIZE	LENGTH	SHAPE
h401(E)	2	#5	31'-2"	—
h402(E)	8	#5	21'-6"	—
h403(E)	4	#5	26'-0"	—
h404(E)	20	#7	14'-0"	—
h405(E)	32	#5	13'-6"	—
p401(E)	12	#7	30'-3"	—
p402(E)	24	#7	33'-8"	—
s401(E)	90	#4	11'-7"	□
s402(E)	4	#4	11'-11"	□
u401(E)	8	#6	9'-9"	┌
u402(E)	79	#5	6'-2"	┌
v401(E)	164	#5	4'-4"	—
v402(E)	11	#5	13'-2"	—
v403(E)	11	#5	14'-2"	—
Reinforcement Bars, Epoxy Coated			LB	6180
Concrete Structures			Cu. Yd.	43.0
Structure Excavation			Cu. Yd.	385
Furnishing Steel Piles HP 12x74			Foot	396
Driving Piles			Foot	396
Test Pile Steel HP12x74			Each	1



BARS s₁₀₁(E) & s₁₀₂(E)
BARS s₄₀₁(E) & s₄₀₂(E)



BARS u₁₀₁(E)
BARS u₄₀₁(E)



BARS u₁₀₂(E)
BARS u₄₀₂(E)

Notes:

Work this DWG. with DWG. S-23 & S-24.

Reinforcement bars designated (E) shall be epoxy coated.

REVISIONS	
NAME	DATE

ILLINOIS DEPARTMENT OF TRANSPORTATION
SOUTH & NORTH ABUT. MISC. DETAILS
 ILLINOIS ROUTE 59 OVER DUPAGE RIVER
 FAP ROUTE 338 SECTION 114 BY-R-1
 WILL COUNTY
 STATION 3209+85.00
 STRUCTURE NUMBER 099-0339
 SCALE: NONE DESIGNED BY: TB DRAWN BY: TL
 DATE: 08/17/07 CHECKED BY: WPM CHECKED BY: TB