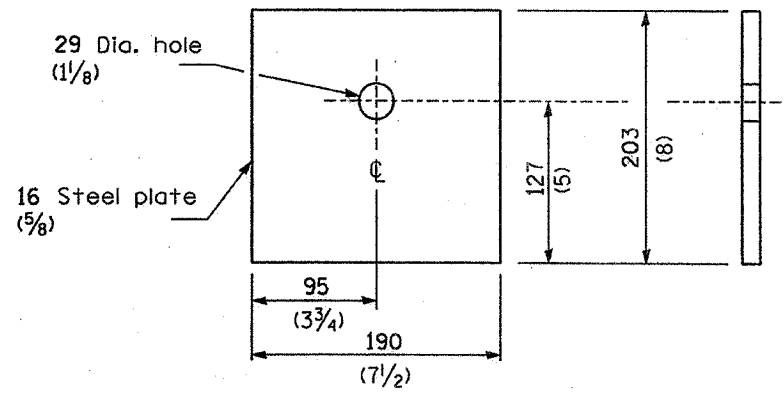
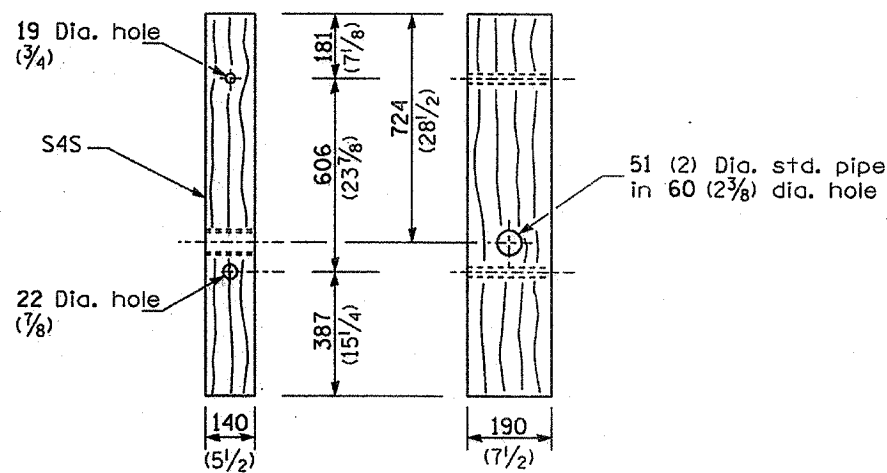


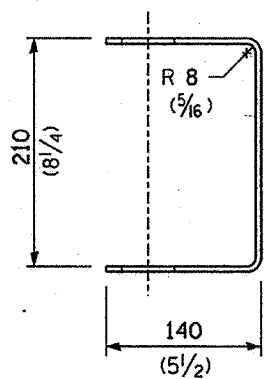
FAP NO.	SECTION	COUNTY	TOTAL SHEETS	SHEET NO.
338	114 BY-R-1	WILL	139	108
STA.		TO STA.		
FID. ROAD DIST. NO.		ILLINOIS FAP 338 (IL RTE. 59)		



BEARING PLATE K

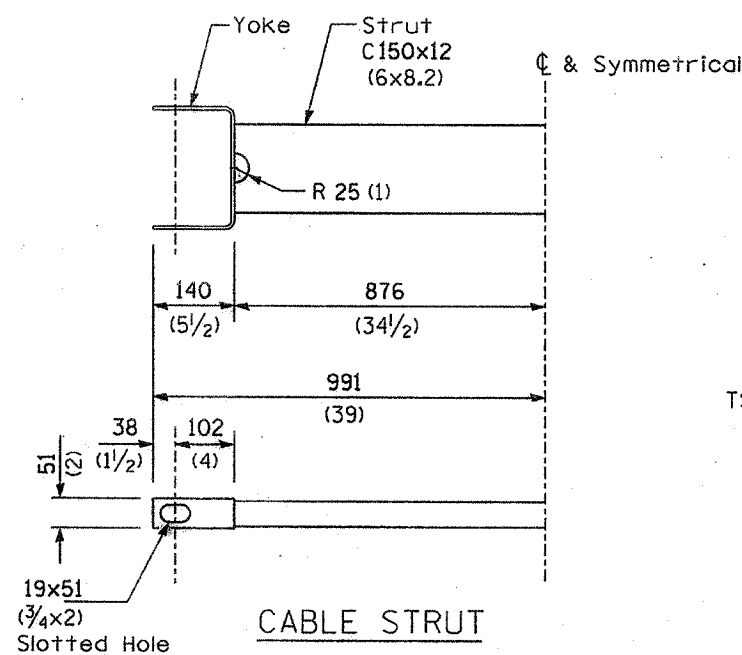


WOOD POST

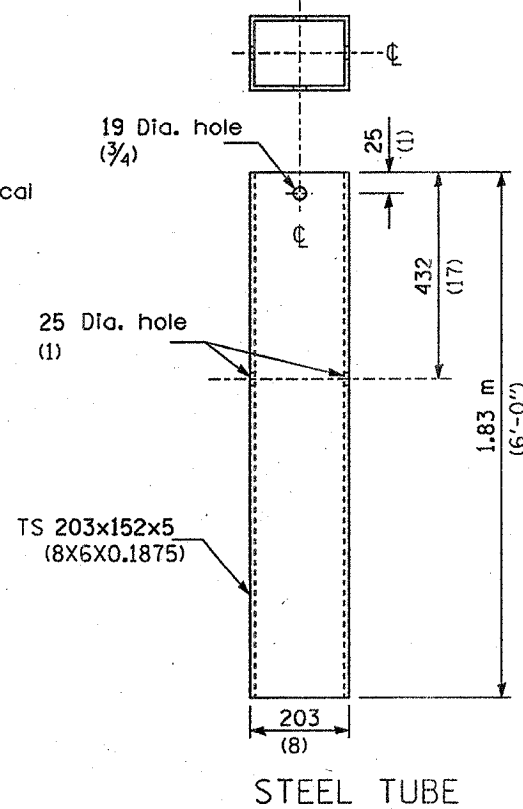


YOKE

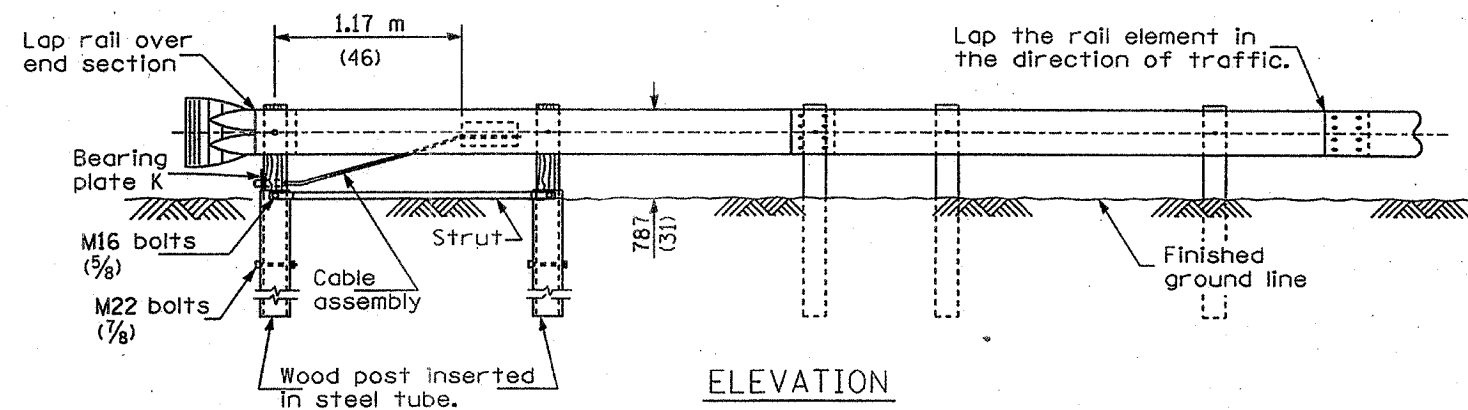
5 (3/16) thick steel



CABLE STRUT



STEEL TUBE



ELEVATION

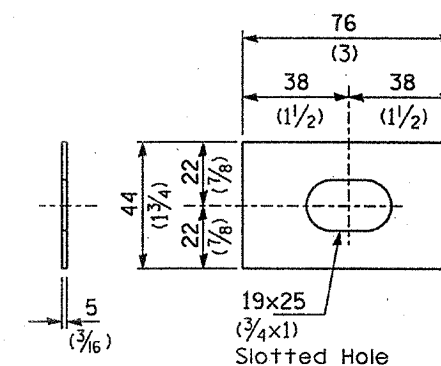
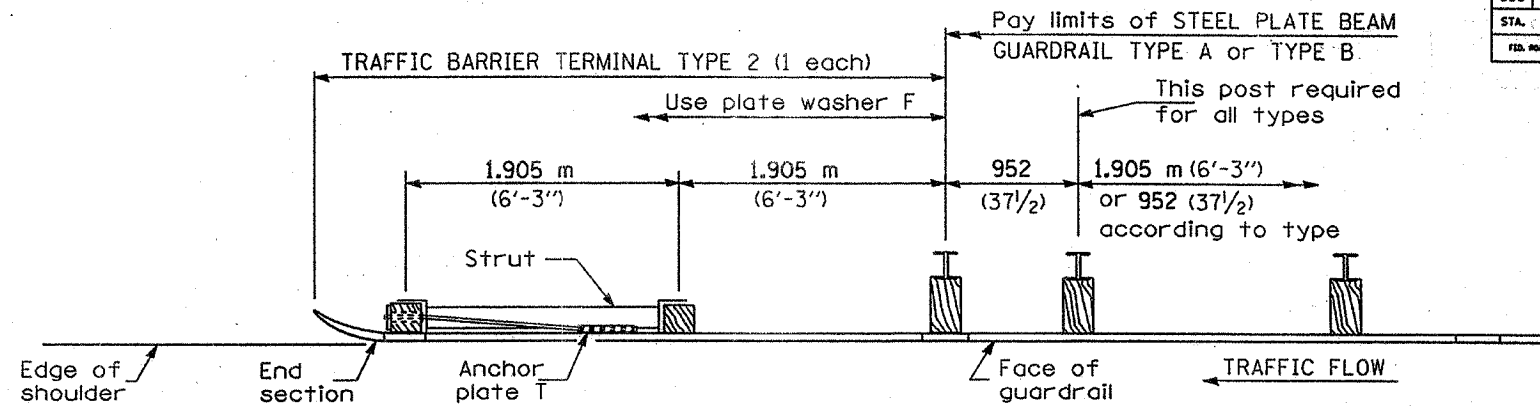


PLATE WASHER F



PLAN

GENERAL NOTES

See Standard 630001 for details of guardrail not shown.

The bearing plate K shall be held in position by (2) two eight penny nails driven into the post and bent over the top of the plate.

All dimensions are in millimeters (inches) unless otherwise shown.

TRAFFIC BARRIER TERMINAL, TYPE 2

DETAIL