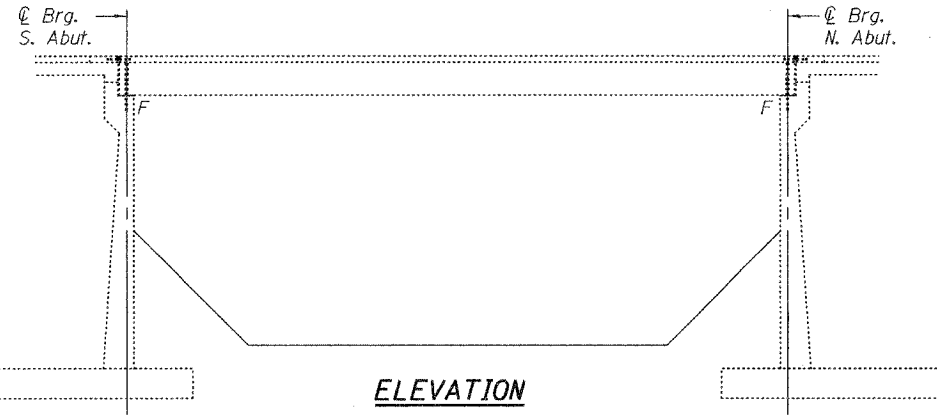


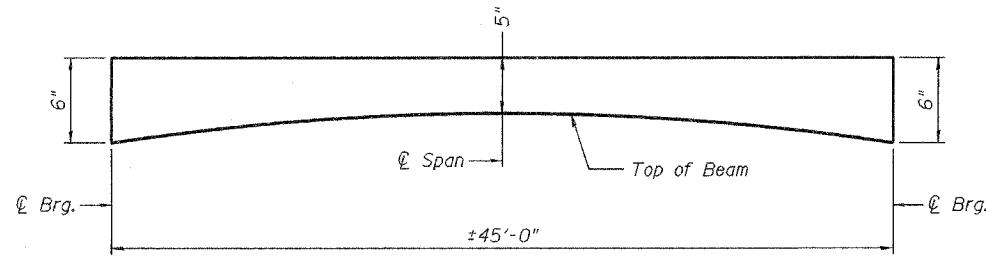
STATE OF ILLINOIS
DEPARTMENT OF TRANSPORTATION

ROUTE NO.	SECTION	COUNTY	SHEETS	SHEET NO.
		Cook	11	6
3 SHEETS				

Contract Number: 60D24



ELEVATION



CONCRETE WEARING SURFACE PROFILE

DESIGN STRESSES

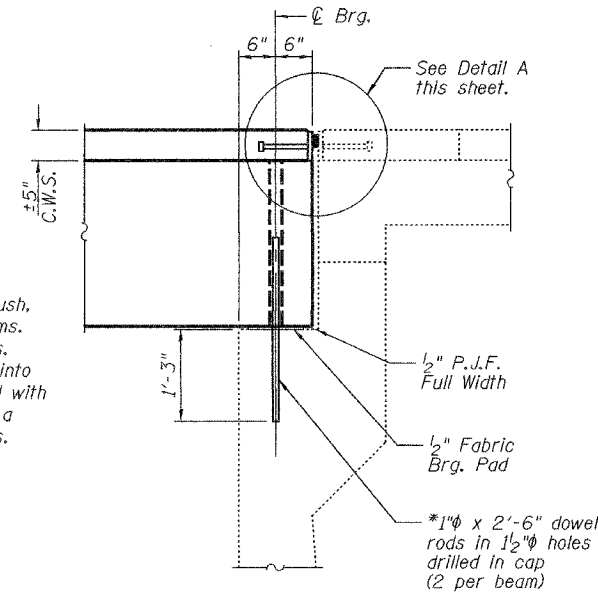
FIELD UNITS

$f'_c = 3,500$ psi
 $f_y = 60,000$ psi (Reinforcement)

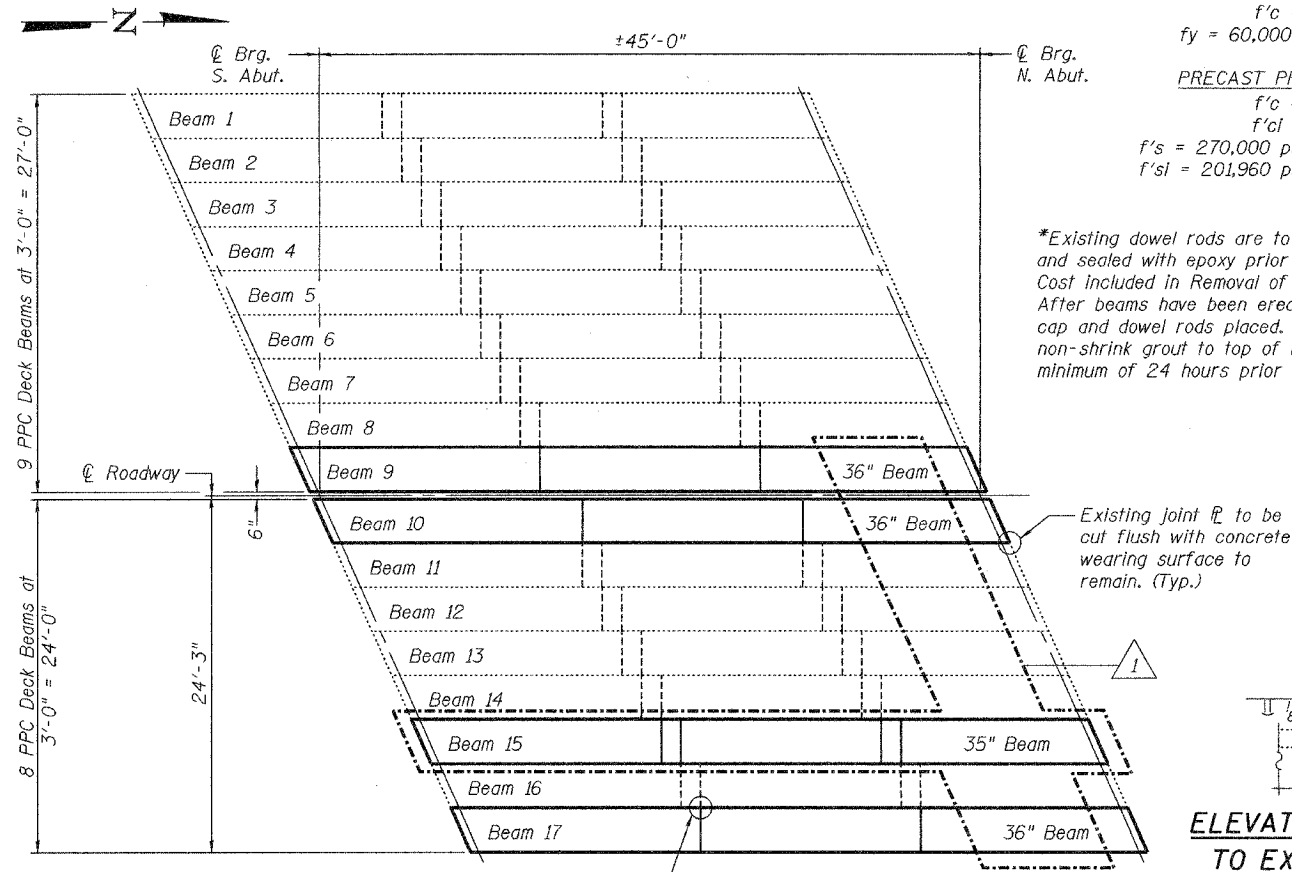
PRECAST PRESTRESSED UNITS

$f'_c = 5,000$ psi
 $f'_{ci} = 4,000$ psi
 $f'_s = 270,000$ psi ($\frac{1}{2}$ " ϕ low lax strands)
 $f'_{si} = 201,960$ psi ($\frac{1}{2}$ " ϕ low lax strands)

*Existing dowel rods are to be burned off, ground flush, and sealed with epoxy prior to placement of new beams. Cost included in Removal of Existing PPC Deck Beams. After beams have been erected holes shall be drilled into cap and dowel rods placed. Dowel holes shall be filled with non-shrink grout to top of beam and allowed to cure a minimum of 24 hours prior to grouting the shear keys.

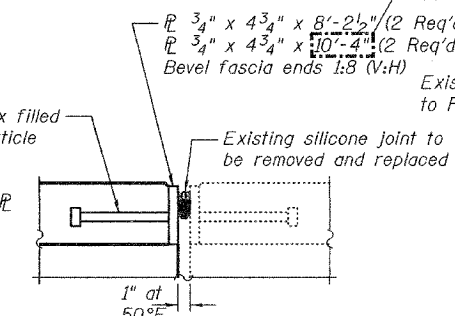
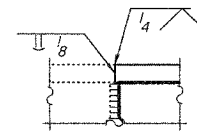


TYPICAL ABUTMENT SECTION

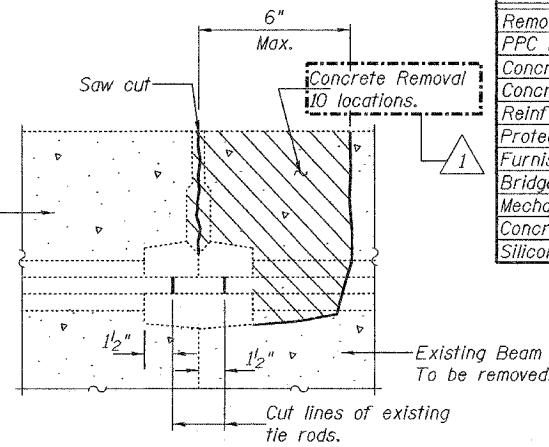


PLAN

ELEVATION NEW JOINT R TO EXISTING JOINT R



DETAIL A
TYPICAL JOINT SECTION



BEAM REMOVAL DETAIL
AT TRANSVERSE TIES

TOTAL BILL OF MATERIAL

ITEM	UNIT	QUANTITY
Removal of Existing PPC Deck Beams	Sq. Ft.	553.1
PPC Deck Beams (27" Depth)	Sq. Ft.	549.2
Concrete Wearing Surface 5"	Sq. Yd.	77.6
Concrete Superstructure	Cu. Yd.	5.0
Reinforcement Bars Epoxy Coated	Pound	12,450
Protective Coat	Sq. Yd.	112.3
Furnishing and Erecting Structural Steel	Pound	500
Bridge Deck Grooving	Sq. Yd.	70.4
Mechanical Splice	Each	135
Concrete Removal	Cu. Yd.	8.2
Silicone Joint Sealer	Foot	37

PLAN AND ELEVATION
F.A.U. RT. 3597
COOK COUNTY
SN 016-0771

DESIGNED	SJB
CHECKED	Adrian I. Holloway
DRAWN	SJB
CHECKED	SJB AT#

September 17, 2007
EXAMINED
PASSED



Expires: November 30, 2008