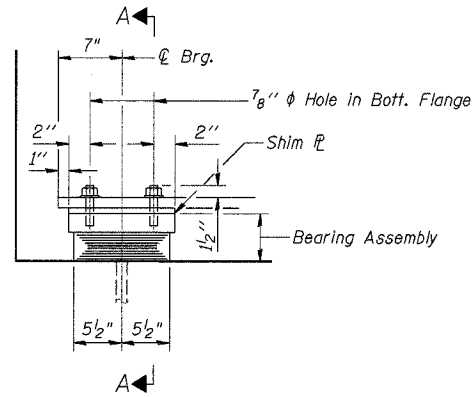


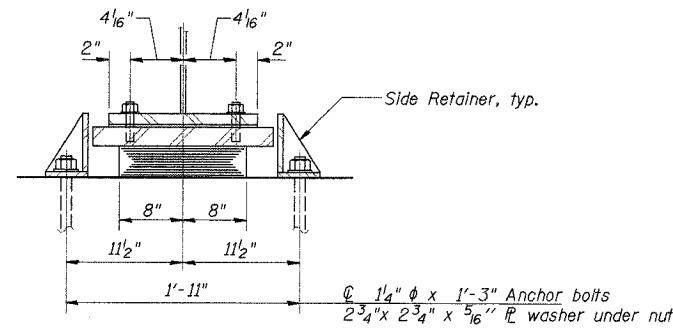
ROUTE NO.	SECTION	COUNTY	TOTAL SHEETS	SHEET NO.
533	119R-2-1-1	McHenry	13	11
DESIGNED BY:	DRAWN BY:	CHECKED BY:	DATE:	

SHEET NO. 9 OF 11 SHEETS

Contract #60D58

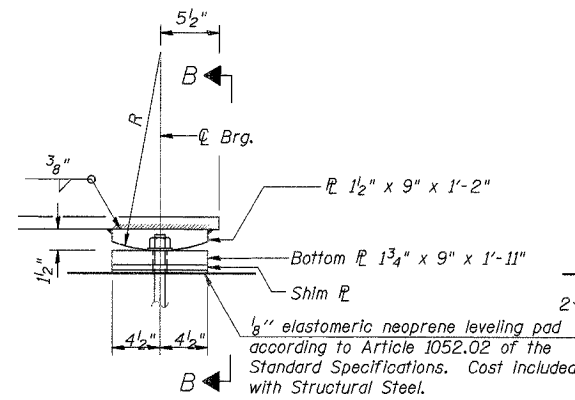


ELEVATION AT ABUT.

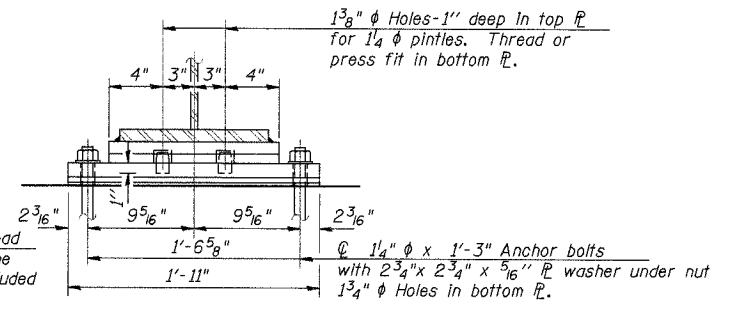


SECTION A-A

TYPE I ELASTOMERIC EXP. BRG. AT W. ABUT.

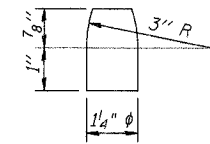


ELEVATION AT ABUT.

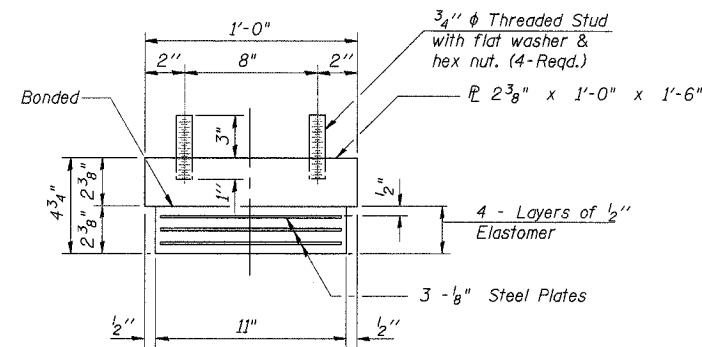


SECTION B-B

FIXED BEARING AT E. ABUT.



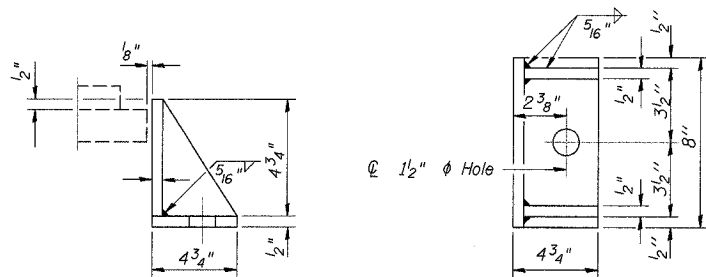
PINTLE



BEARING ASSEMBLY

Notes:
 Side retainers and other steel members required for the bearing assembly shall be included in the cost of Furnishing Elastomeric Bearing Assembly, Type I.
 The structural steel plates of the Bearing Assembly shall conform to the requirements of AASHTO M 270 Grade 50W.
 Anchor bolts not included in this Contract.

Note:
 Shim plates shall not be placed under Bearing Assembly.



SIDE RETAINER
 Equivalent rolled angle with stiffeners will be allowed in lieu of welded plates.

BILL OF MATERIAL

Item	Unit	Total
Furnishing Elastomeric Bearing Assembly, Type I	EACH	6

BEARING DETAILS

IL Route 176 over the Kishwaukee River
 F.A.P. RTE 533, SECTION 119R-2-1-1
 McHENRY COUNTY
 STATION 10+00.00
 S.N. 056-0078

DATE: 08-17-07
 GRAEF, ANHALT, SCHLOEMER & ASSOCIATES INC
 CHICAGO ILLINOIS

N:\06262006\p101\SteelFab\PreFinal\p101\p101.dwg
 8/17/2007 3:08:25 PM
 S.D.H.