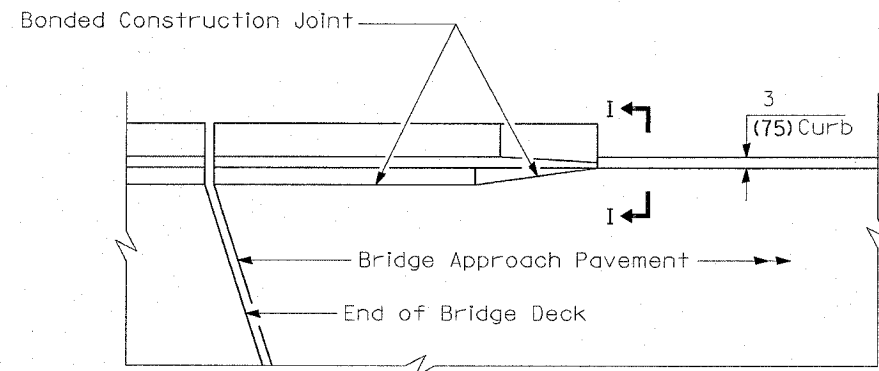
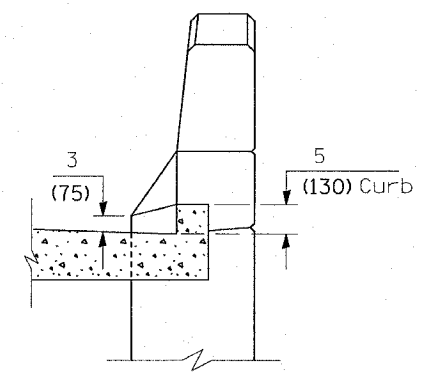


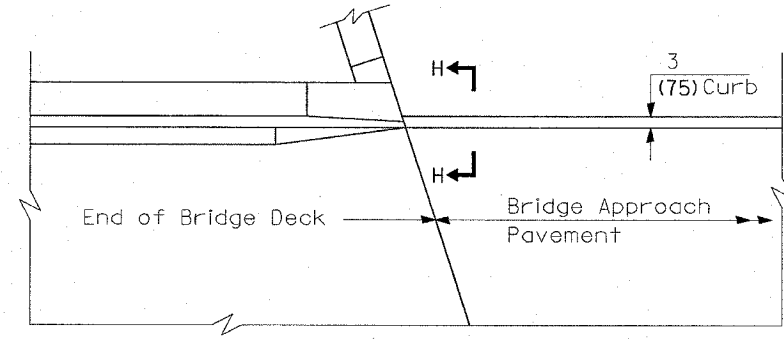
F.A.P. RTE.	SECTION	COUNTY	TOTAL SHEETS	SHEET NO.
370	0103-I-2	COOK	27	22
STA.		TO STA.		
FED. ROAD DIST. NO. 1		ILLINOIS	FED. AID PROJECT	



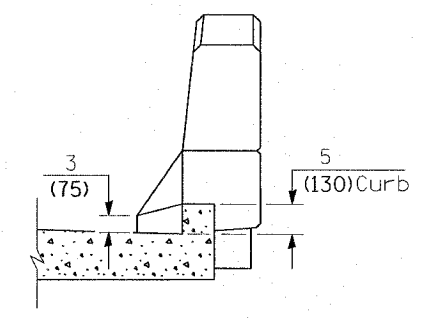
PARAPET TO CURB TRANSITION
PILE BENT ABUTMENT



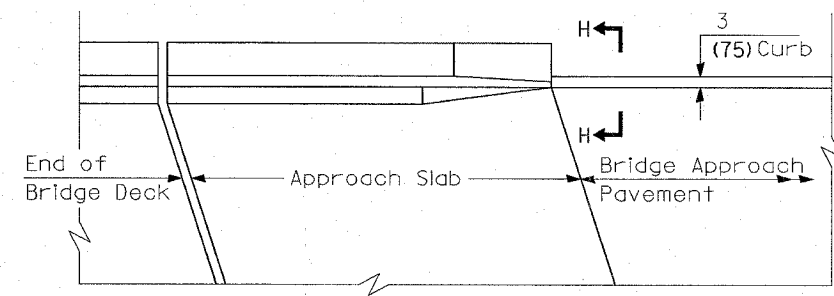
SECTION I - I



PARAPET TO CURB TRANSITION
INTEGRAL ABUTMENT



SECTION H - H



PARAPET TO CURB TRANSITION
VAULTED ABUTMENT

PLOT DATE = 8/16/2007
 PLOT SCALE = 1/8" = 1'-0"
 USER NAME = driveksgn

REVISIONS	
NAME	DATE

ILLINOIS DEPARTMENT OF TRANSPORTATION
 GREGORY STREET/ WESTERN AVE.
 BRIDGE APPROACH PAVEMENT
 DETAILS

SCALE: VERT. 1" = 4'-0"
 HORIZ. 1" = 10'-0"
 DATE
 DRAWN BY
 CHECKED BY