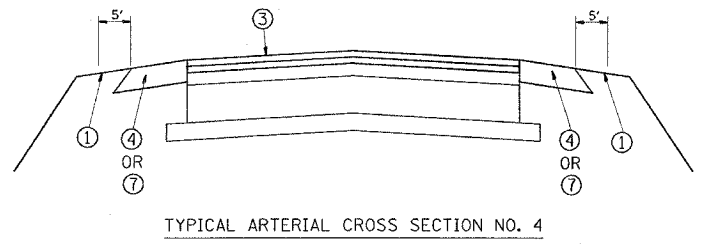
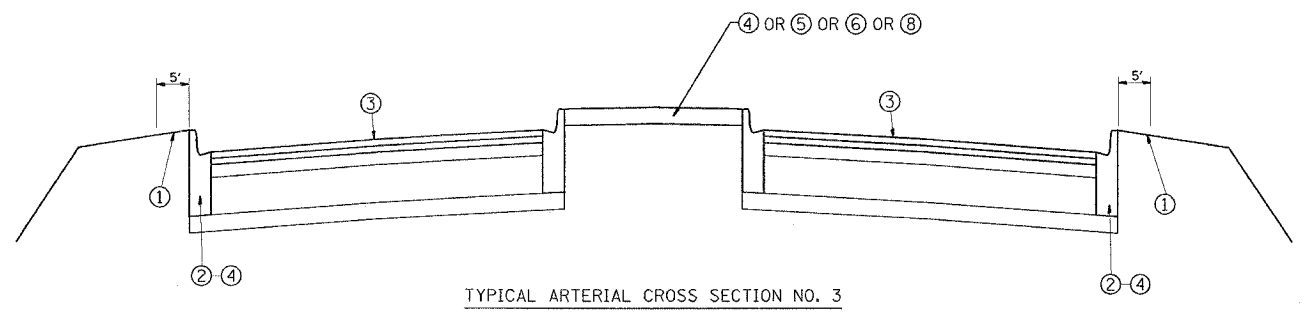
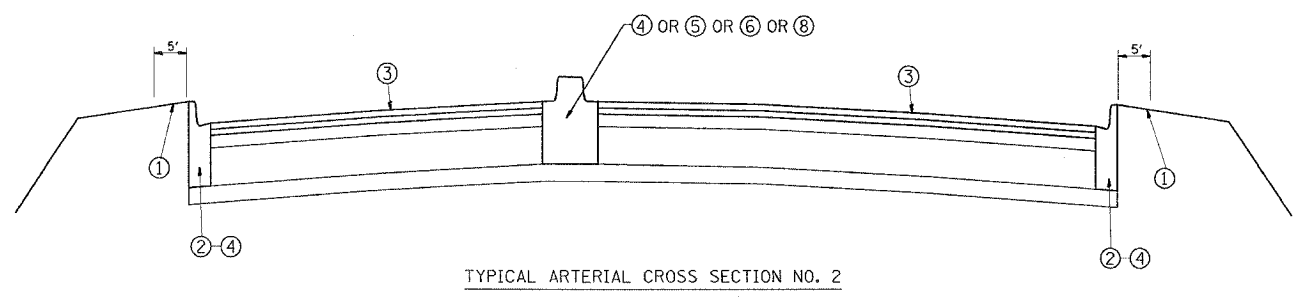
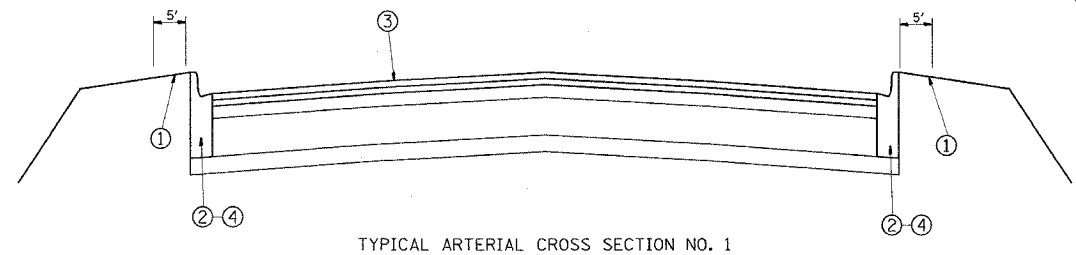
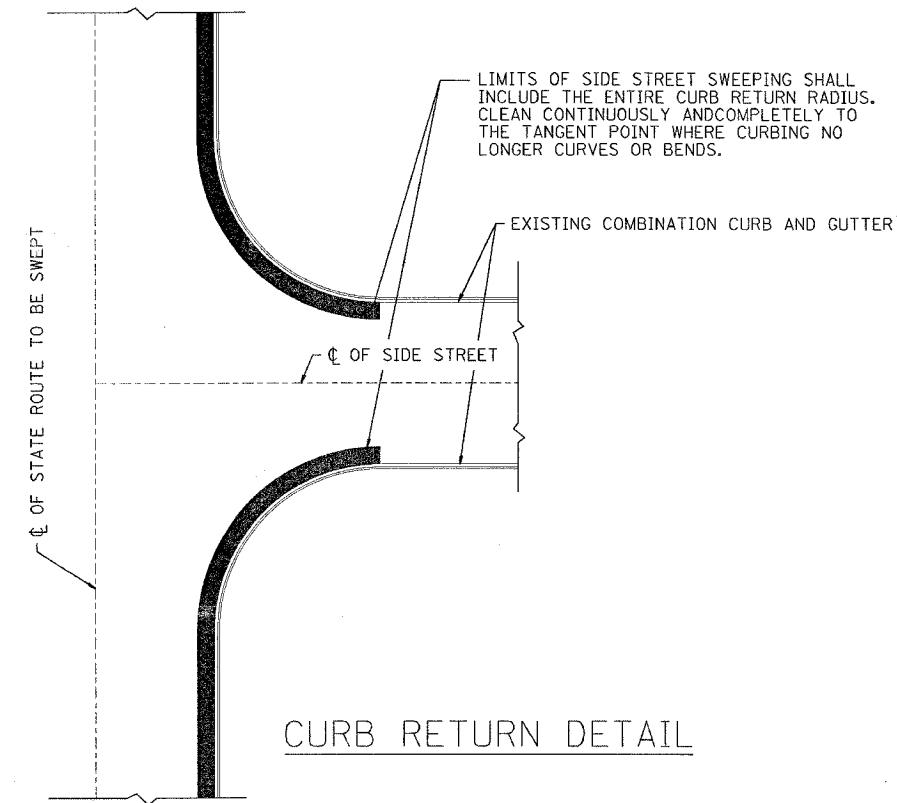


*COOK, DU PAGE, KANE, LAKE, MC HENRY AND WILL



- LEGEND**
- ① AREA OF RUBBISH REMOVAL
 - ② CURB AND GUTTER
 - ③ TRAVELED ROADWAY
 - ④ STABILIZED SHOULDER OR MEDIAN
 - ⑤ STEEL PLATE GUARD
 - ⑥ CONCRETE BARRIER
 - ⑦ AGGREGATE SHOULDER (TO BE CLEANED BY HAND TOOLS OF DEBRIS/LITTER)
 - ⑧ RAISED CONCRETE MEDIAN

NOTE:
SLOPE WALLS UNDER BRIDGES ARE NOT INCLUDED IN AREAS TO BE CLEANED.

REVISIONS	
NAME	DATE

ILLINOIS DEPARTMENT OF TRANSPORTATION
EXPRESSWAY AND ARTERIAL HIGHWAY
CLEANING (SWEEPING)

**TYPICAL
ARTERIAL CROSS SECTIONS
AND CURB RETURN DETAIL**

SCALE: VERT. _____
HORIZ. _____

DATE _____ DRAWN BY _____
CHECKED BY _____

PLOT DATE = 9/24/2007
FILE NAME = c:\p\projects\127988\sweping\contract\2008.dgn
PLOT SCALE = 50,0000' / IN.
USER NAME = mcljlp