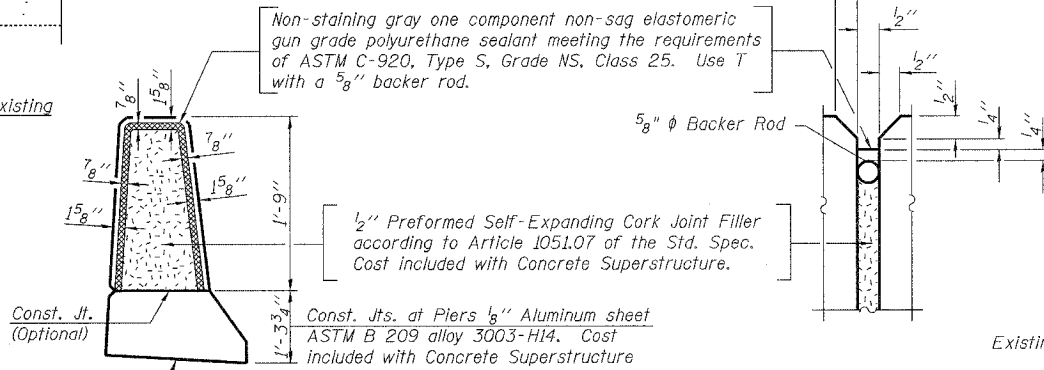
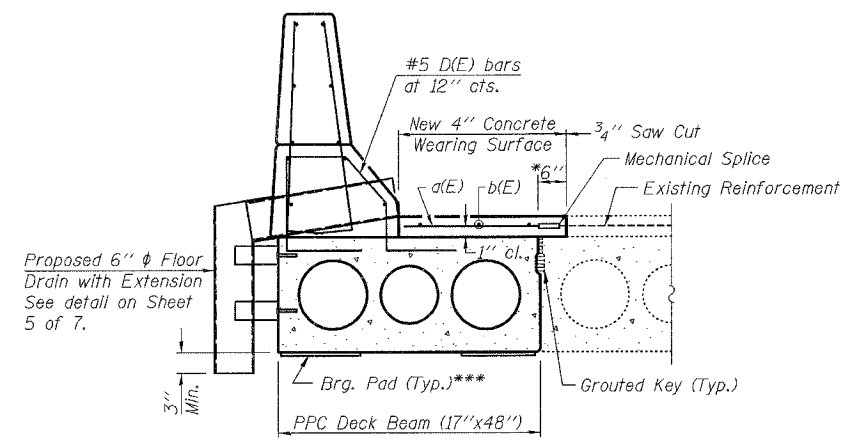


**BEAM REMOVAL DETAIL AT TRANSVERSE TIES**  
Cost included with P.P.C. Deck Beam Removal

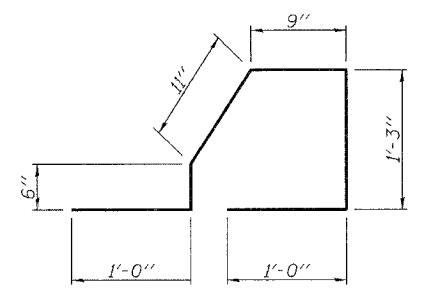


**PARAPET JOINT DETAILS**



**PARTIAL CROSS SECTION - BEAM 9**  
(Looking West)

\*\*\* Expansion Bearing Pads to be used at abutment end of Beams 6 and 9.

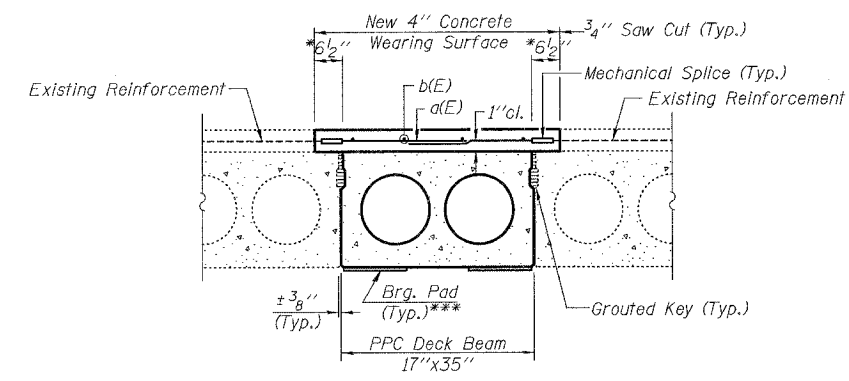


**D(E) Bar**

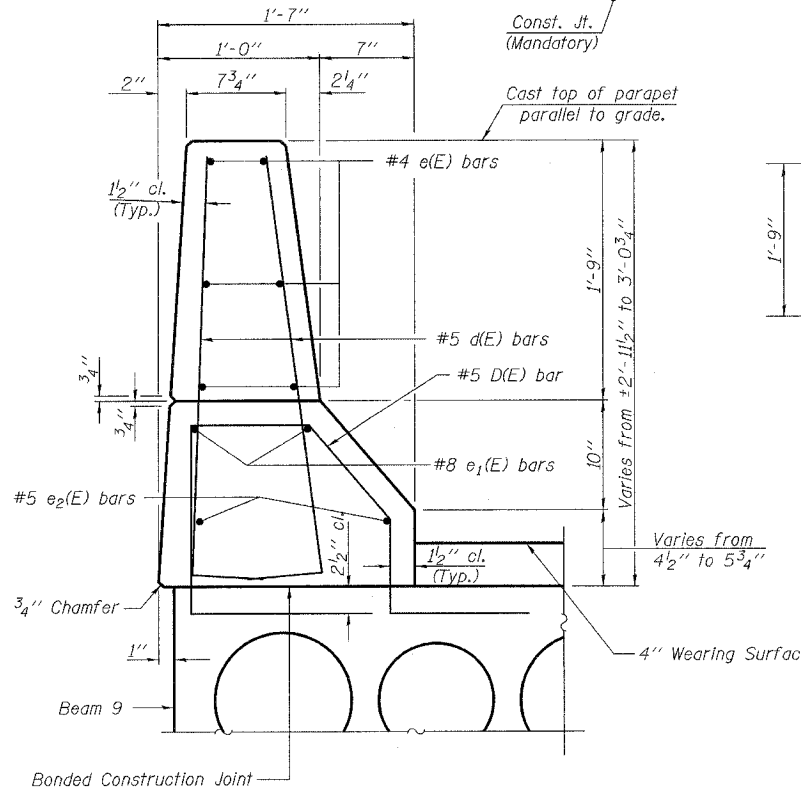
**BILL OF MATERIAL**

| Bar                              | No. | Size | Length   | Shape |
|----------------------------------|-----|------|----------|-------|
| a(E)                             | 360 | #4   | 2'-4"    |       |
| a1(E)                            | 80  | #4   | 2'-10"   |       |
| a2(E)                            | 6   | #4   | 3'-4"    |       |
| a3(E)                            | 2   | #4   | 5'-0"    |       |
| a4(E)                            | 4   | #4   | 2'-5"    |       |
| a5(E)                            | 3   | #5   | 2'-10"   |       |
| a6(E)                            | 2   | #4   | 2'-6"    |       |
| a7(E)                            | 3   | #5   | 3'-10"   |       |
| b(E)                             | 15  | #4   | 39'-5"   |       |
| b1(E)                            | 9   | #4   | 40'-5"   |       |
| d(E)                             | 80  | #5   | 3'-3"    |       |
| e(E)                             | 12  | #4   | 19'-7"   |       |
| e1(E)                            | 2   | #8   | 39'-5"   |       |
| e2(E)                            | 2   | #5   | 39'-5"   |       |
| Reinforcement Bars, Epoxy Coated |     |      | Lbs.     | 2130  |
| Concrete Superstructure          |     |      | Cu. Yds. | 4.6   |
| Concrete Removal                 |     |      | Cu. Yds. | 7.7   |
| Mechanical Splice                |     |      | Each     | 443   |

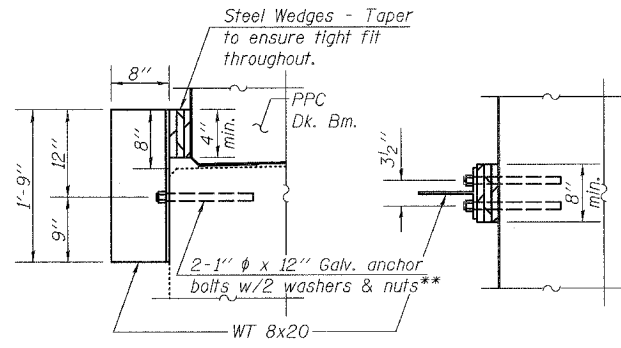
\*Removal of existing 4" Concrete Wearing Surface over beams to remain in place is included with Concrete Removal. Removal of wearing surface over beams to be removed is included with Removal of Existing P.P.C. Deck Beams.



**PARTIAL CROSS SECTION - BEAMS 6, 12, 15 & 21**  
(Looking West)



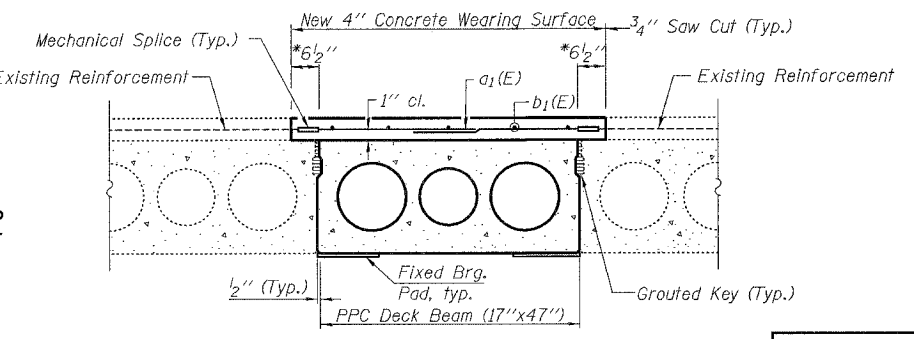
**SECTION THRU PARAPET AND CURB - SPAN 1**



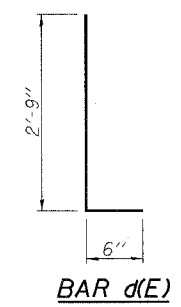
**SIDE RETAINER DETAIL**

\*\* Anchor bolts or approved threaded rod shall be placed in drilled holes and grouted in place in accordance with Article 584 of the Standard Specifications. Cost of retainer and accessories are included with Precast Prestressed Concrete Deck Beams.

**MIN. BAR LAP**  
#4 bar = 1'-8"



**PARTIAL CROSS SECTION - BEAM 26**  
(Looking West)



**BAR d(E)**

**NOTES:**

See Sheet 5 of 7 for Parapet Elevation and Floor Drain Detail.  
Existing Parapet Removal is included with Concrete Removal.  
Install side retainers at expansion end before grouting the shear keys.  
The side retainers shall be galvanized after shop fabrication according to AASHTO M 111 and ASTM A 385.  
After block-outs are poured and cured the retainer angles shall be removed. Anchor bolts may be left in place.  
Remove exposed portion of existing bearing pads under beams to remain and install new exterior bearing pads in those locations. Cost included with Asbestos Bearing Pad Removal.

|  |   |
|--|---|
| <p>Excellence through Ownership</p> <p>200 West Front Street<br/>Wheaton, IL 60187</p> | <p>ILLINOIS DEPARTMENT OF TRANSPORTATION</p> <p>SUPERSTRUCTURE DETAILS I<br/>U.S. ROUTE 52 OVER ELKHORN CREEK<br/>FAS RTE 2079 - OGLE COUNTY<br/>SECTION (16, 17, 18) RS-3 &amp; (16BR)M-1<br/>STATION 971+50.04<br/>STRUCTURE NO. 071-0070</p> |
|  | <p>DATE: 9/18/2007</p> <p>DRAWN BY JMT<br/>CHECKED BY BLB</p>   |