

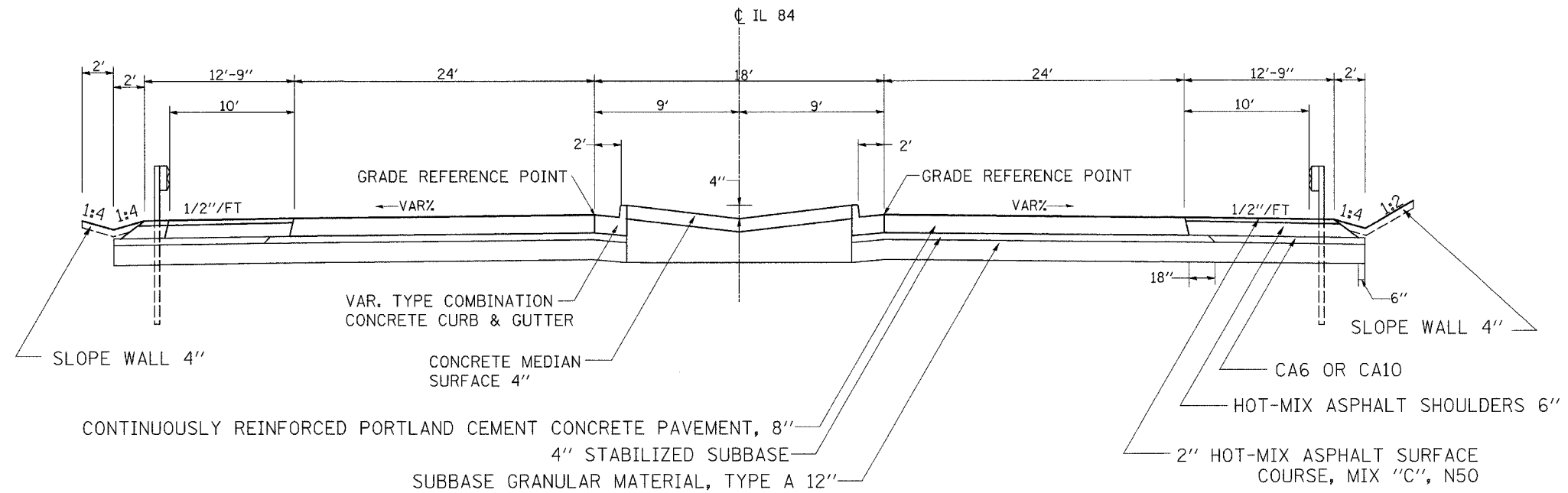
F.A.P. RTE.	SECTION	COUNTY	TOTAL SHEETS	SHEET NO.
595	5HBR	ROCK ISLAND	139	12
STA.		TO STA.		
FED. ROAD DIST. NO.		ILLINOIS FED. AID PROJECT		

PROPOSED STRUCTURE

SN 081-0169

(IL 92/L 5 OVER IL 84)

STA 136+42.5 - STA 139+89.8



STONE DITCH DETAIL
RAMP BD
STA 7+48.83 TO 16+07.5 RT

