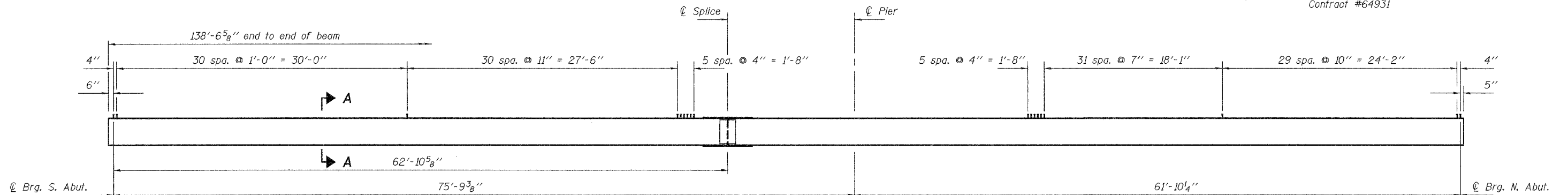


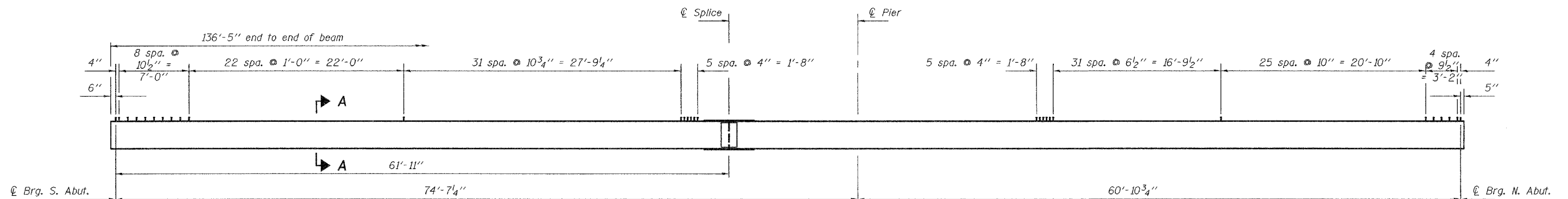
STATE OF ILLINOIS
DEPARTMENT OF TRANSPORTATION

ROUTE NO. F.A.P. 595	SECTION 5HBR	COUNTY Rock Island	TOTAL SHEETS 139	SHEET NO. 70	SHEET NO. 20 33 SHEETS
FED. ROAD DIST. NO. 7		ILLINOIS		FED. AID PROJECT	

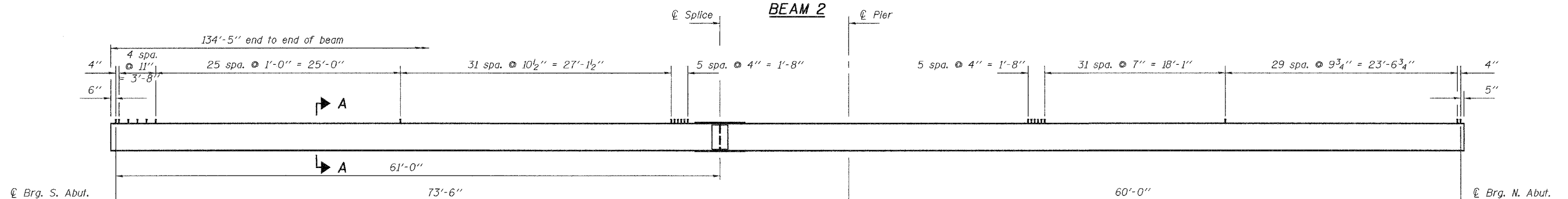
Contract #64931



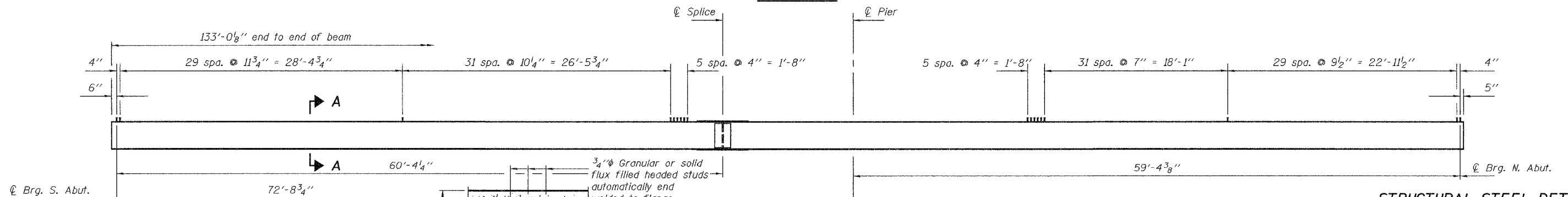
BEAM 1



BEAM 2

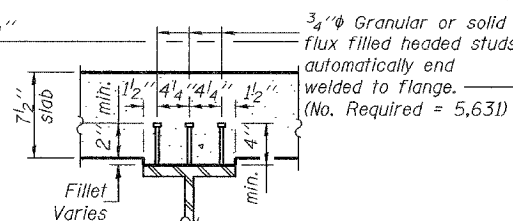


BEAM 3-13



BEAM 14

BEAM ELEVATION



SECTION A-A

DESIGNED	Dewey H. Coultas
CHECKED	Chad E. Hodel
DRAWN	W.D. Collins
CHECKED	D.H.C./C.E.H.

EXAMINED	October 5, 2007
	Thomas J. Damagala
PASSED	Ralph E. Anderson
	ENGINEER OF BRIDGES AND STRUCTURES

STRUCTURAL STEEL DETAILS
IL. RTE. 5 OVER IL. RTE. 84
F.A.P. RTE. 595 - SECTION 5HBR
ROCK ISLAND COUNTY
STATION 623+65.69
S.N. 081-0169