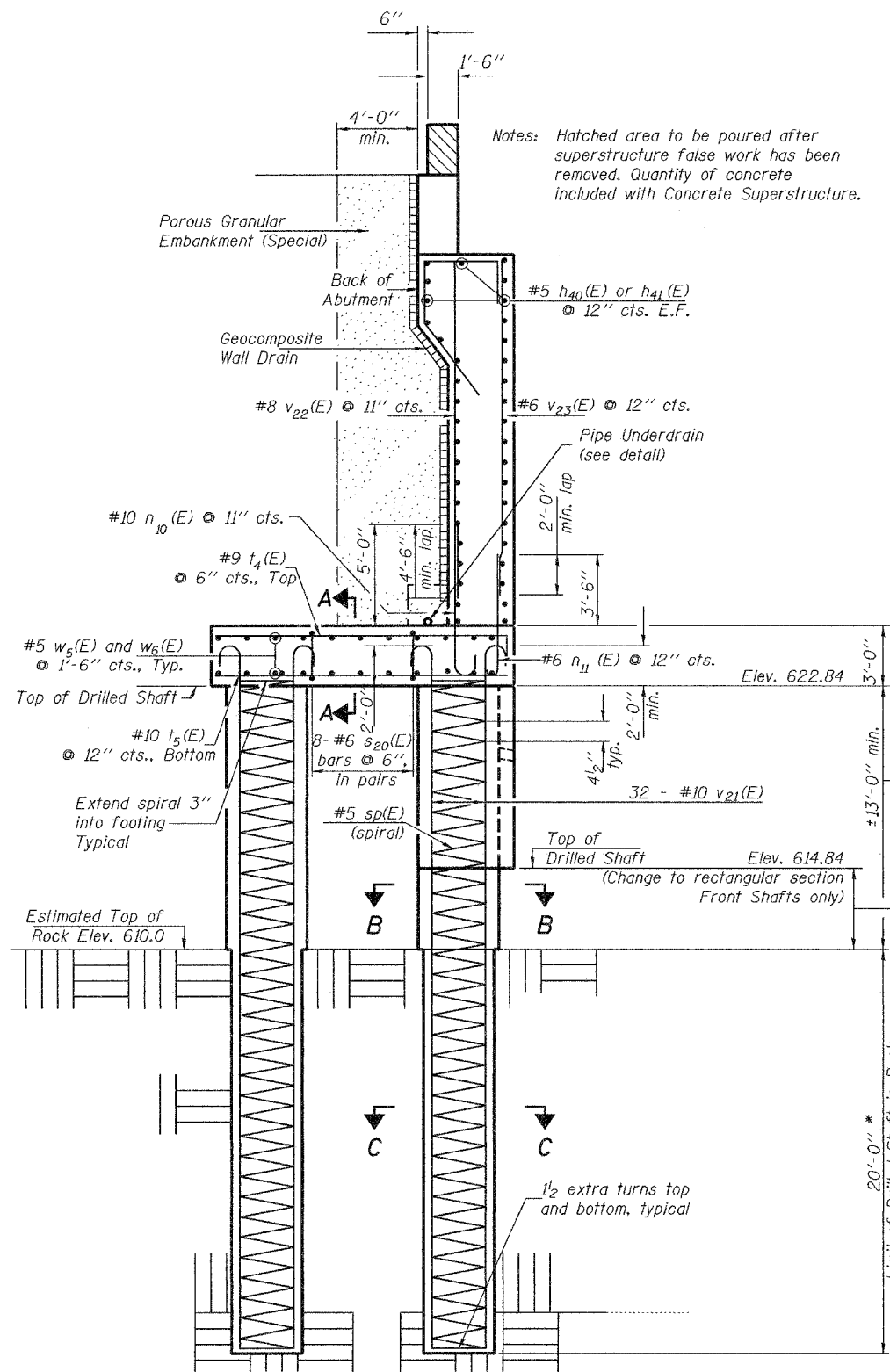


STATE OF ILLINOIS
DEPARTMENT OF TRANSPORTATION

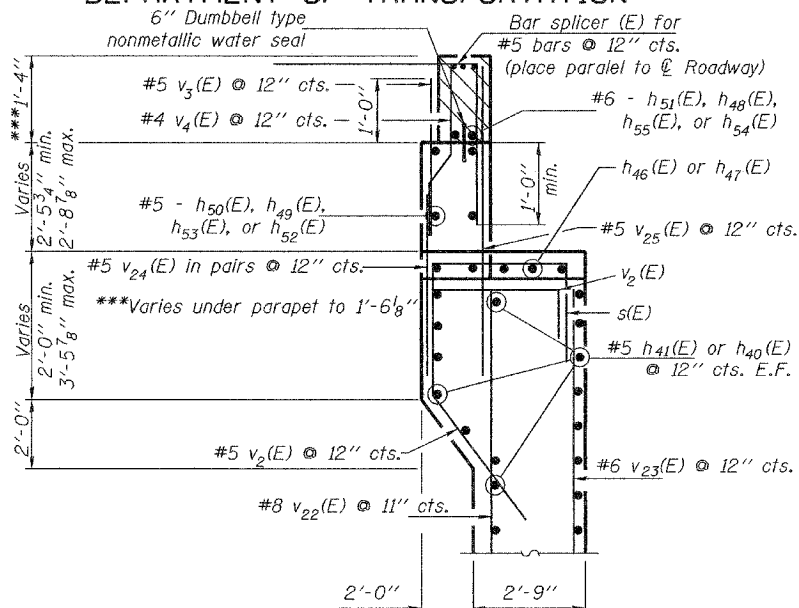
ROUTE NO.	SECTION	COUNTY	TOTAL SHEETS	SHEET NO.
F.A.P. 595	5HBR	Rock Island	139	76
FED. ROAD DIST. NO. 7	B.LINES	FED. AID PROJECT		

SHEET NO. 26
33 SHEETS

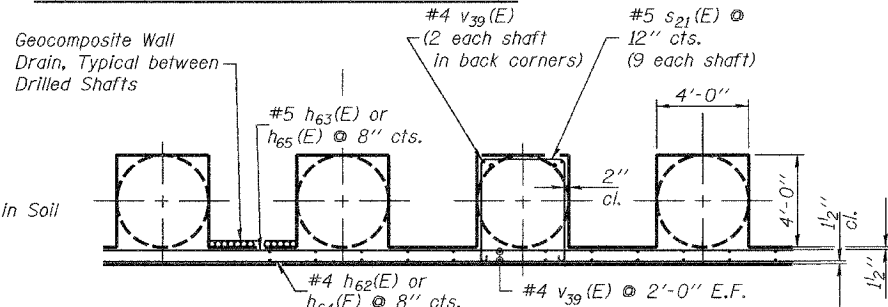
Contract #64931



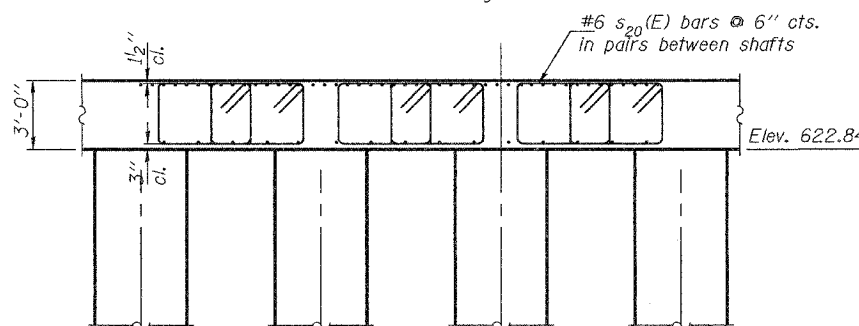
SECTION THRU ABUTMENT



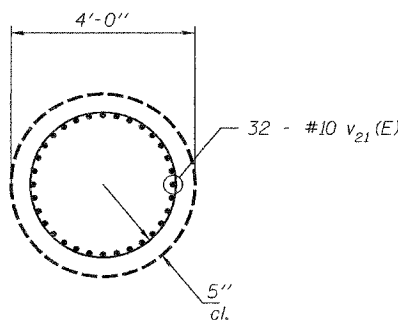
ABUTMENT REINFORCEMENT DETAIL



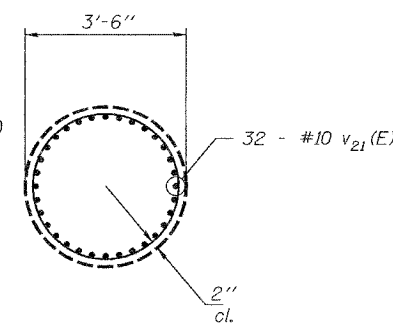
PARTIAL PLAN VIEW OF CUTOFF WALL
(Below Footing)



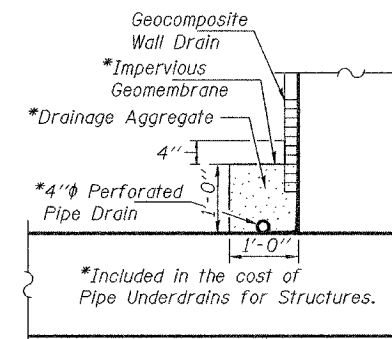
SECTION A-A



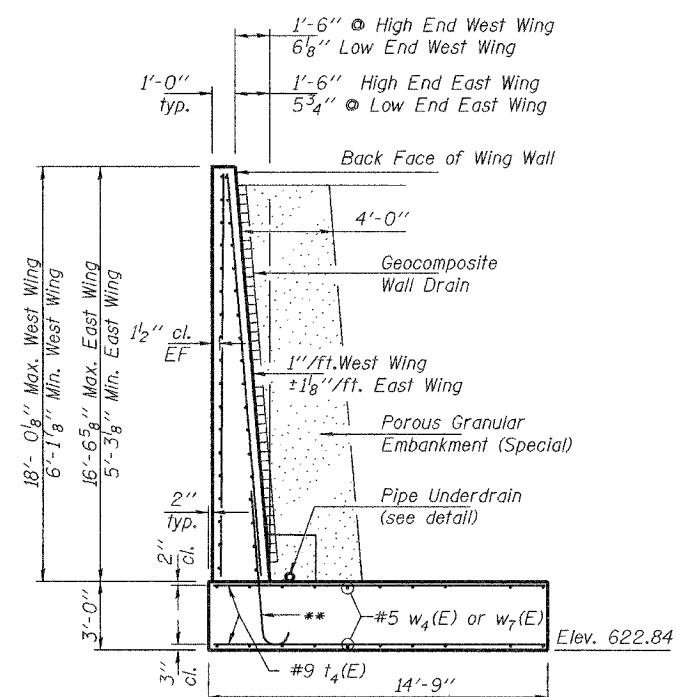
SECTION B-B



SECTION C-C



PIPE UNDERDRAIN



SECTION THRU WINGWALL
(Drilled shafts not shown for clarity)

** #10 n10(E), #6 n12(E) or #8 n13(E)
(see Wing Wall Elevations for stem reinforcement)

DESIGNED	Dewey H. Coultas
CHECKED	Chad E. Hodel
DRAWN	W.D. Collins
CHECKED	D.H.C./C.E.H.

EXAMINED	Thomas J. Damagala	October 5, 2007
PASSED	Ralph E. Anderson	

*Drilled shafts shall be drilled through shale and terminate in the underlying sandstone. Any shaft excavation(s) not reaching sandstone within the 20 ft. plan embedment into rock shall be extended so that the shaft(s) will bear in sandstone.

SOUTH ABUTMENT DETAILS
IL. RTE. 5 OVER IL. RTE. 84
F.A.P. RTE. 595 - SECTION 5HBR
ROCK ISLAND COUNTY
STATION 623+65.69
S.N. 081-0169