

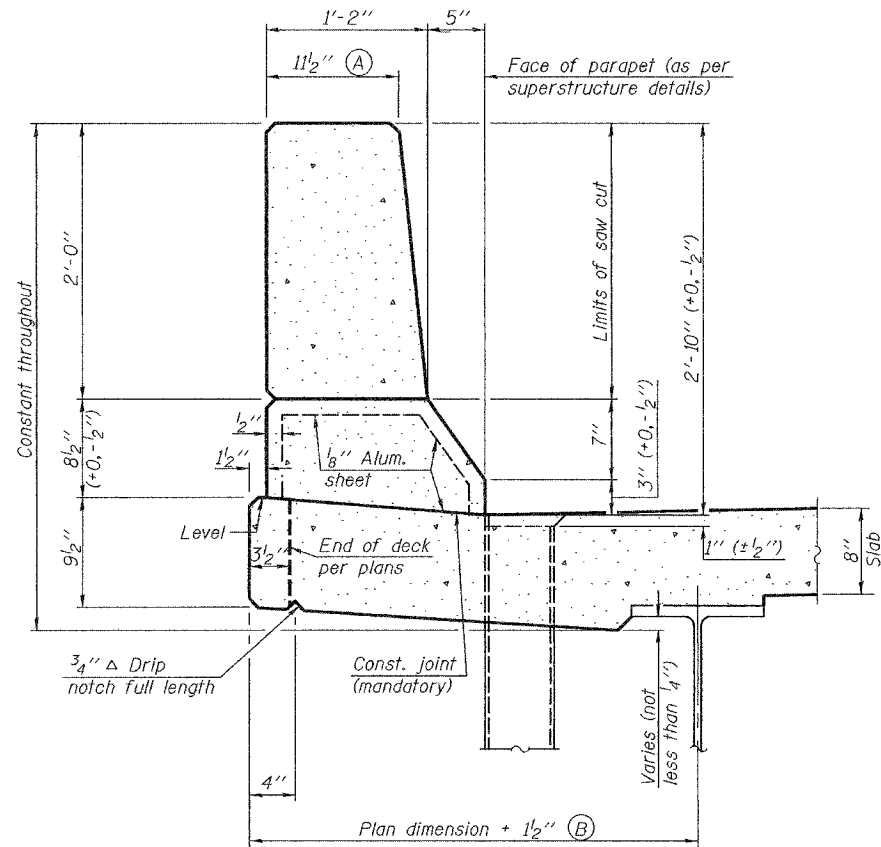
STATE OF ILLINOIS  
DEPARTMENT OF TRANSPORTATION

ROUTE NO.	SECTION	COUNTY	TOTAL SHEETS	SHEET NO.
FAP 595	5HBR	Rock Island	139	82a
FED. ROAD DIST. NO. 7	ILLINOIS	FED. AID PROJECT		

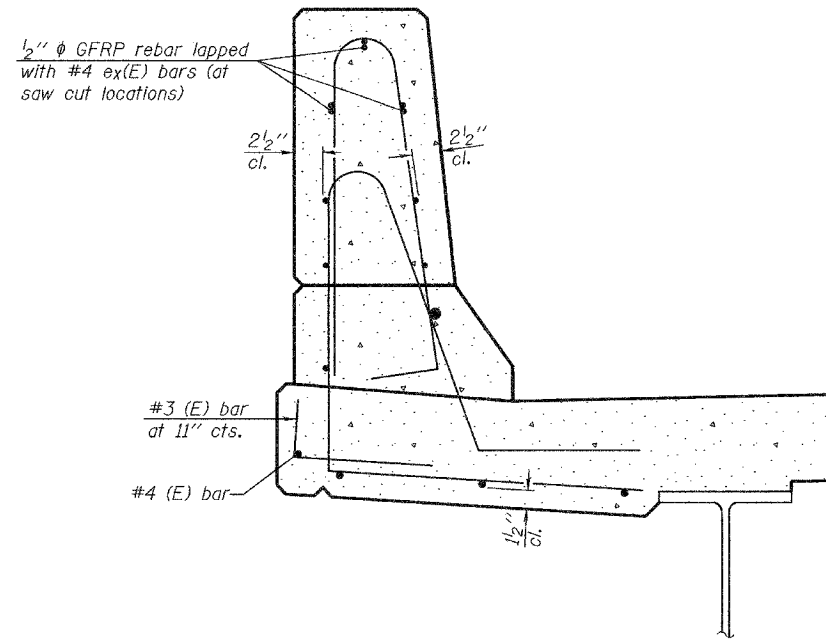
SHEET NO. 32a

33 SHEETS

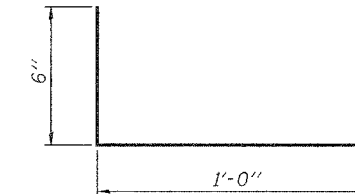
Contract #64931



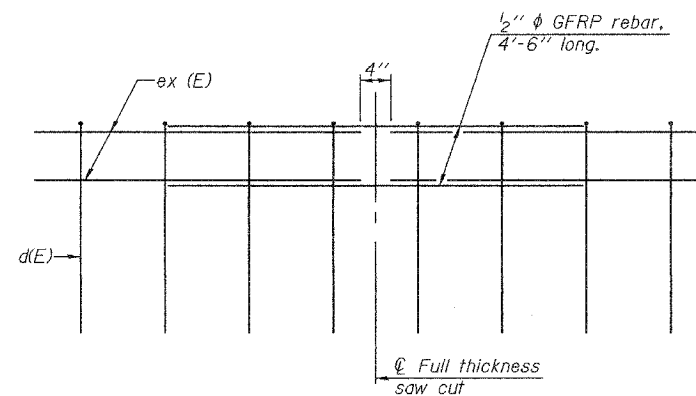
**SECTION**  
(Showing dimensions)



**SECTION**  
(Showing reinforcement clearances for slip forming and additional reinforcement bars)



**#3 (E) BAR**



**GFRP REBAR STIFFENING DETAIL**

(Place as shown in parapet section at each parapet joint location.)

**CONCRETE PARAPET SLIPFORMING OPTION**

IL. RTE. 5 OVER IL. RTE. 84  
F.A.P. RTE. 595 - SECTION 5HBR  
ROCK ISLAND COUNTY  
STATION 623+65.69  
S.N. 081-0169

DESIGNED	Dewey H. Coultas
CHECKED	Chad E. Hodel
DRAWN	W. D. Collins
CHECKED	DHC / CEH

EXAMINED	October 5, 2007	Thomas J. Damagala
PASSED		Ralph E. Anderson

SFP-34 9-3-07