

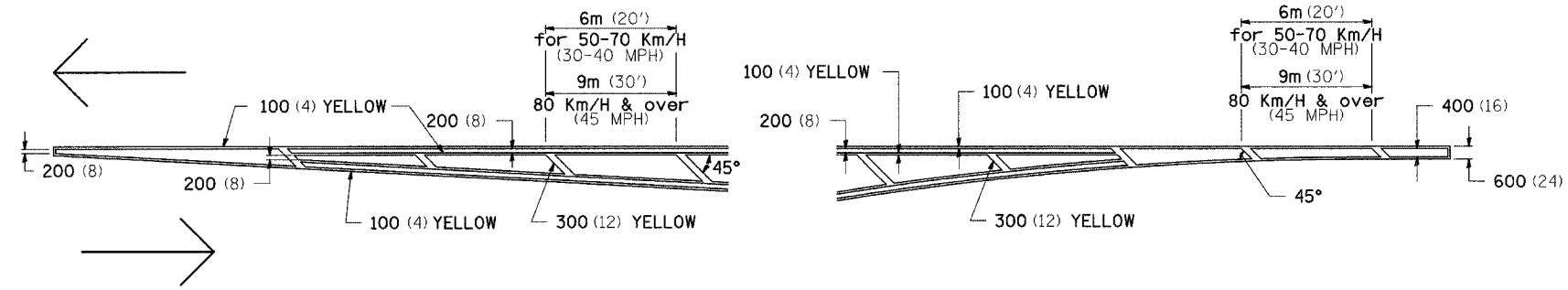
F.A.P. RTE.	SECTION	COUNTY	TOTAL SHEETS	SHEET NO.
*595	5HBR	ROCK ISLAND	139	104

STA.	TO STA.
FED. ROAD DIST. NO.	ILLINOIS FED. AID PROJECT

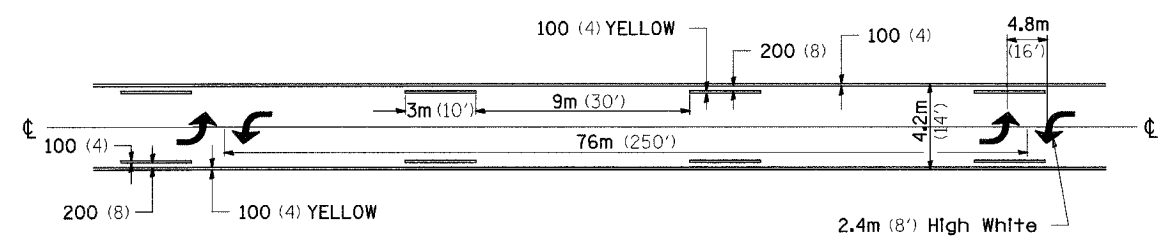
*IL 5/IL 92

TYPICAL PAVEMENT MARKINGS

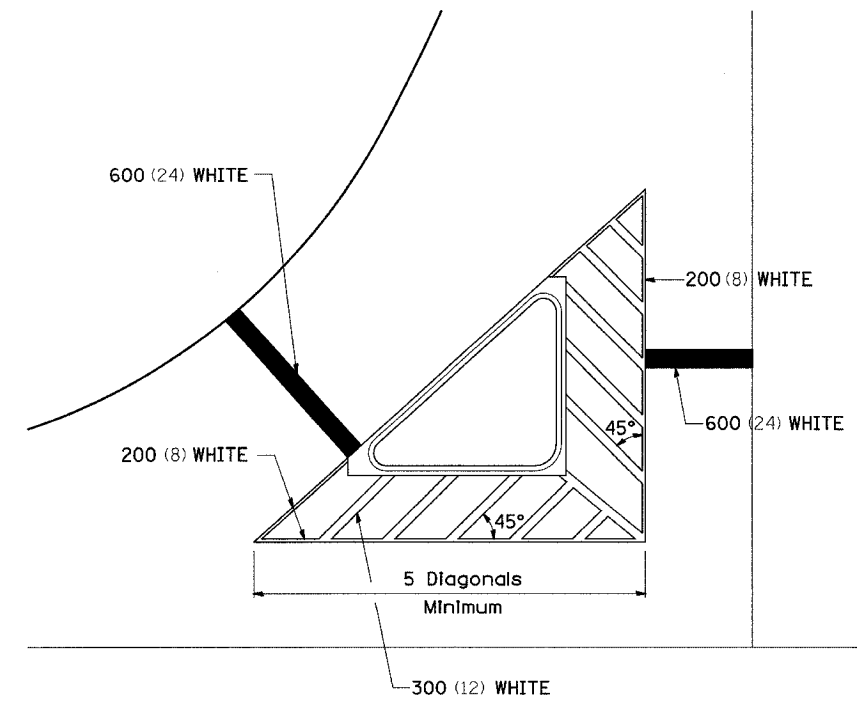
TYPICAL PAVEMENT MARKING FOR FLUSH MEDIAN AT LEFT TURN LANE



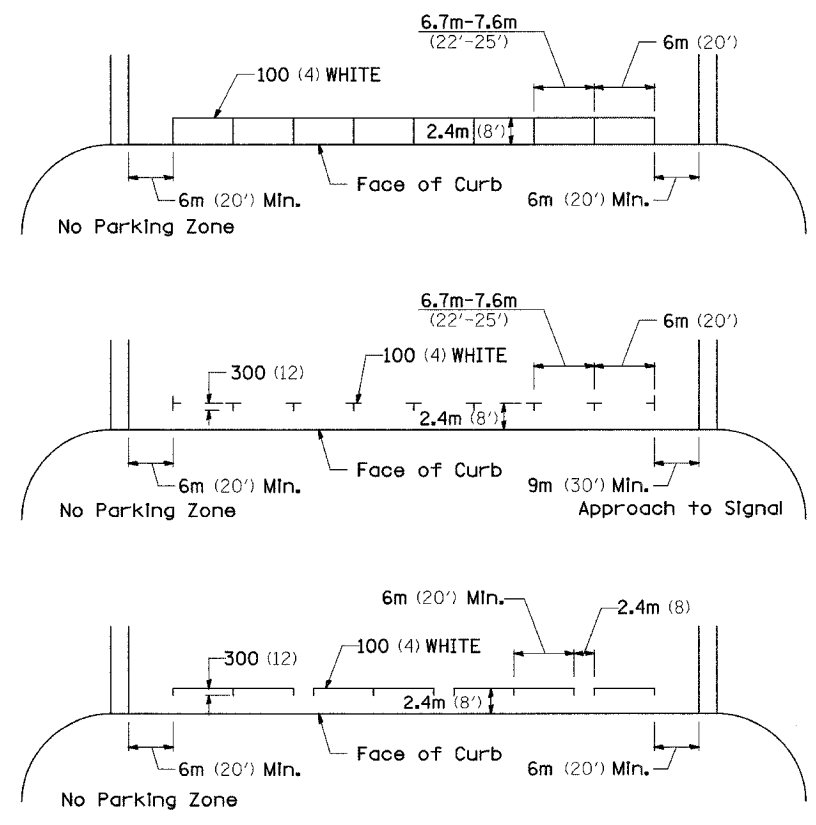
MEDIAN PAVEMENT MARKING



TYPICAL ISLAND OFFSET SHOULDER WIDTH

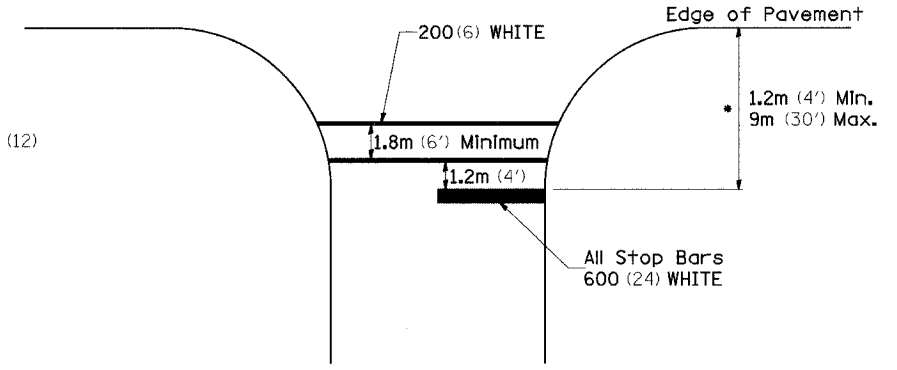


TYPICAL PARKING SPACING



** ALL DIMENSIONS ARE IN MILLIMETERS (INCHES) UNLESS OTHERWISE NOTED.

STANDARD CROSSWALK MARKING
See Schedules for Locations



• Distance to the nearest edge of the intersecting roadway in the absence of a marked crosswalk.

PLOT DATE = Wed Aug 22 13:42:51 2007
FILE NAME = c:\pav\proj\pav\p286283\dr0503.plt
PLOT SCALE = 1/1
REFERENCE = WRE 4