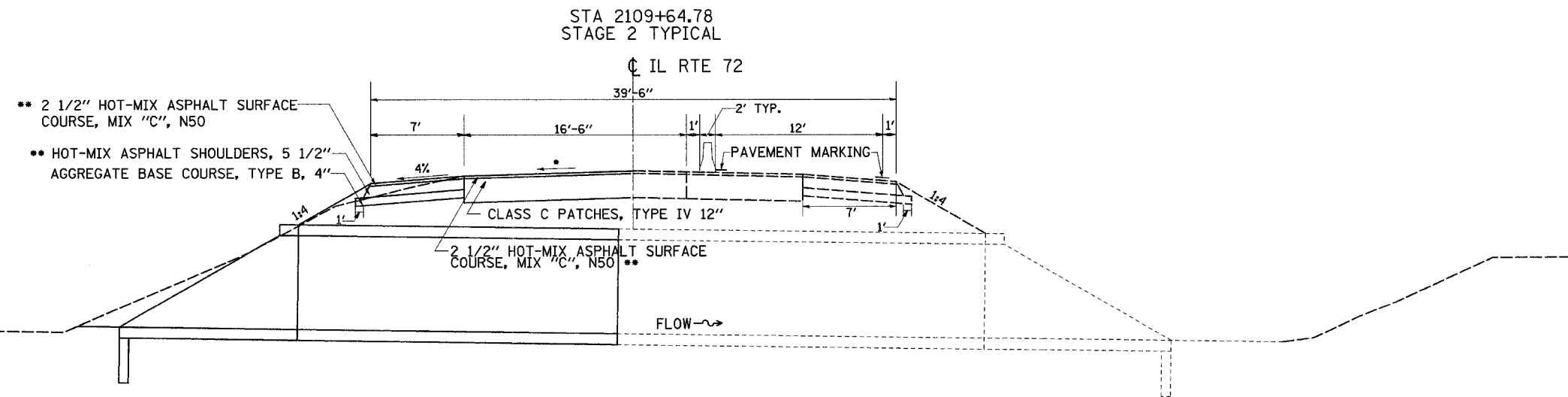
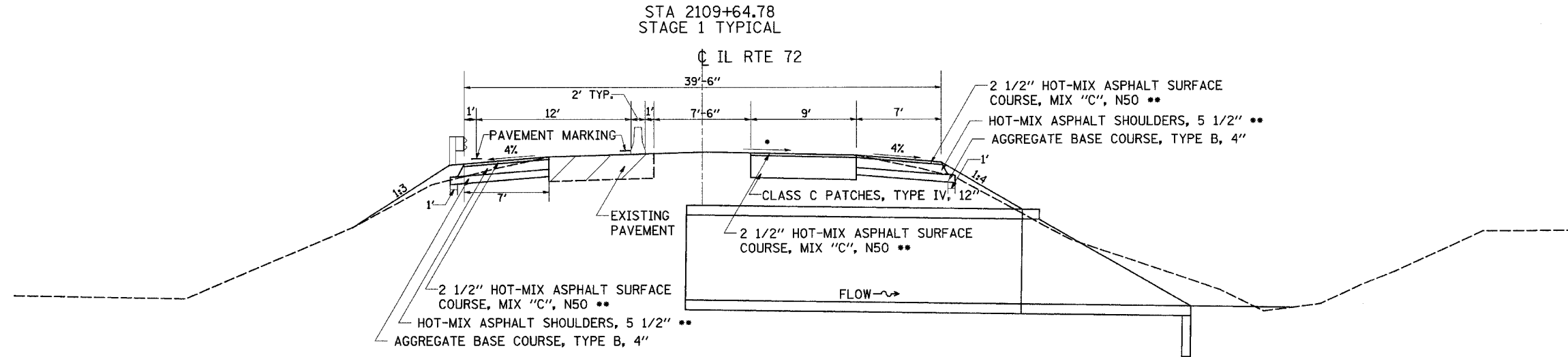


F.A.P. RTE.	SECTION	COUNTY	TOTAL SHEETS	SHEET NO.
553	120T-2	OGL	59	7
STA.		TO STA.		
FED. ROAD DIST. NO.		ILLINOIS	FED. AID PROJECT	

STAGING TYPICALS



- ** 112 LBS/SQ YD/IN
- * MATCH EXISTING

REVISIONS	
NAME	DATE

ILLINOIS DEPARTMENT OF TRANSPORTATION

SCALE: VERT. _____

DATE _____

DRAWN BY _____

CHECKED BY _____

PLOT DATE = Tue Jul 31 08:15:57 2007
 USER = jk
 PLOT SCALE = 1/8" = 1'-0"
 USER NAME = dcmadd