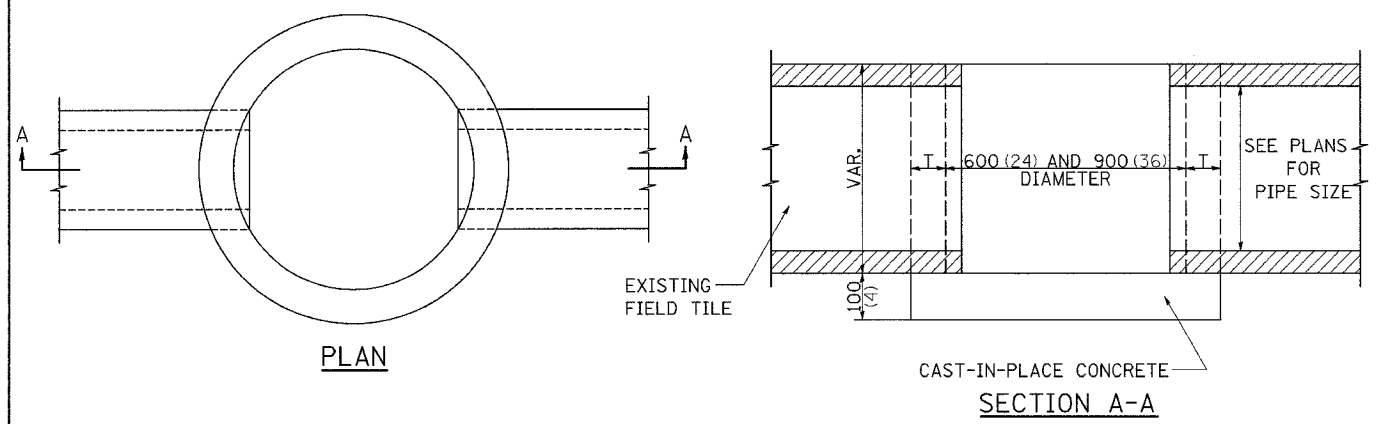
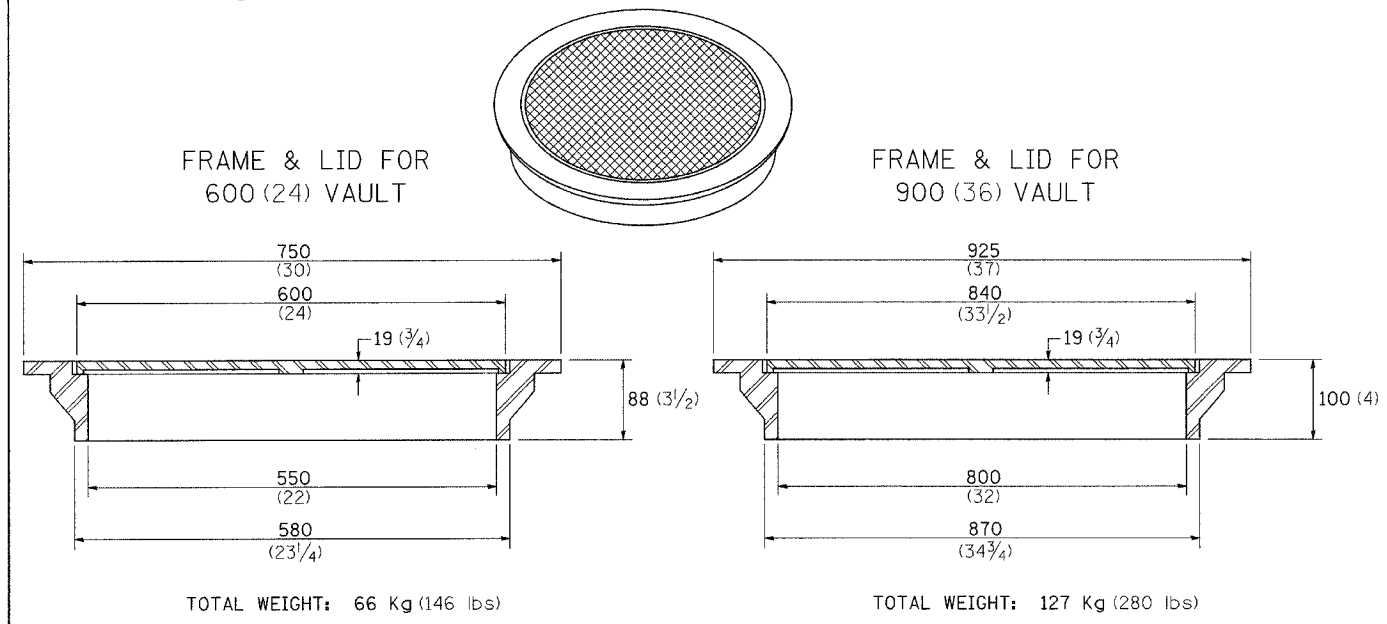


F.A.P. RTE.	SECTION	COUNTY	TOTAL SHEETS	SHEET NO.
553	120T-2	OGLE	59	39
STA.		TO STA.		
FED. ROAD DIST. NO. ILLINOIS FED. AID PROJECT				

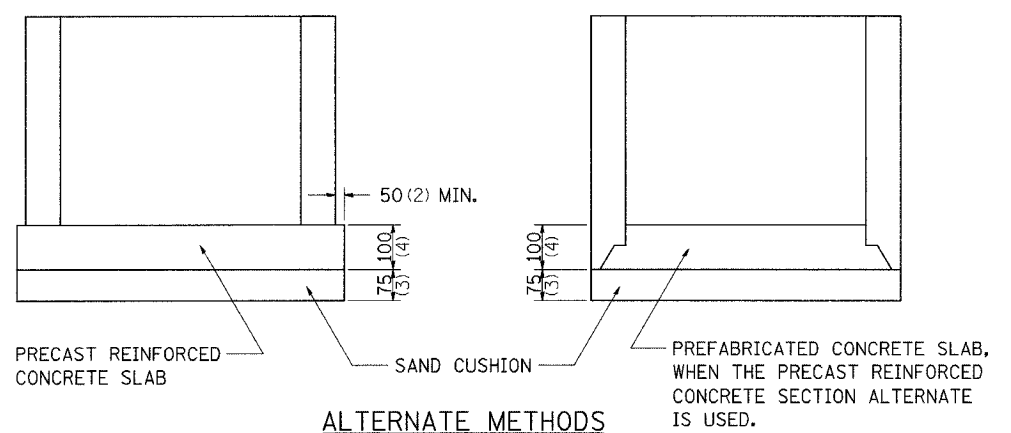
# FIELD TILE JUNCTION VAULTS 600 (24) AND 900 (36) DIA.



ALTERNATE MATERIALS FOR WALLS	T
BRICK MASONRY	200 (8)
CAST-IN-PLACE CONCRETE	150 (6)
CONCRETE MASONRY UNIT	125 (5)
PRECAST REINFORCED CONCRETE SECTION	75 (3)

NOTE: THE FRAME AND LID IS REQUIRED ON ALL JUNCTION VAULTS.

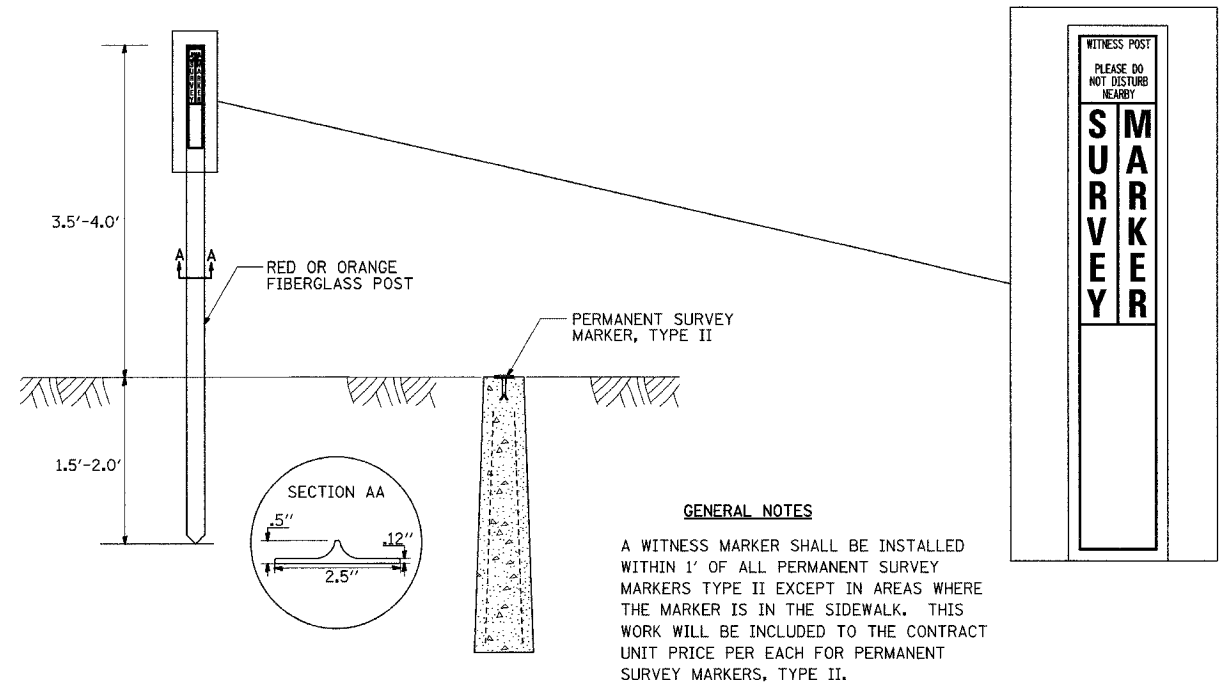
ALL DIMENSIONS ARE IN MILLIMETERS (INCHES) UNLESS OTHERWISE NOTED.



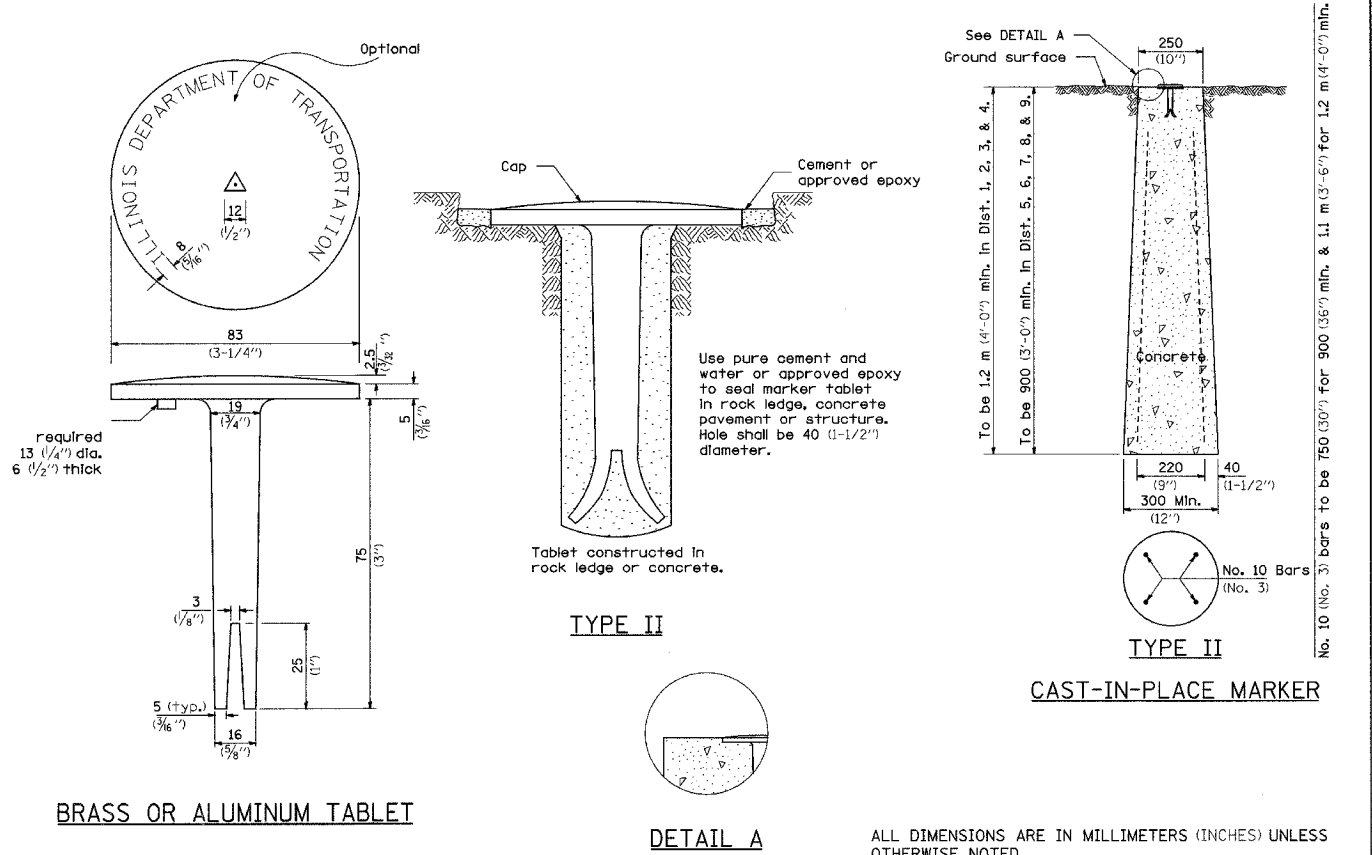
## FIELD TILE JUNCTION VAULTS 600 (24) AND 900 (36) DIA. 30.2

REVISED 5-03-94

# WITNESS MARKER FOR PERMANENT SURVEY MARKERS, TYPE II



# PERMANENT SURVEY MARKERS, TYPE II



ALL DIMENSIONS ARE IN MILLIMETERS (INCHES) UNLESS OTHERWISE NOTED.

## WITNESS MARKER & PERMANENT SURVEY MARKERS, TYPE II 66.2

REVISED 6-26-06

PLOT DATE = Wed Jul 25 09:34:47 2007  
 PLOT SCALE = 50.0000  
 REFERENCE = WREF\$